
TINY LEGO® WONDERS

BUILD 40 SURPRISINGLY REALISTIC MINI-MODELS!



MATTIA ZAMBONI



TINY LEGO® WONDERS

TINY LEGO® WONDERS

BUILD 40 SURPRISINGLY REALISTIC MINI-MODELS!



Mattia Zamboni



Tiny LEGO® Wonders. Copyright © 2016 by Mattia Zamboni.

All rights reserved. No part of this work may be reproduced or transmitted in any form or by any means, electronic or mechanical, including photocopying, recording, or by any information storage or retrieval system, without the prior written permission of the copyright owner and the publisher.

Printed in China
First Printing

20 19 18 17 16 1 2 3 4 5 6 7 8 9

ISBN-10: 1-59327-735-0
ISBN-13: 978-1-59327-735-2

Publisher: William Pollock
Production Editor: Riley Hoffman
Cover Design: Beth Middleworth
Illustrations and Building Instructions: Mattia Zamboni
Developmental Editor: Tyler Ortman
Test Builders: Christian Benito, Eli Slater, and Kyle Witter
Proofreader: Laurel Chun

Chapter scenes created by Ngoc Truong (The Aircraft Carrier), Matteo Russolillo (3, 2, 1, Liftoff! and The Moon Army), and Alexander Bugiel (all others)
Map image courtesy of Graphics Factory CC (<http://www.vectorworldmap.com/>)

For information on distribution, translations, or bulk sales, please contact No Starch Press, Inc. directly:
No Starch Press, Inc.
245 8th Street, San Francisco, CA 94103
phone: 415.863.9900; info@nostarch.com
www.nostarch.com

Library of Congress Cataloging-in-Publication Data:

Names: Zamboni, Mattia.
Title: Tiny LEGO wonders : build 40 surprisingly realistic mini-models! / by Mattia Zamboni.
Description: San Francisco : No Starch Press, [2016]
Identifiers: LCCN 2016004825 (print) | LCCN 2016008301 (ebook) | ISBN 9781593277352 | ISBN 1593277350 | ISBN 9781593277680 (epub) | ISBN 9781593277697 (mobi)
Subjects: LCSH: Motor vehicles--Models. | LEGO toys.
Classification: LCC TL237 .Z36 2016 (print) | LCC TL237 (ebook) | DDC 629.04022/8--dc 3
LC record available at <http://lccn.loc.gov/2016004825>

No Starch Press and the No Starch Press logo are registered trademarks of No Starch Press, Inc. Other product and company names mentioned herein may be the trademarks of their respective owners. Rather than use a trademark symbol with every occurrence of a trademarked name, we are using the names only in an editorial fashion and to the benefit of the trademark owner, with no intention of infringement of the trademark.

LEGO®, MINDSTORMS®, the brick and knob configurations, and the minifigure are trademarks of the LEGO Group, which does not sponsor, authorize, or endorse this book.

The information in this book is distributed on an “As Is” basis, without warranty. While every precaution has been taken in the preparation of this work, neither the author nor No Starch Press, Inc. shall have any liability to any person or entity with respect to any loss or damage caused or alleged to be caused directly or indirectly by the information contained in it.

Production Date: 4/20/2016
Plant & Location: Printed by Everbest Printing (Guangzhou, China), Co. Ltd
Job / Batch #: 66414-0 / 803148

ACKNOWLEDGMENTS

This book is the result of teamwork: several people contributed with great passion, and I would like to heartily thank them all.

I need to start with the biggest contributor to this book, Alexander Bugiel. His dedication has been outstanding. He's shared both his amazing models and the breathtaking dioramas that he designed exclusively for this book. Another big thank you to Matteo Russolillo, who not only shared his models but also translated my ideas for the 3, 2, 1, Liftoff! and Moon Army dioramas into wonderful creations.

I would also like to thank Robert Heim for the cool models he designed for this book—and for his friendship. Thanks to George Panteleon, Liam Bates, Thomas Lockwood, zizy, Peer Kreuger, and Jarek Książczyk for kindly providing their models for this book; and thanks to Ngoc Truong for sharing his amazing aircraft carrier.

Thanks also go to Denis Trofimov, from the MAXScript community, for delivering a fundamental piece of code for my CG scripts; Damien Roux, for very kindly sharing some of his highly detailed CAD bricks; Trevor Sandy, from the LDraw community, for modifying the building instructions software according to my suggestions; Rolf Osterthun, for his help around the LDraw library and its format conversion; Robert Landsdale, for his enthusiasm in supporting his unbeatable conversion software at Okino; Patrick Rota, for improving the productivity of my tool chain with his Python scripts; and Nelson Painco, for sharing his CG expertise and for being the perfect mentor every time I faced major challenges, with this book and my previous books.

I would like to thank the fabulous No Starch Press team for their great cooperation, for believing in my idea, and for giving me so much autonomy.

Thank you to my parents for all their enthusiasm and hard work sorting bricks from huge BrickLink orders, and to Leonardo, my son, for his valuable feedback on the models and building instructions. Thanks to Luna and Giordano, my two younger kids, for giving me strength with their smiles.

Finally, none of this would have been possible without the best wife I could ever wish for, Fabiola, who actively supported me in this new project, allowing me once more to follow my passion.

Thank you all!



CONTENTS

ABOUT THIS BOOK	1	THE RACE TRACK	102
		McLaren F1	104
THE TRAIN STATION	2	Ferrari F1	108
Swiss Locomotive	4	Safety Car	112
InterCity Express	8	THE HARBOR	116
TGV Bullet Train	16	Bulk Carrier	118
Touring Coach.....	24	Freighter.....	124
		Cruise Ship.....	130
THE AIRPORT	28	Wooden Ships.....	136
Airbus A380.....	30	THE AIRCRAFT CARRIER	140
Airbus Super Transporter	34	Black Hawk.....	142
Supermarine Spitfire	40	F-15 Eagle	146
Rescue Chopper	44	V-22 Osprey	150
		3, 2, 1, LIFTOFF!	154
FIRE!	48	Space Shuttle.....	156
Fire Engine	50	Crawler-Transporter	160
Police Car	54	THE MOON ARMY	170
Bucket Truck.....	58	Armored Car	172
		Rocket Launcher Truck	176
THE CONSTRUCTION SITE	62	Military Flatbed	180
Double Dump Truck	64	Tactical Vehicle.....	184
Flatbed Hauler.....	68	Armored Personnel Carrier.....	188
Excavator.....	72	Mini Jeeps	192
Cement Mixer	76	CONTRIBUTORS	196
		ABOUT THE AUTHOR	199
THE CAR DEALER	80		
Sports Car	82		
Fastback.....	86		
Lowrider	90		
Muscle Car	94		
Family Car	98		



ABOUT THIS BOOK

Bigger isn't always better . . .

This book aims to collect the finest tiny, but detailed, LEGO models created by some of the best model designers worldwide. Most of them are reproductions of vehicles that exist in real life—but even at this small scale, they are instantly recognizable.

Building in small scale can be very challenging and sometimes, in order to get the perfect shape, compromises need to be made. However, this book presents models that are fun to play with and even have working features!

This book, by providing step-by-step instructions for all the models, will help you to discover the tricks of building in small scale while still including lots of detail. Get ready to unleash your creativity and to start building armies of . . . *Tiny LEGO Wonders!*

For resources and bonus material, visit the book's website at www.nostarch.com/tinylegowonders.

WHAT YOU NEED

Besides LEGO bricks, the only two things you need in order to use this book are enthusiasm and ingenuity.

You probably won't have all the bricks for every model, but that's perfectly normal. Just be creative—build the model in a different color or try another workaround!

If you need to buy individual bricks, you have several options:

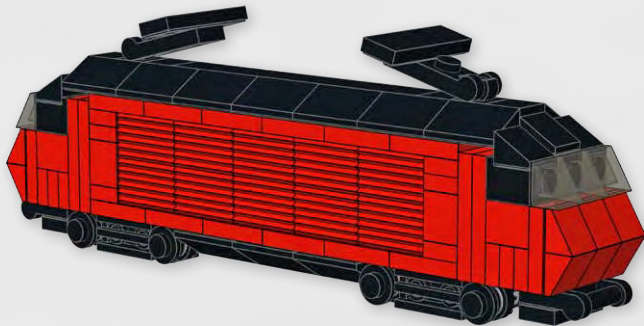
- » The official LEGO website (<http://shop.lego.com/en-US/Pick-A-Brick-ByTheme>)
- » BrickLink (www.bricklink.com), a comprehensive international marketplace for buying new and used bricks
- » Brick Owl (www.brickowl.com), a website that sells single bricks
- » eBay or your favorite auction site



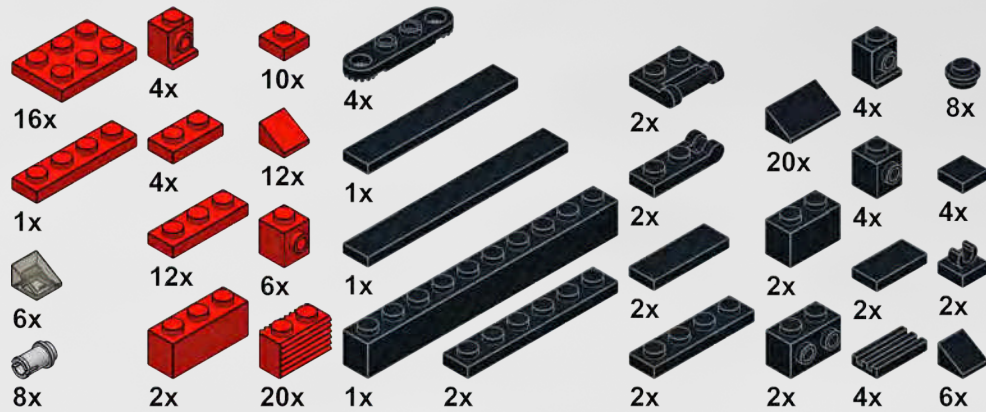




THE TRAIN STATION



BILL OF MATERIALS



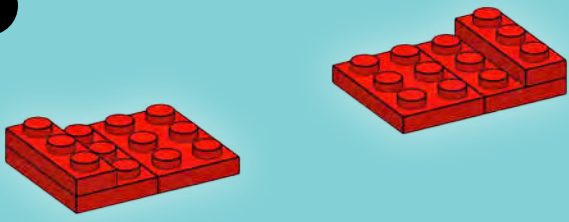
DIFFICULTY LEVEL: MEDIUM

SWISS LOCOMOTIVE

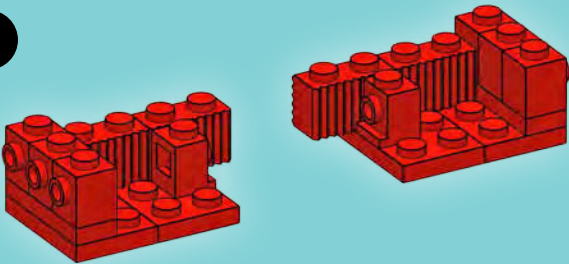
Mattia Zamboni



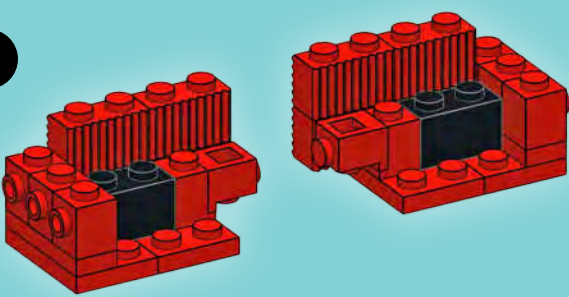
1



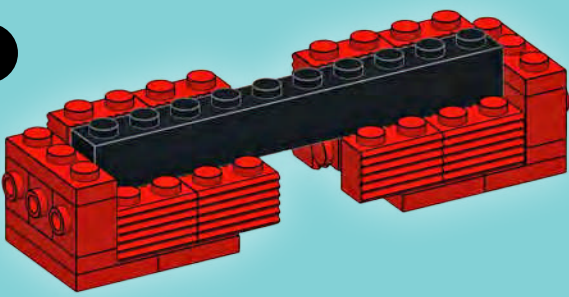
2



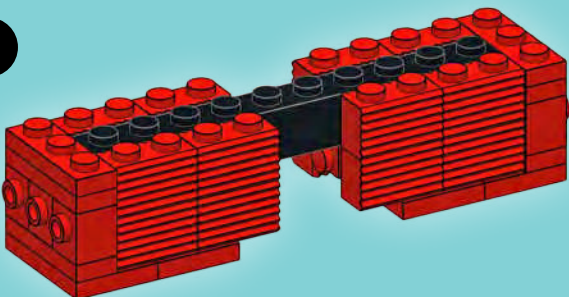
3



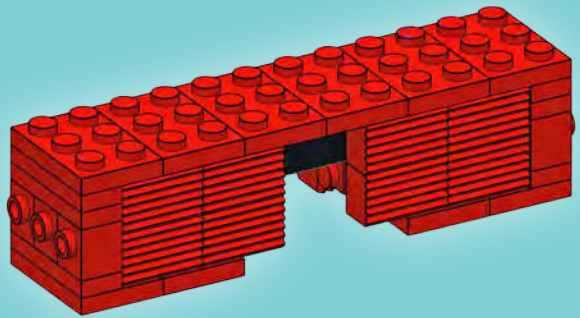
4



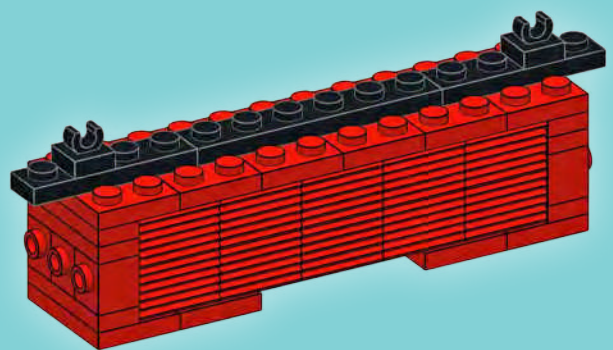
5



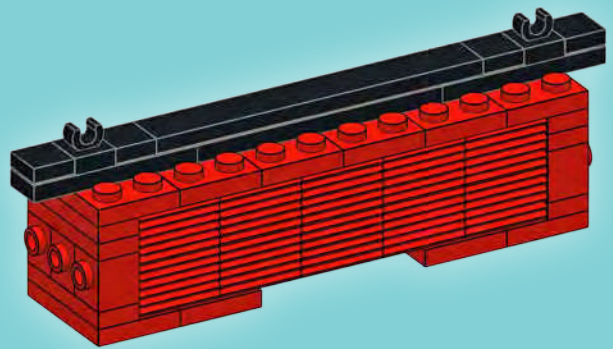
6



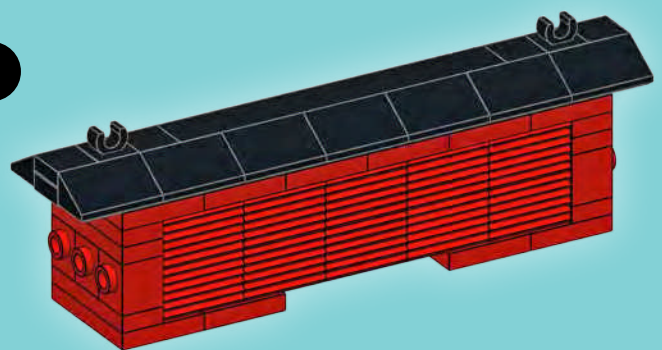
7



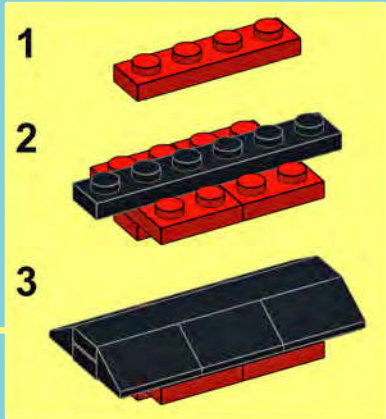
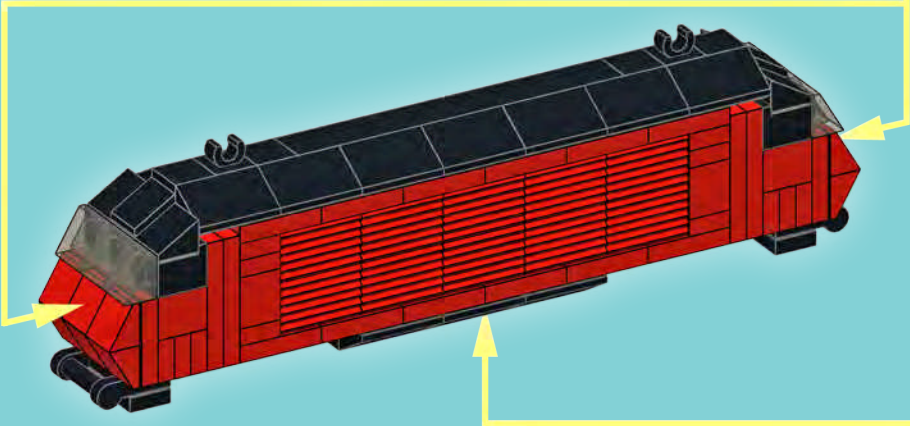
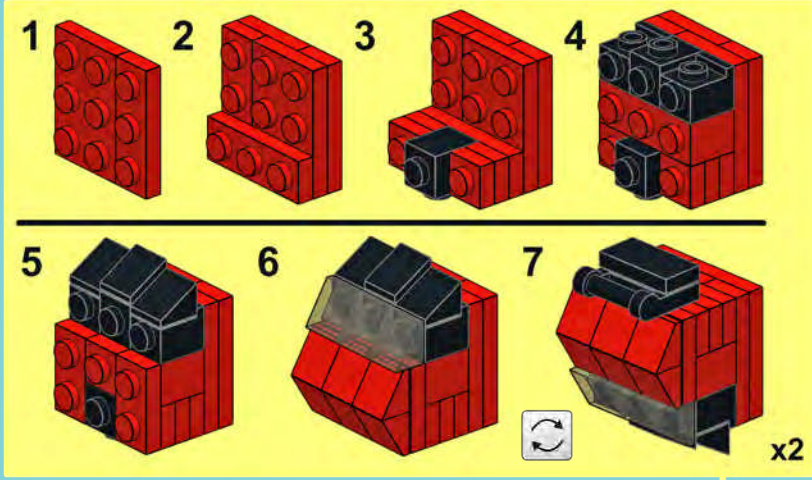
8



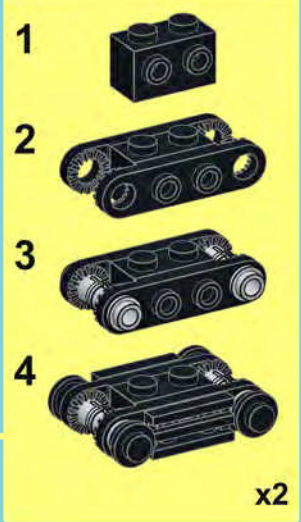
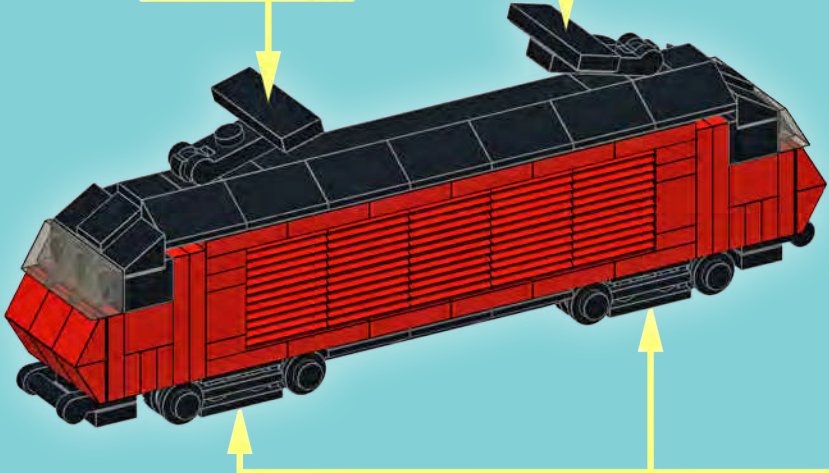
9



10



11



INTERCITY EXPRESS

Mattia Zamboni





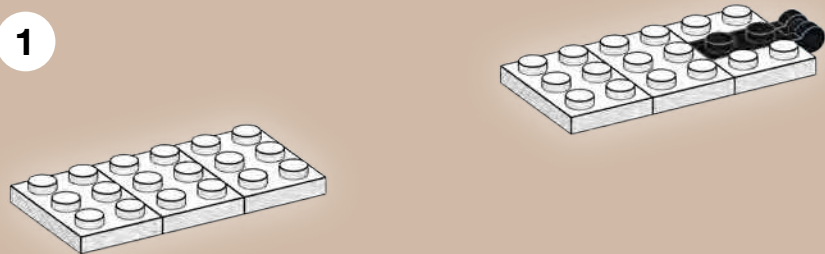
BILL OF MATERIALS

4x	62x	18x	2x	4x	4x	26x	2x
4x	6x	4x	4x	2x	2x	4x	8x
10x	11x	24x	4x	2x	12x	4x	4x
28x	4x	6x	8x	4x	2x	2x	2x
5x	10x	2x	4x	2x	1x	8x	8x
4x	8x	6x	4x	2x	6x	12x	12x
2x	4x	2x	4x	4x	6x	8x	8x
1x	2x	16x	8x	8x	2x	6x	6x
20x	8x	8x	8x	8x	2x	2x	2x

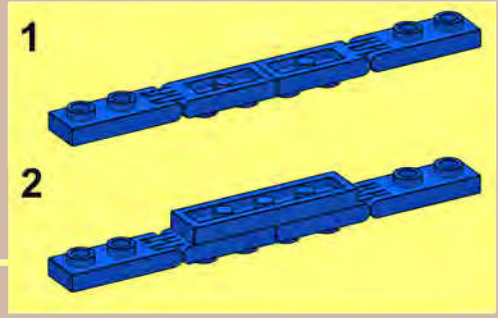
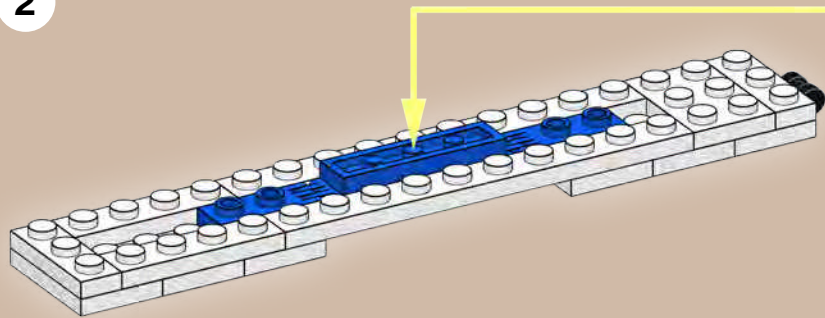
DIFFICULTY LEVEL: MEDIUM

1

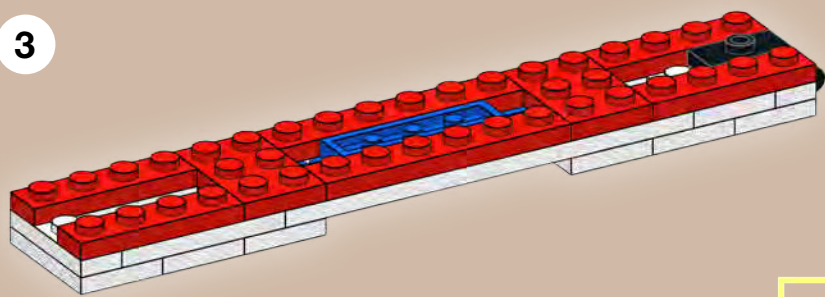
1



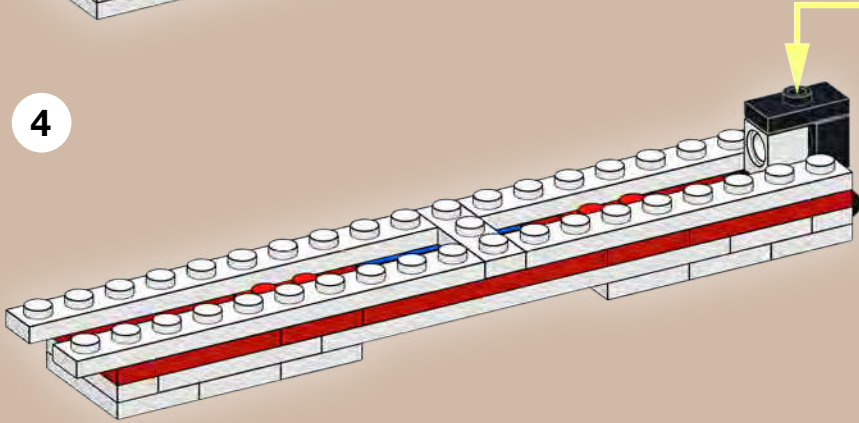
2



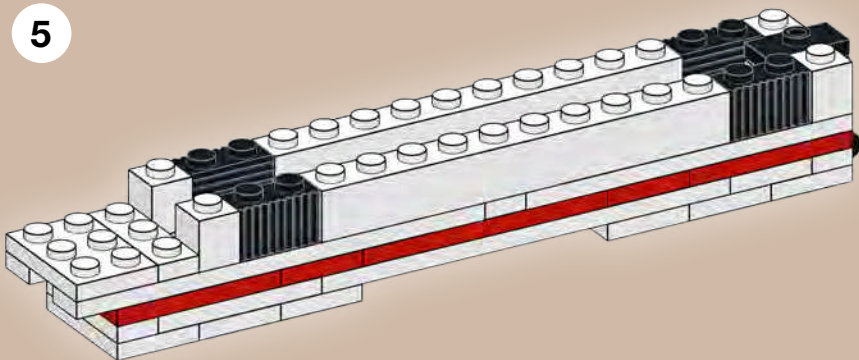
3



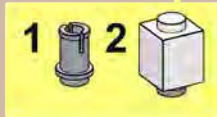
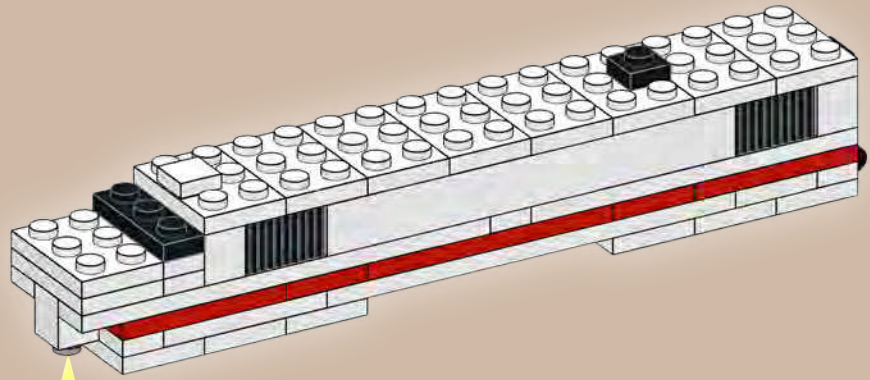
4



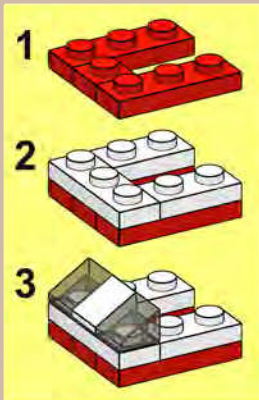
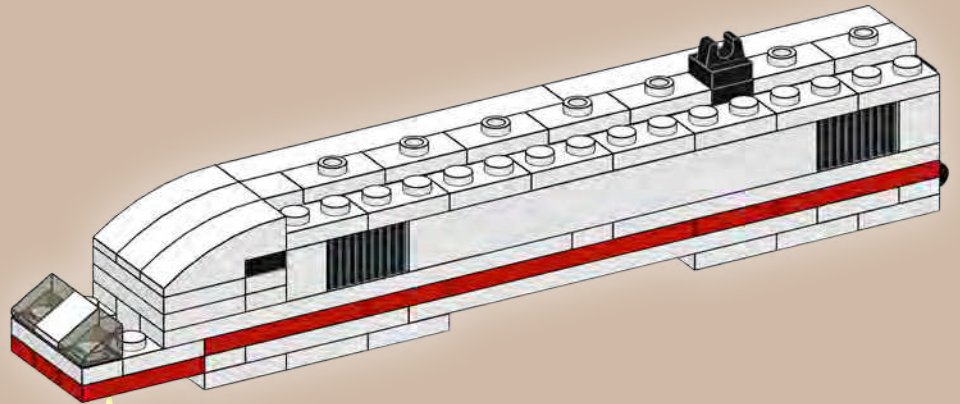
5



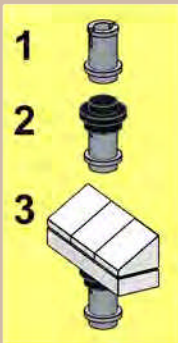
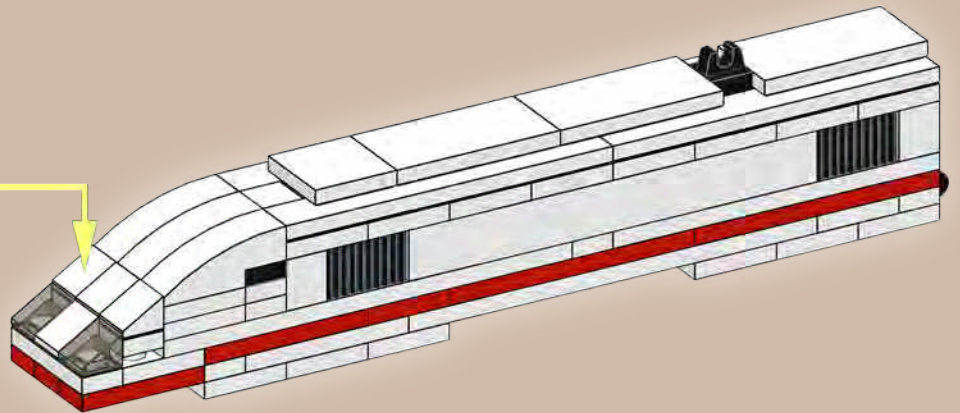
6



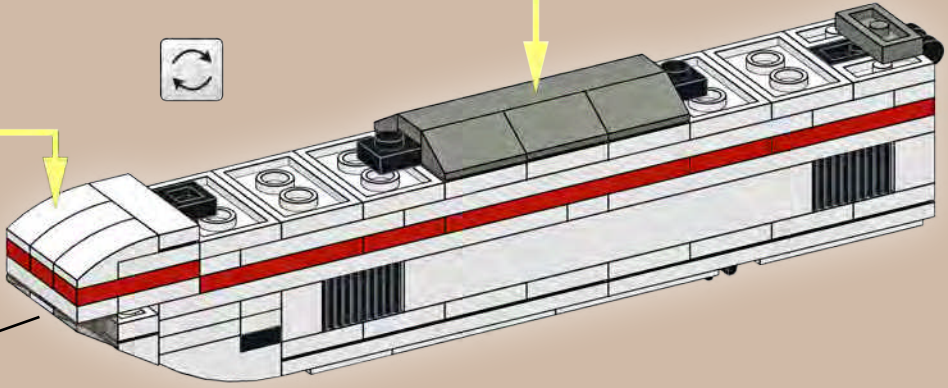
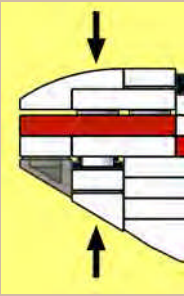
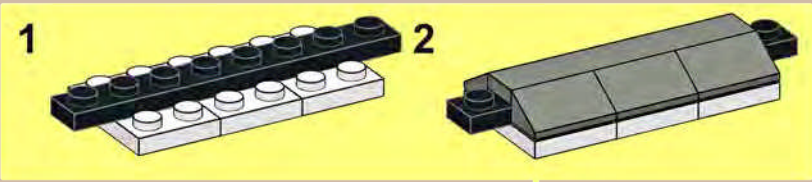
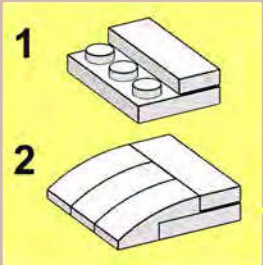
7



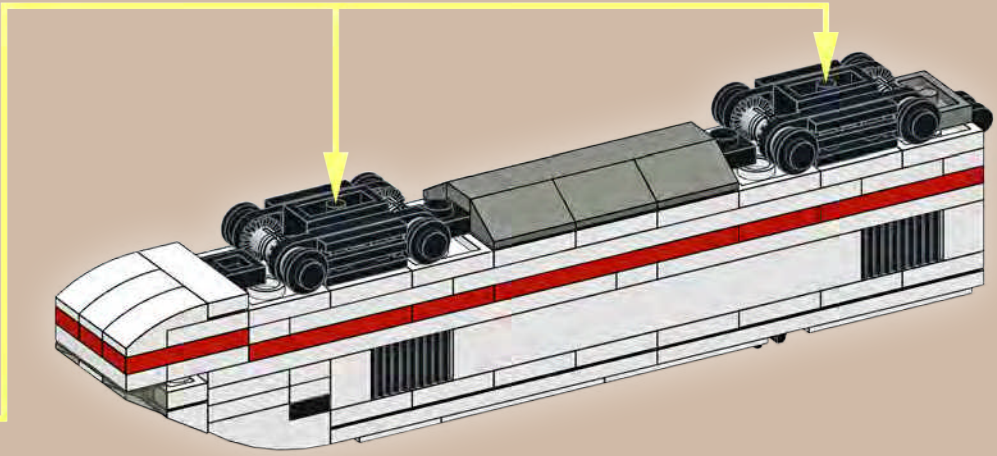
8



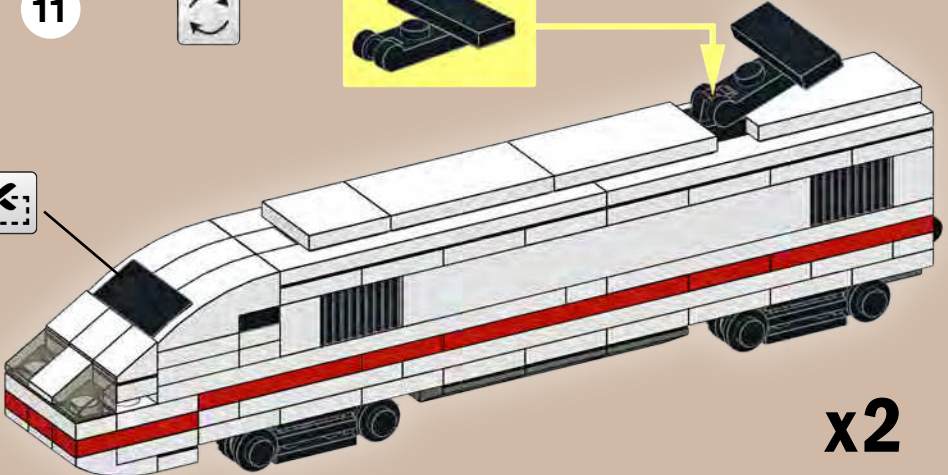
9



10



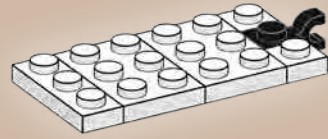
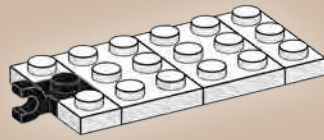
11



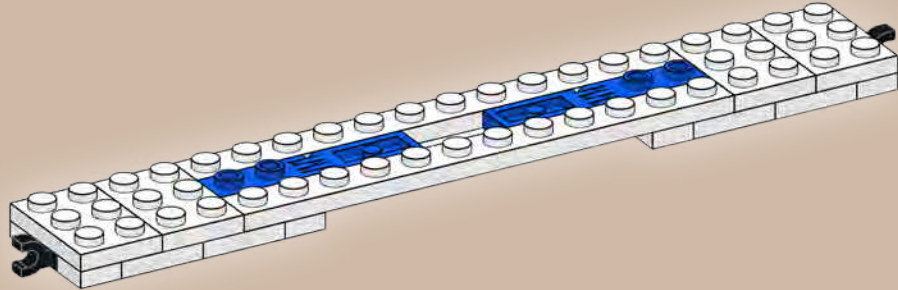
x2

2

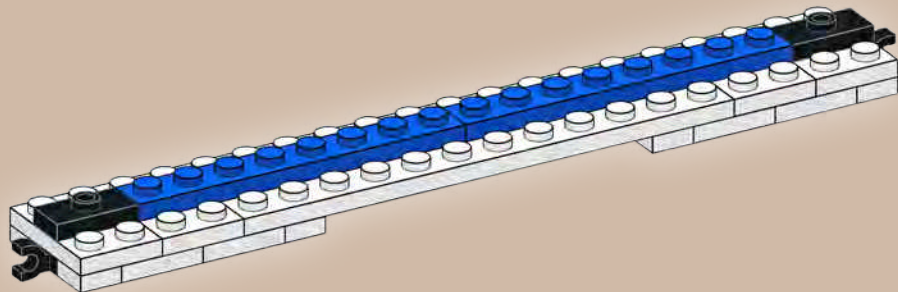
1



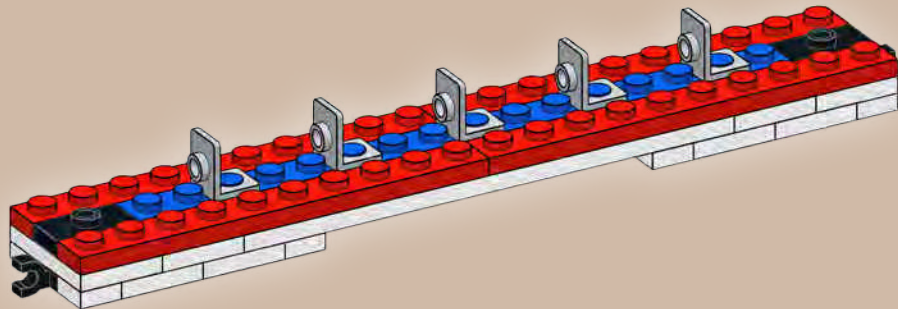
2



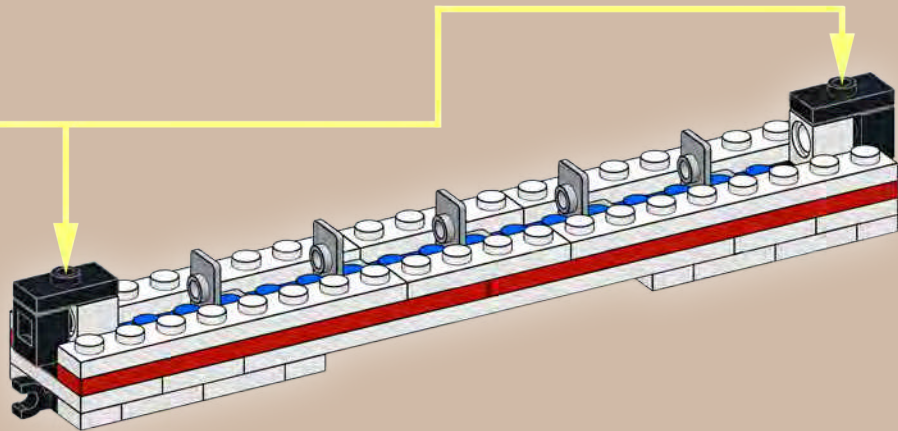
3



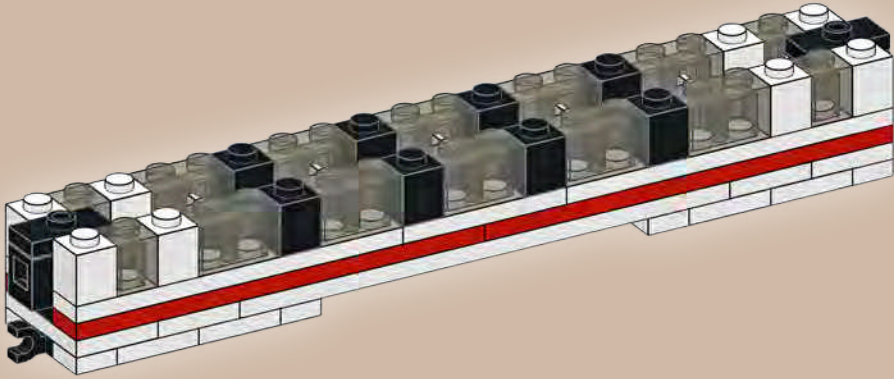
4



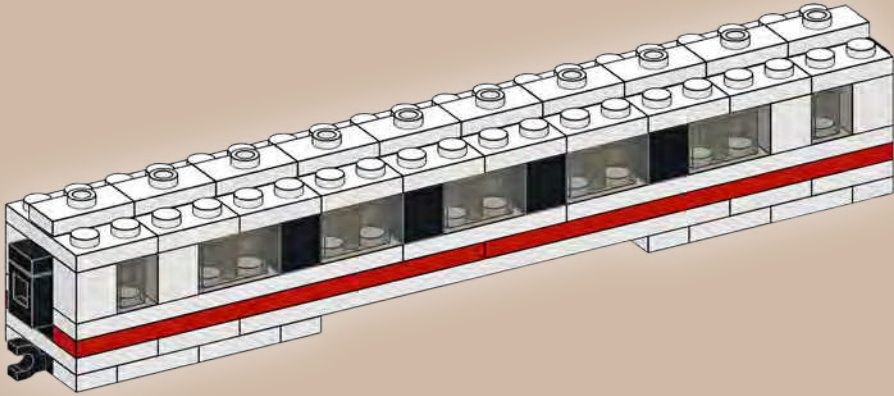
5



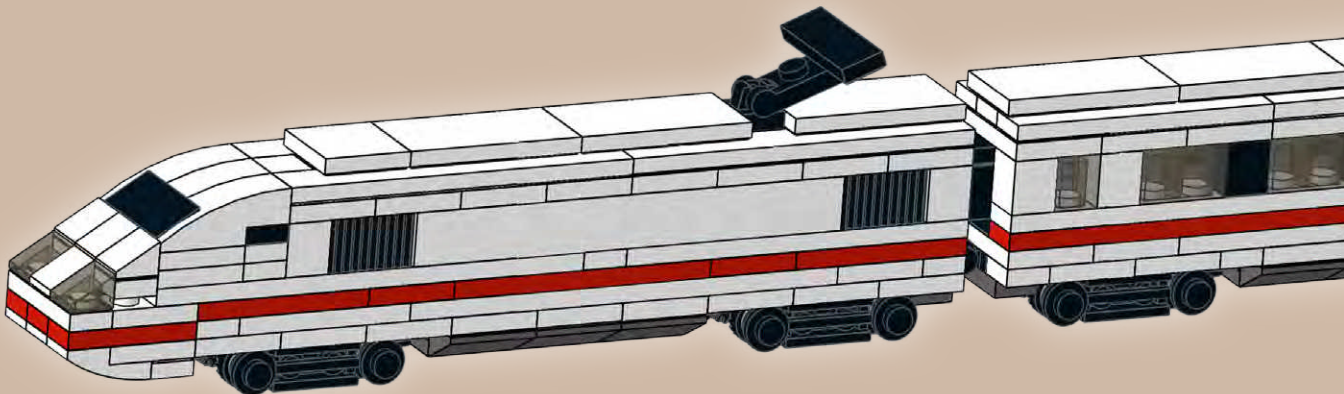
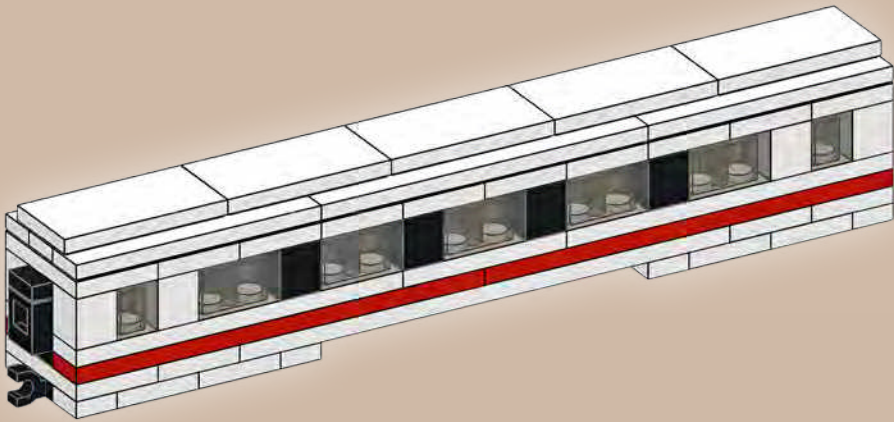
6



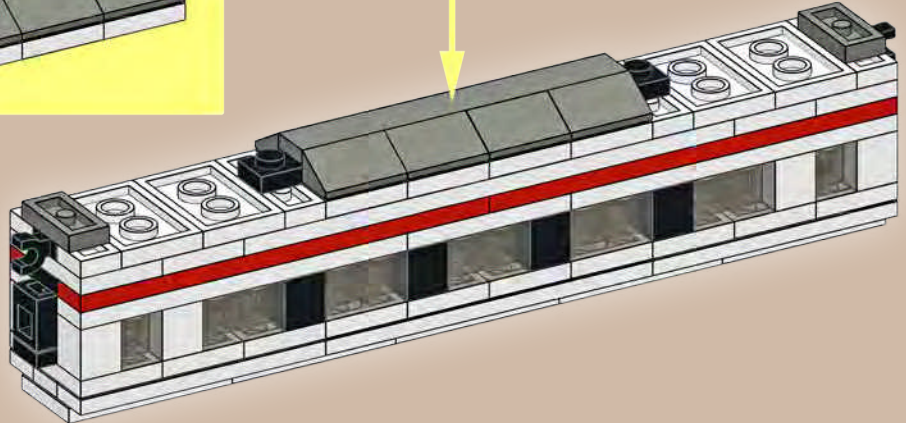
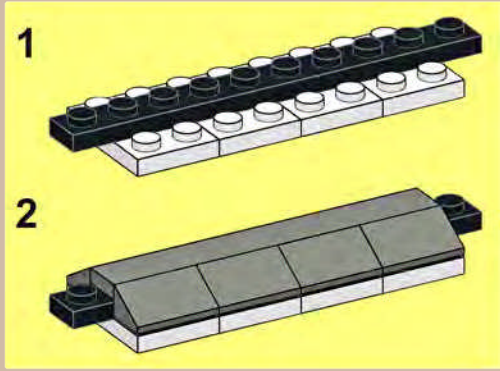
7



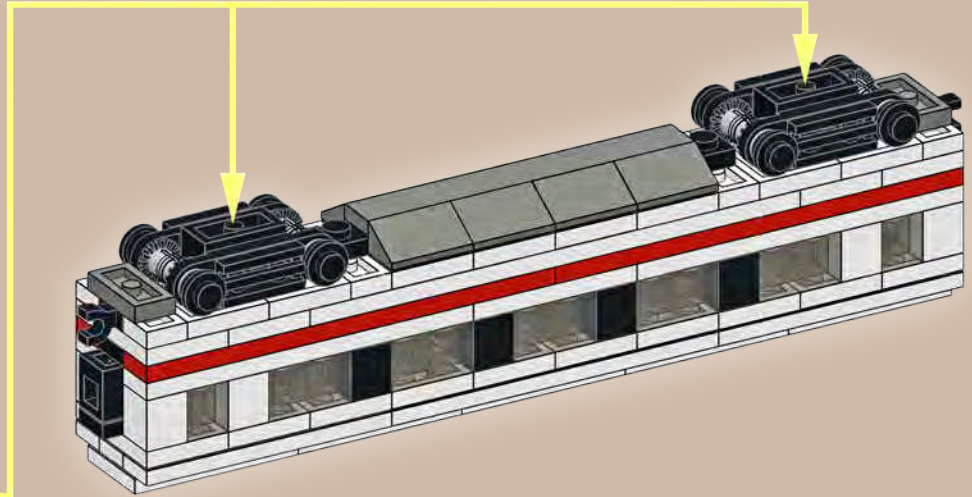
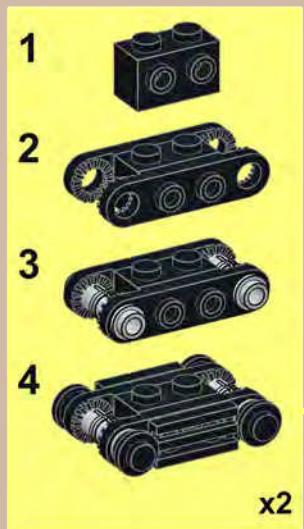
8



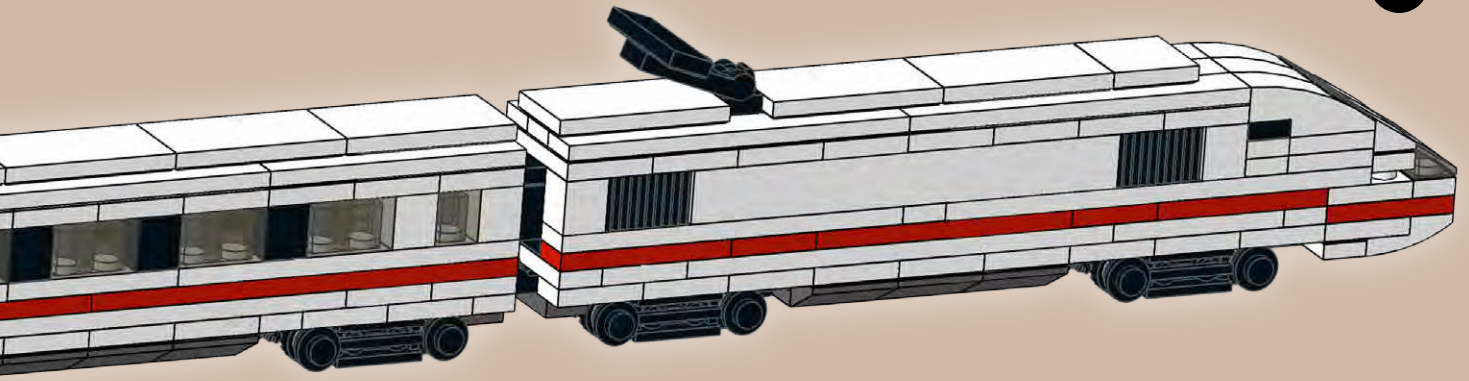
9



10

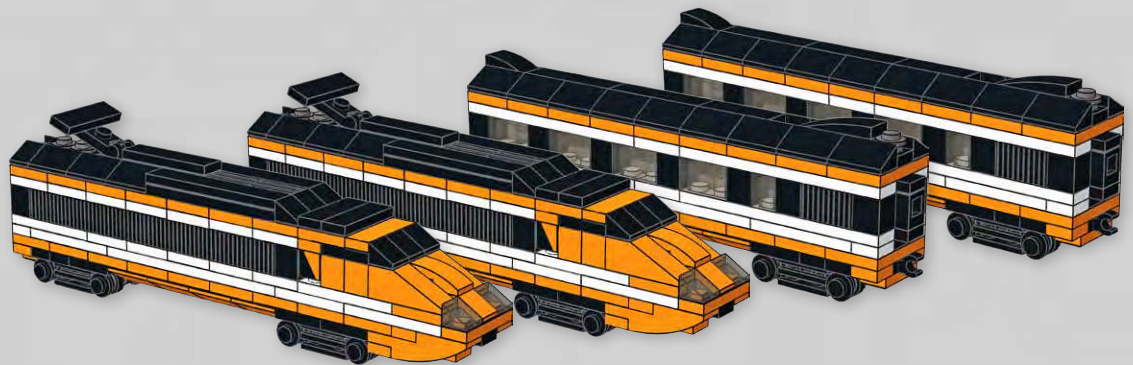


3






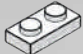






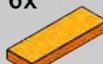


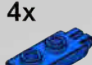




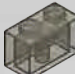

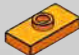

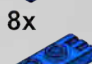
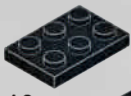







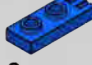







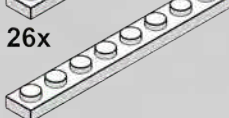




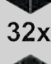

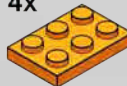







TGV BULLET TRAIN

Mattia Zamboni





BILL OF MATERIALS

								
4x	6x	4x	12x	12x	14x	2x	28x	
								
4x	2x	4x	4x	4x	4x	7x	4x	10x
								
16x	10x	4x	22x	8x	2x	2x	28x	2x
								
28x	4x	4x	26x	8x	10x	2x	18x	20x
								
2x	4x	36x	24x	12x	6x	4x	14x	32x
								
6x	72x	2x	14x	6x	10x	8x	48x	6x

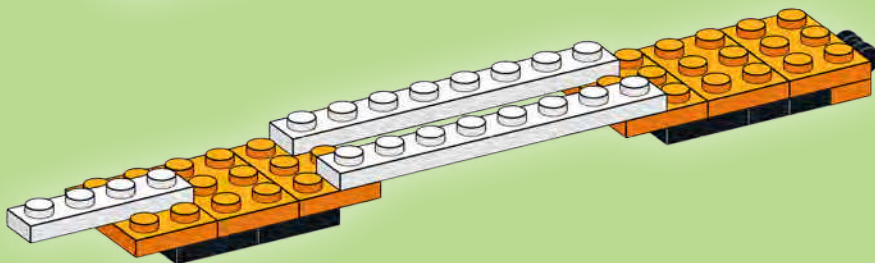
DIFFICULTY LEVEL: MEDIUM

1

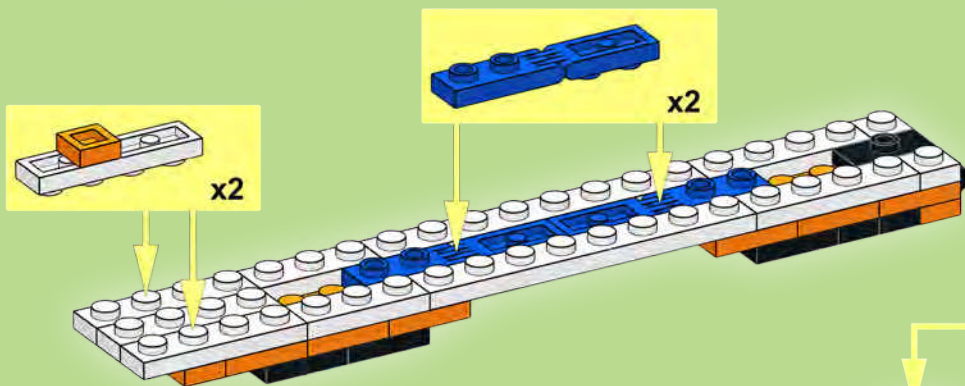
1



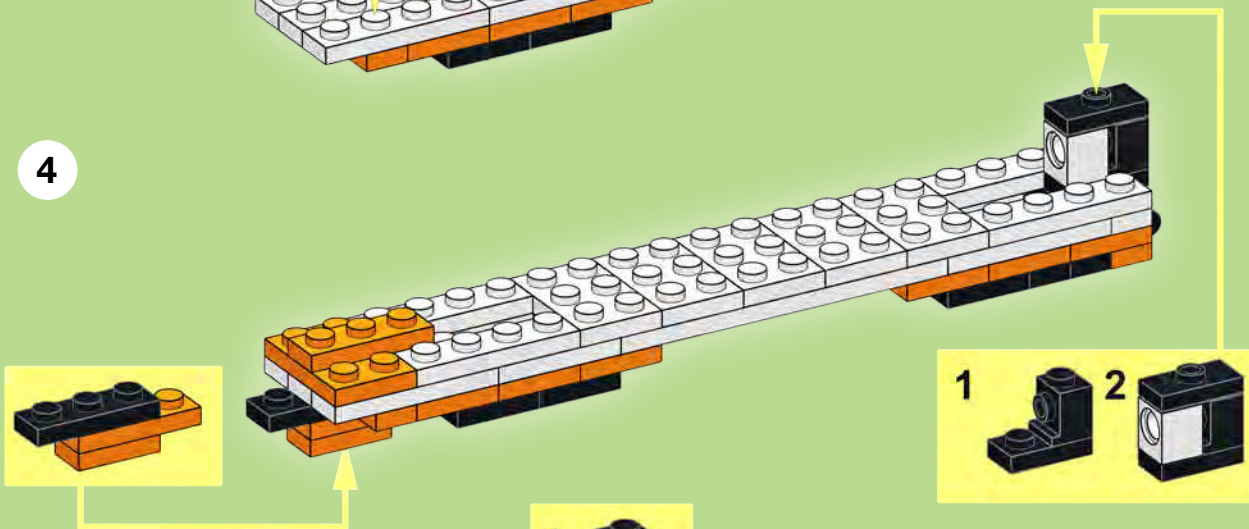
2



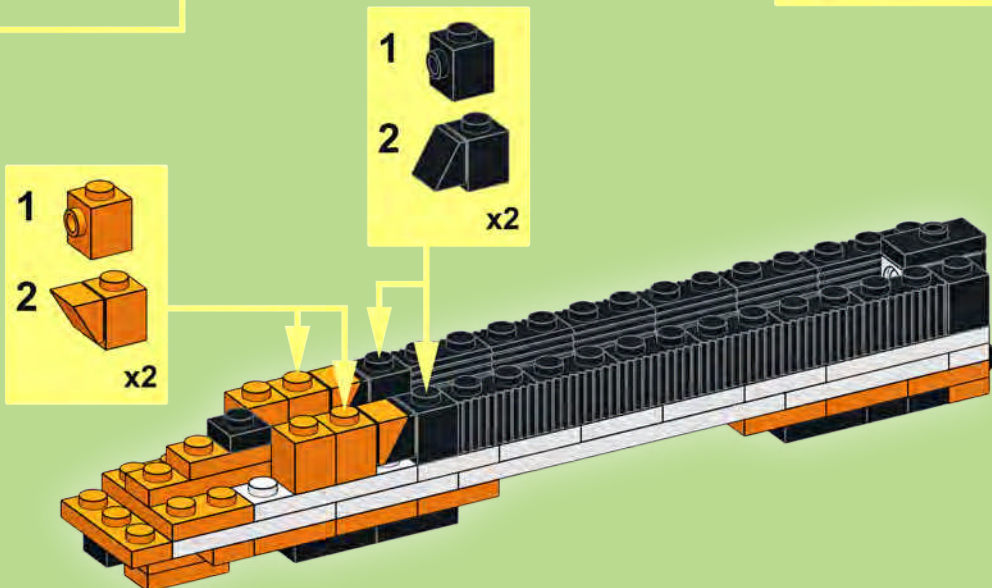
3



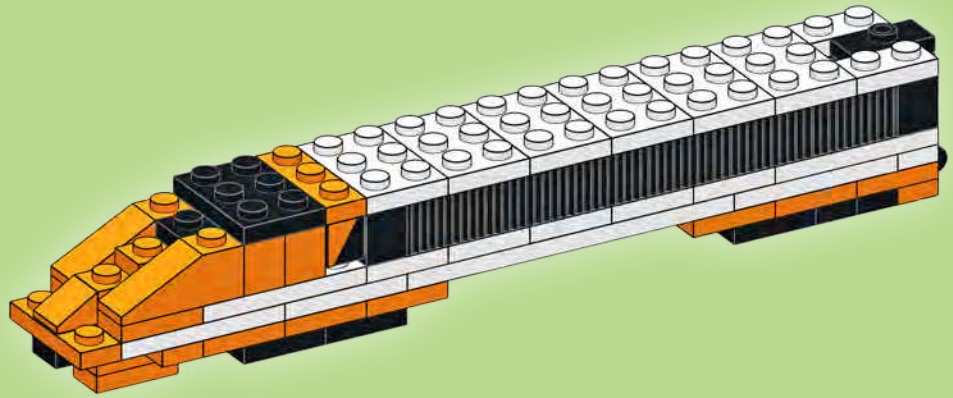
4



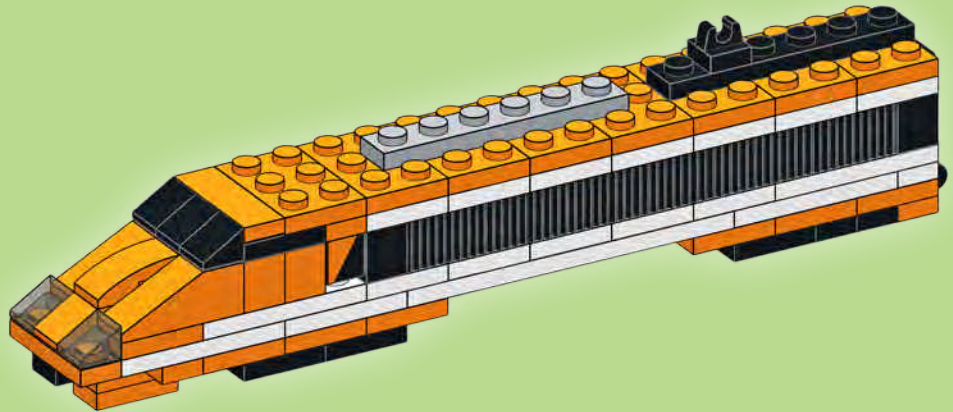
5



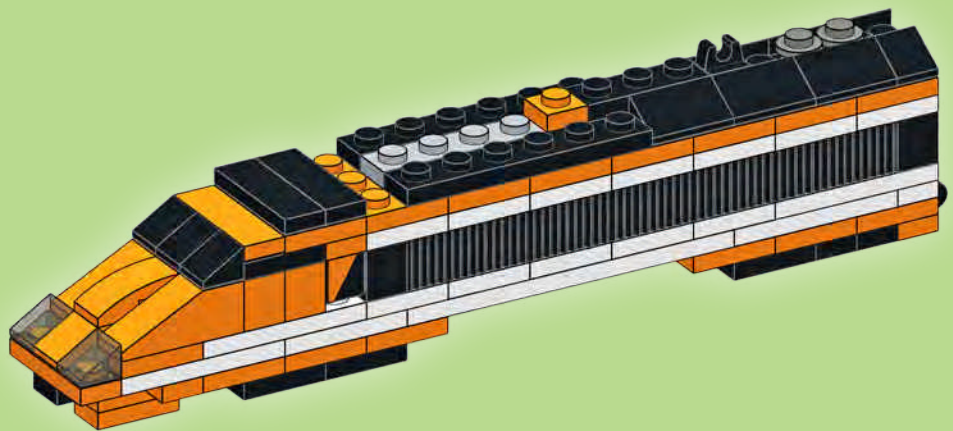
6



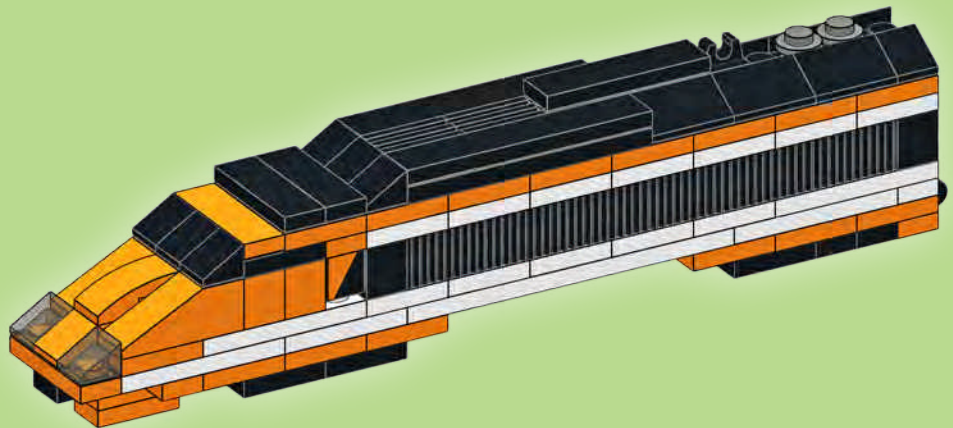
7



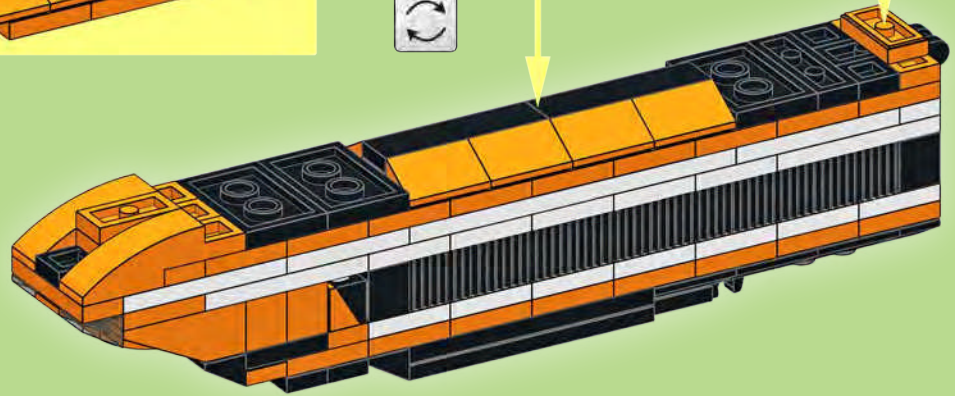
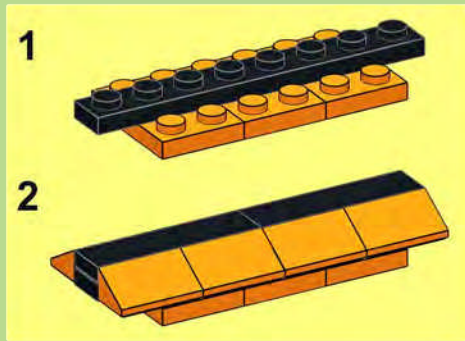
8



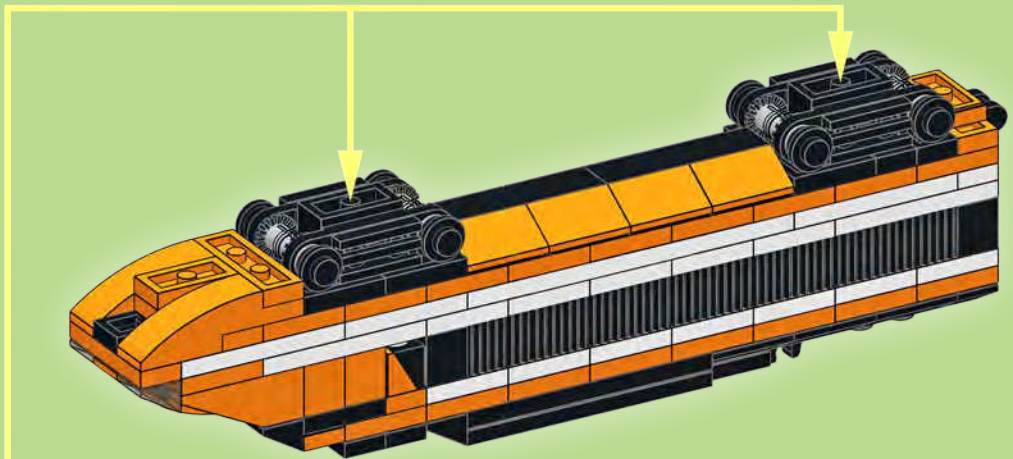
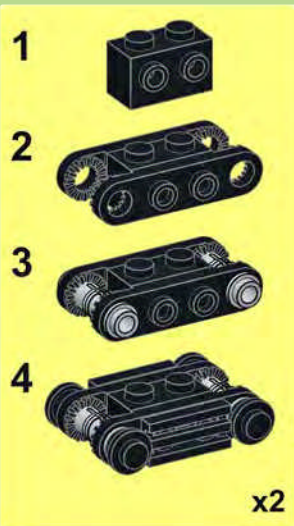
9



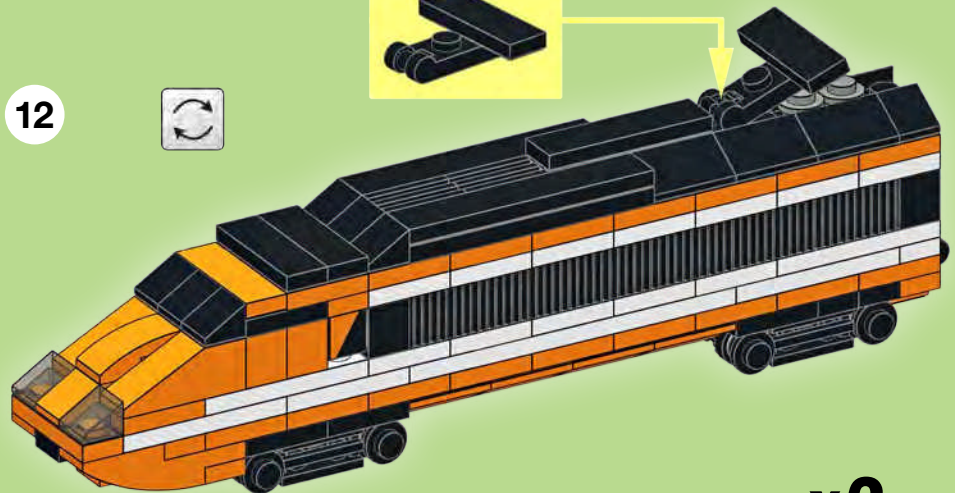
10



11



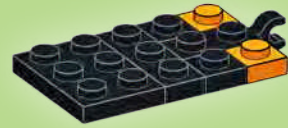
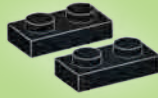
12



x2

2

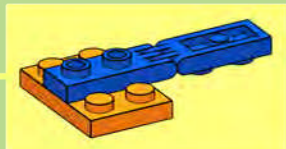
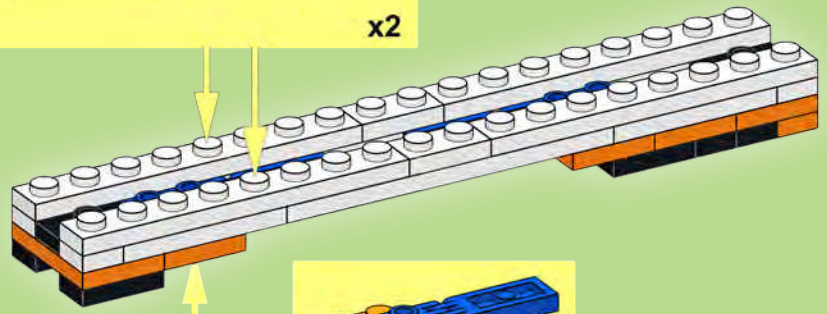
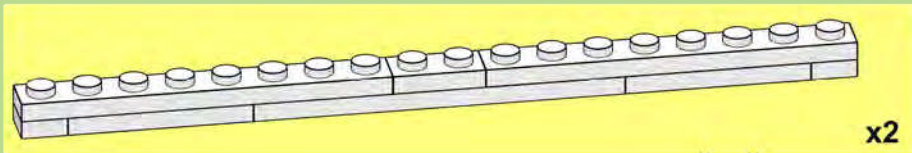
1



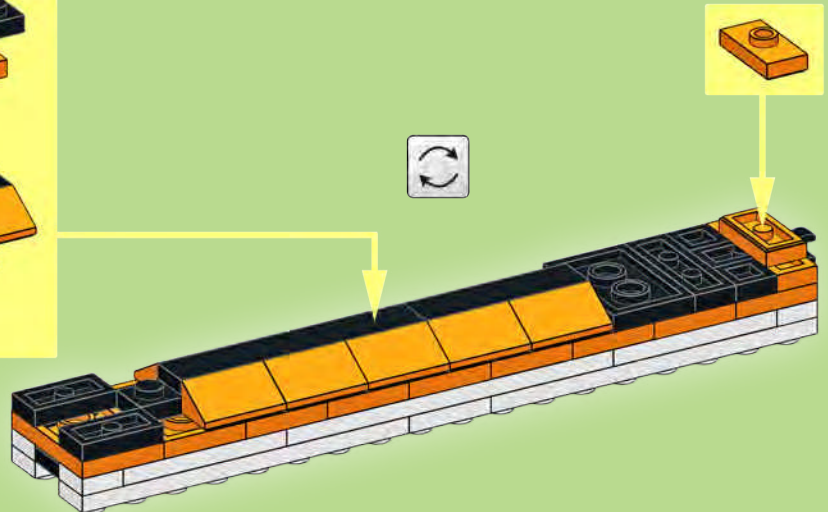
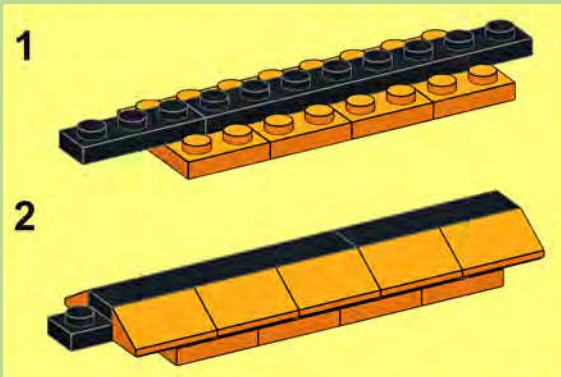
2



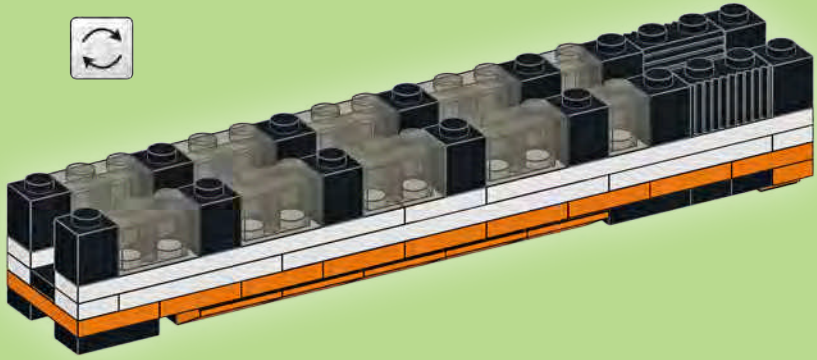
3



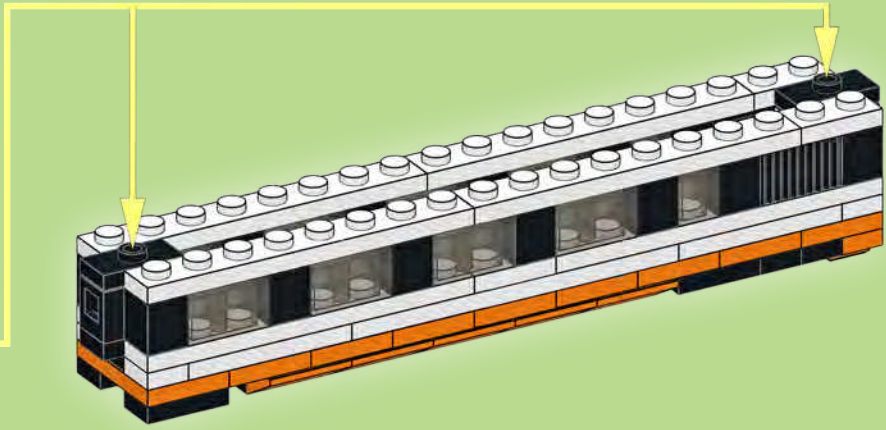
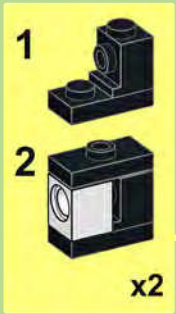
4



5



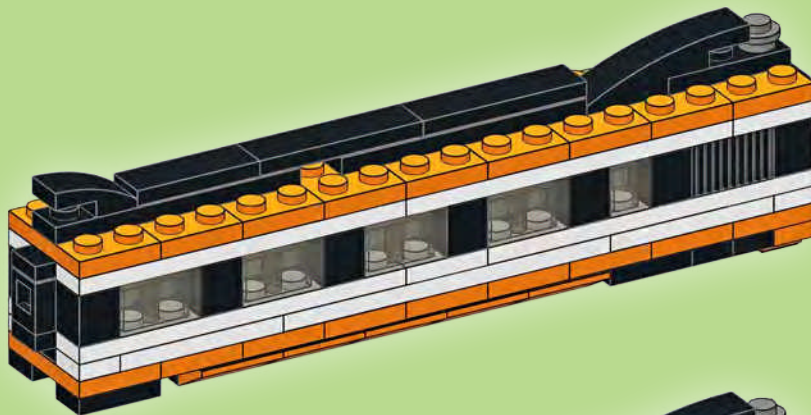
6



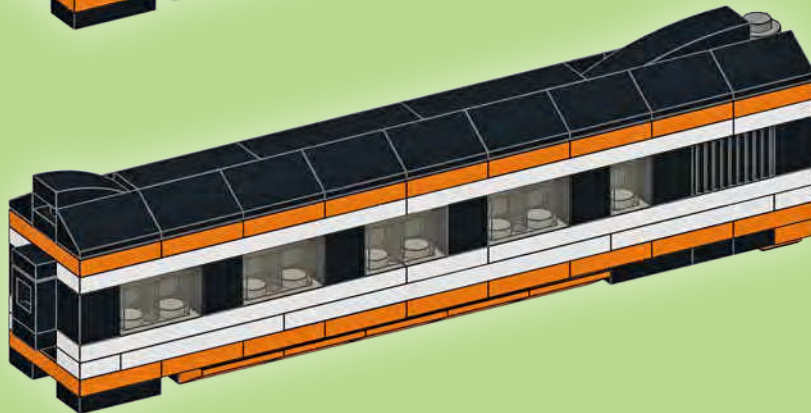
7



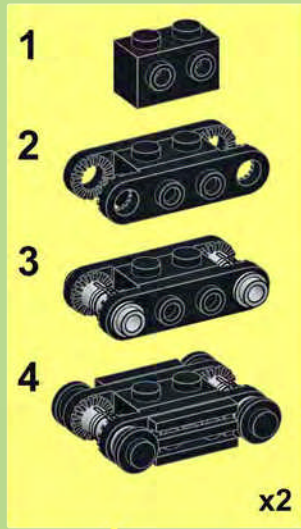
8



9

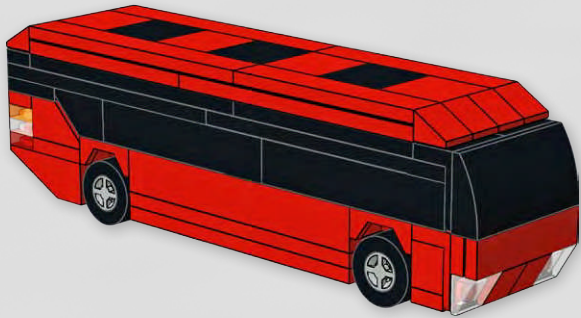


10



3





BILL OF MATERIALS

1x	1x	1x	2x	4x	1x	2x	2x	2x	4x	2x	2x
4x	1x	1x	2x	6x	1x	2x	1x	2x	2x	2x	2x
1x	2x	2x	1x	1x	2x	1x	2x	3x	2x	2x	2x
2x	2x	2x	1x	2x	2x	1x	2x	4x	2x	2x	2x
2x	10x	2x	2x	2x	1x	2x	1x	2x	2x	2x	2x
2x	2x	1x	2x	2x	2x	2x	1x	2x	2x	2x	2x
2x	2x	1x	2x	2x	2x	2x	1x	2x	2x	2x	4x

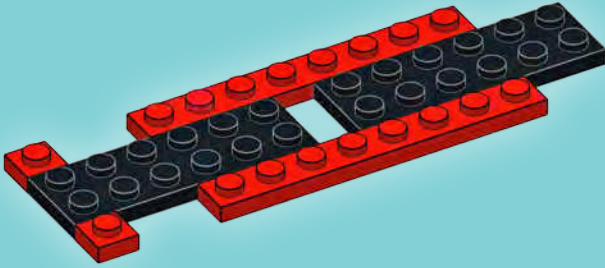
DIFFICULTY LEVEL: EASY

TOURING COACH

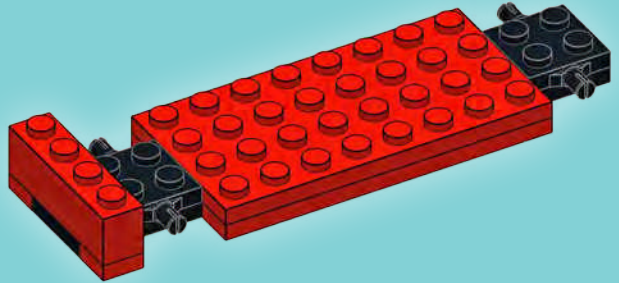
Liam Bates



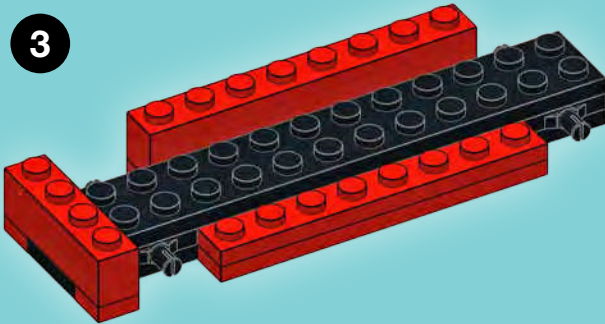
1



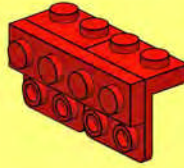
2



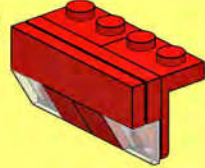
3



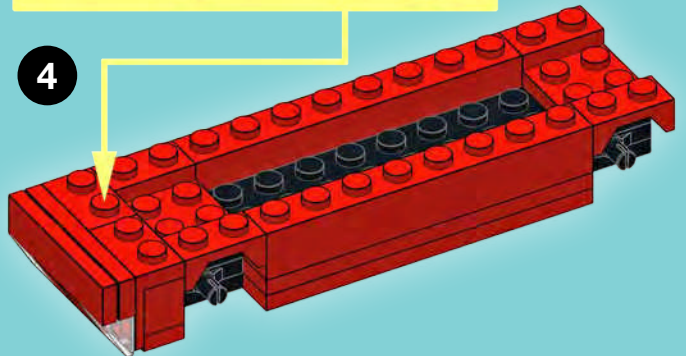
1



2

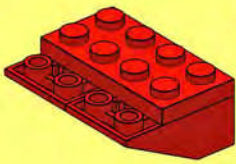


4

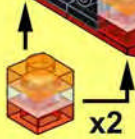
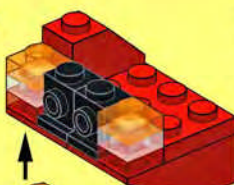


5

1



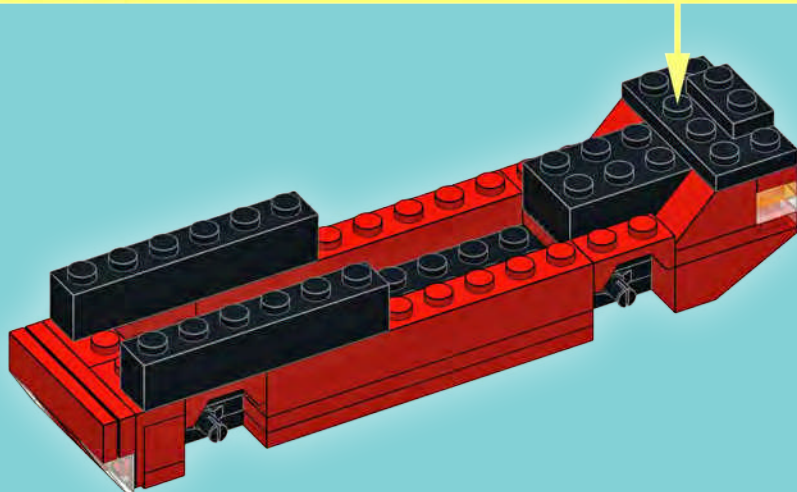
2

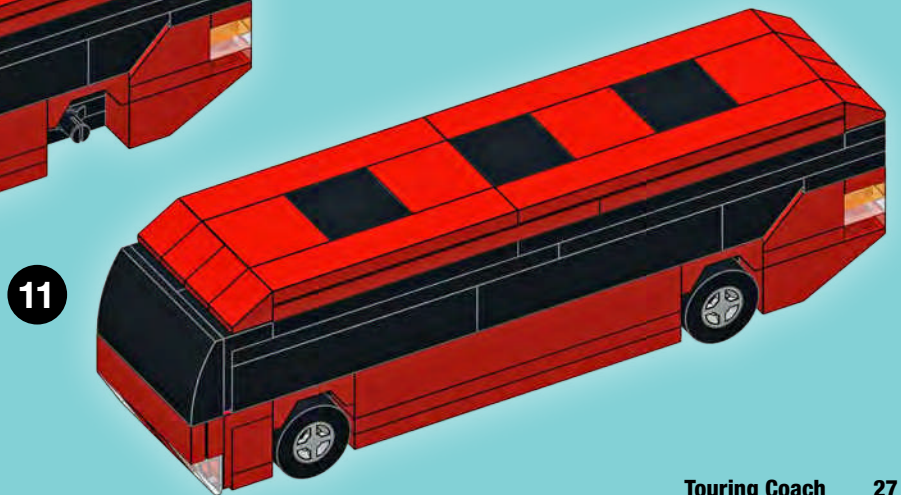
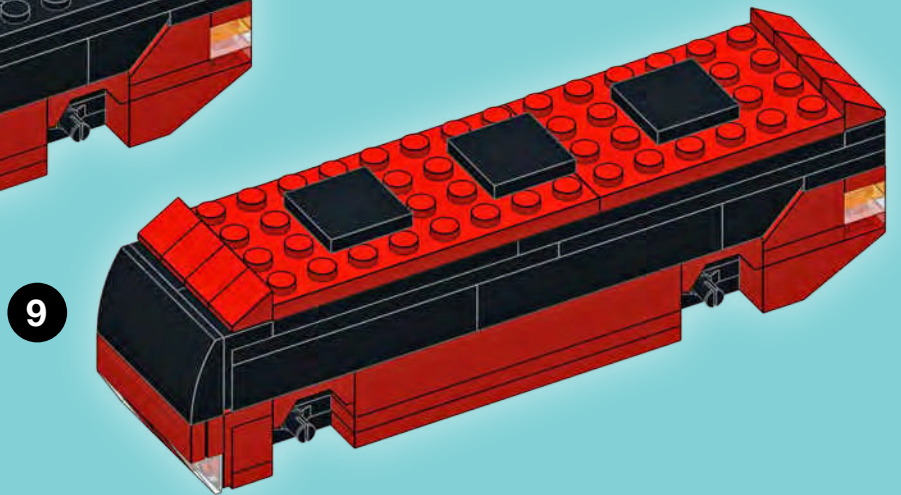
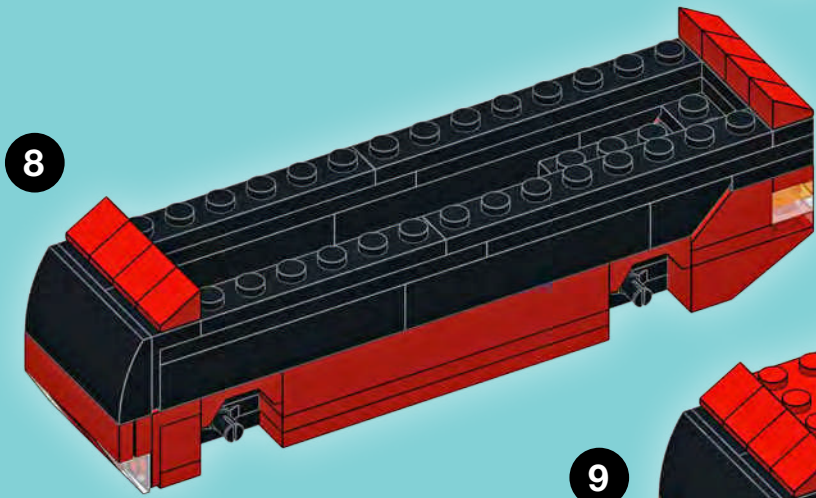
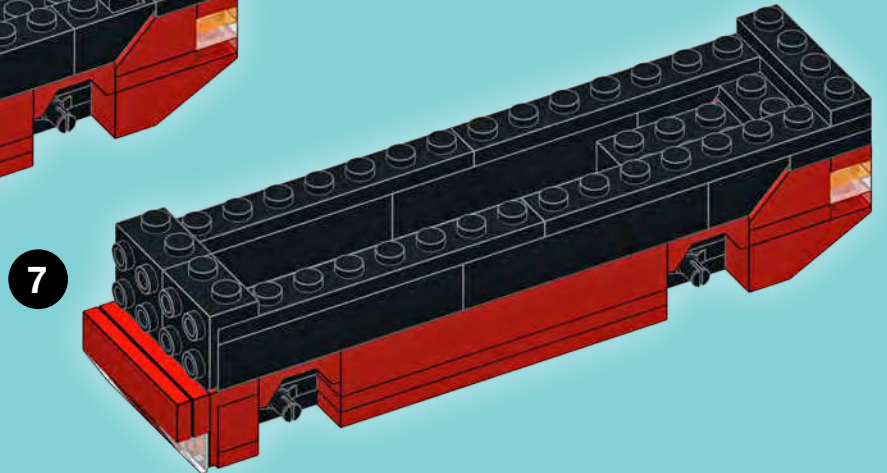
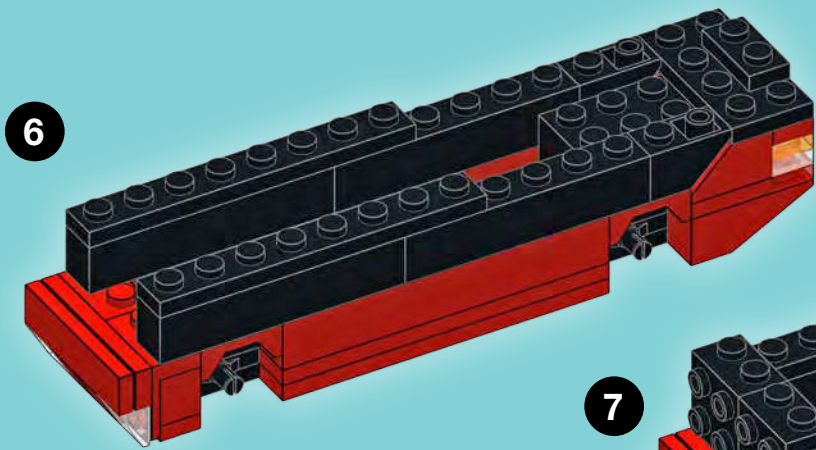


3



4

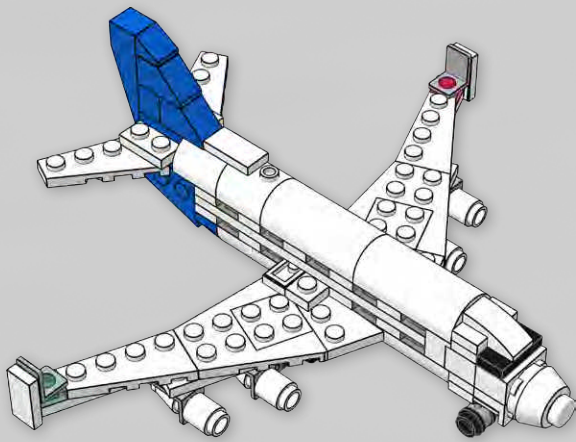




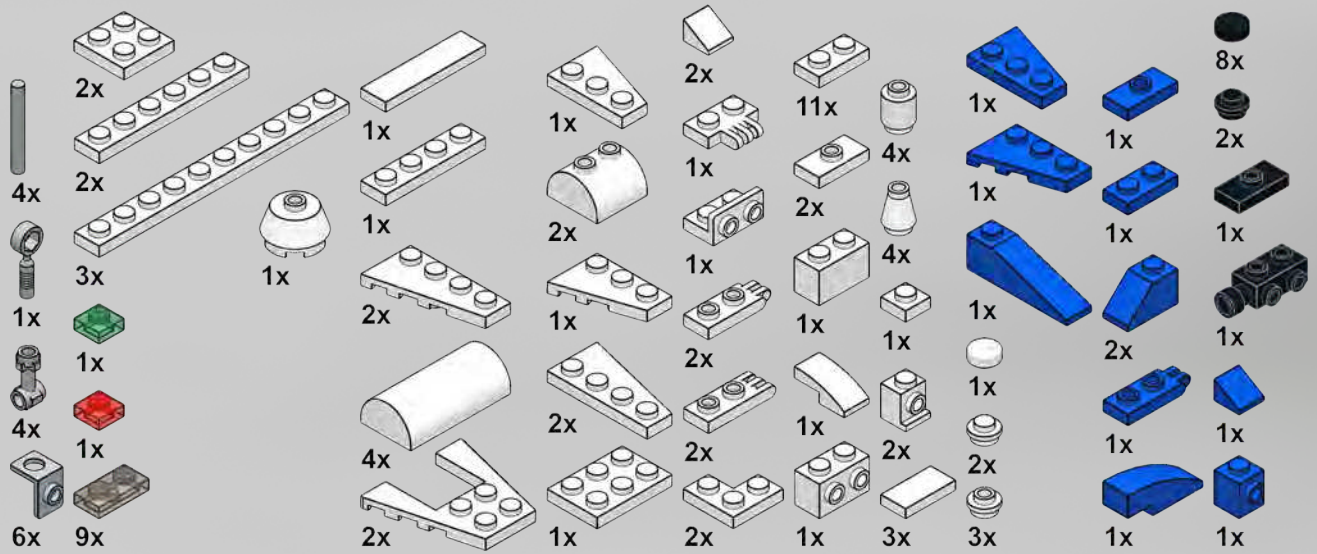


THE AIRPORT





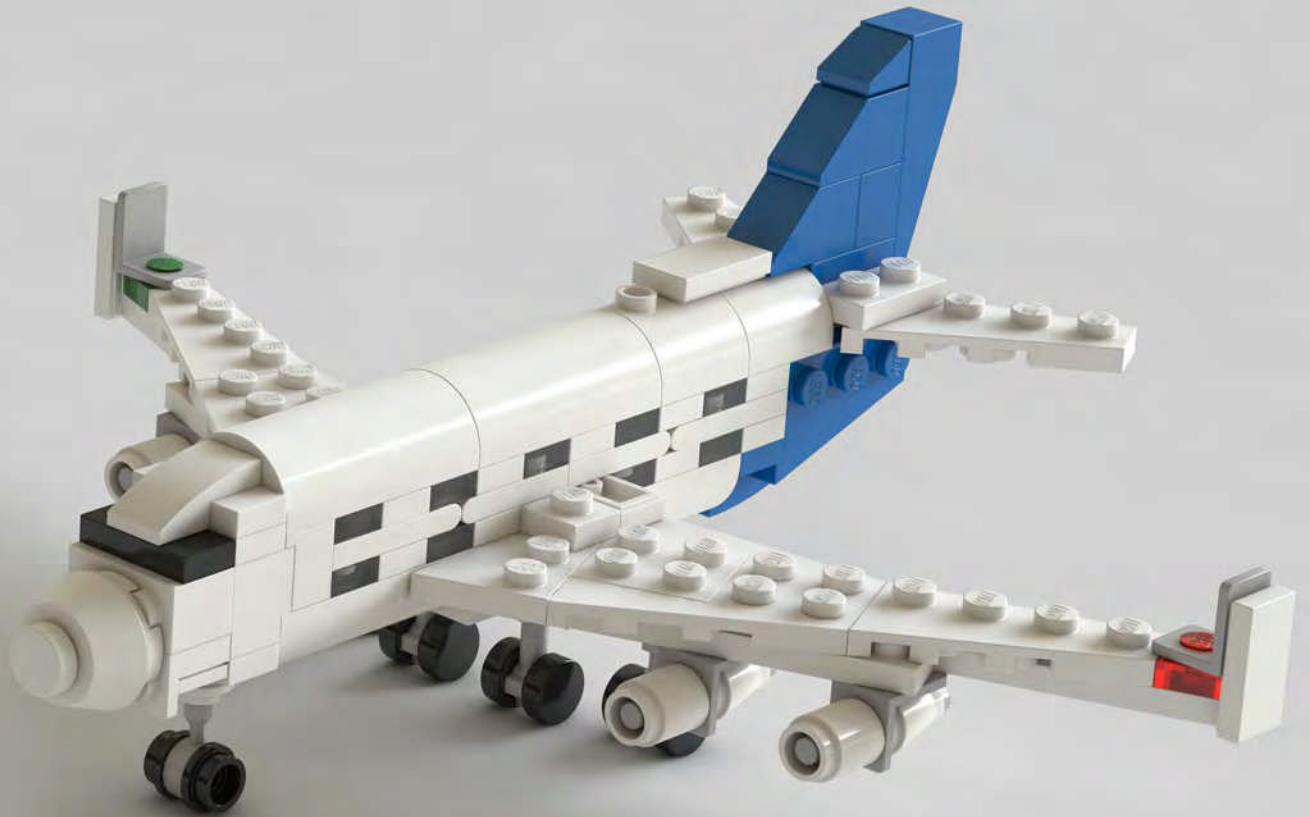
BILL OF MATERIALS

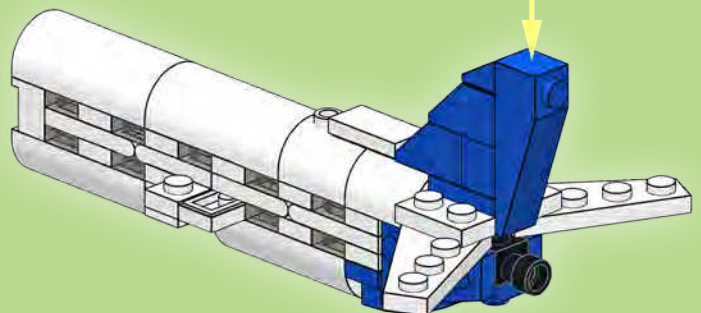
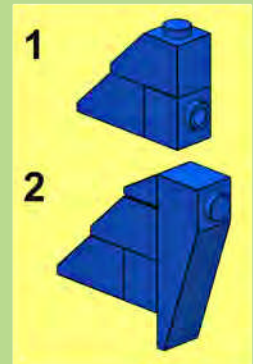
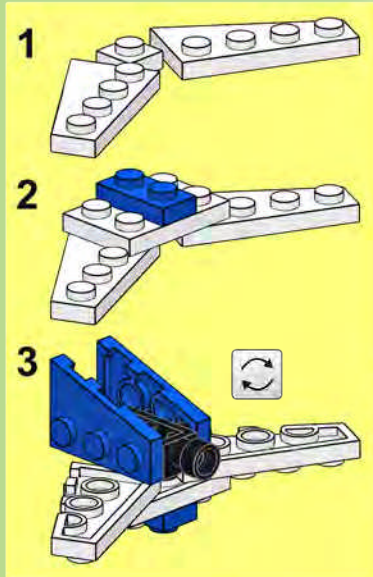
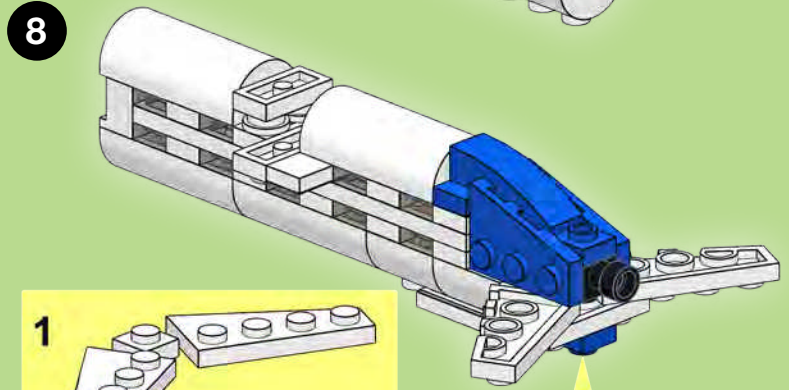
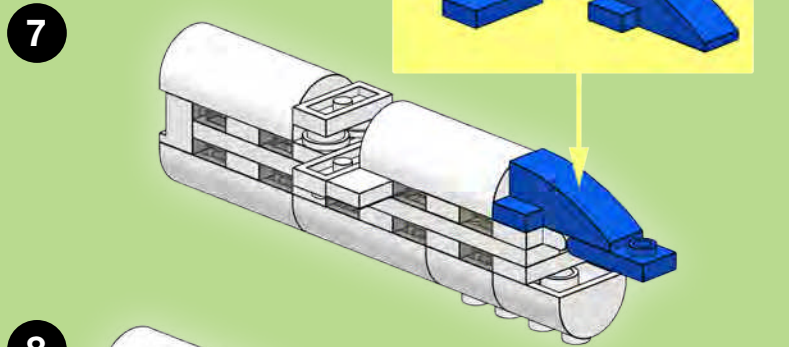
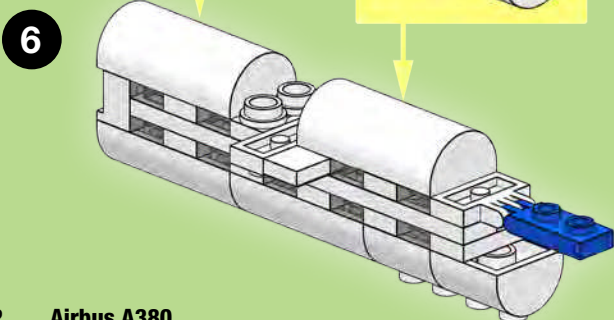
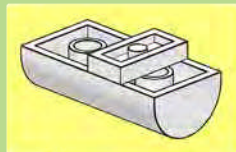
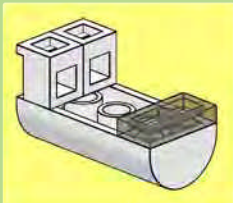
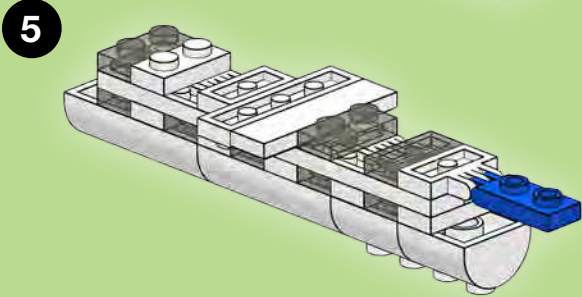
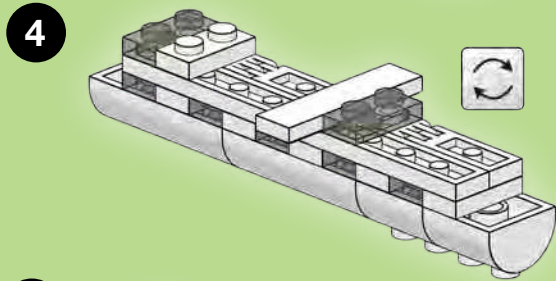
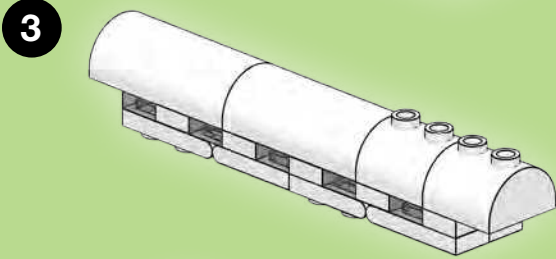
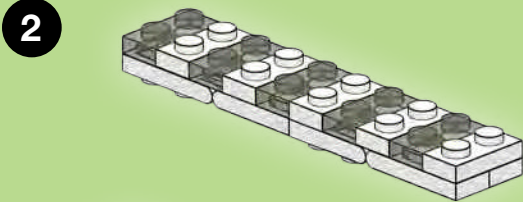
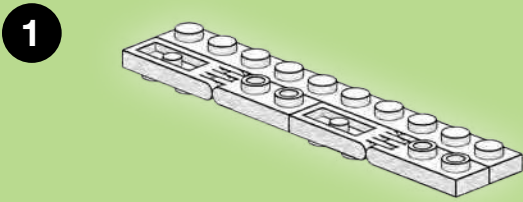


DIFFICULTY LEVEL: HARD

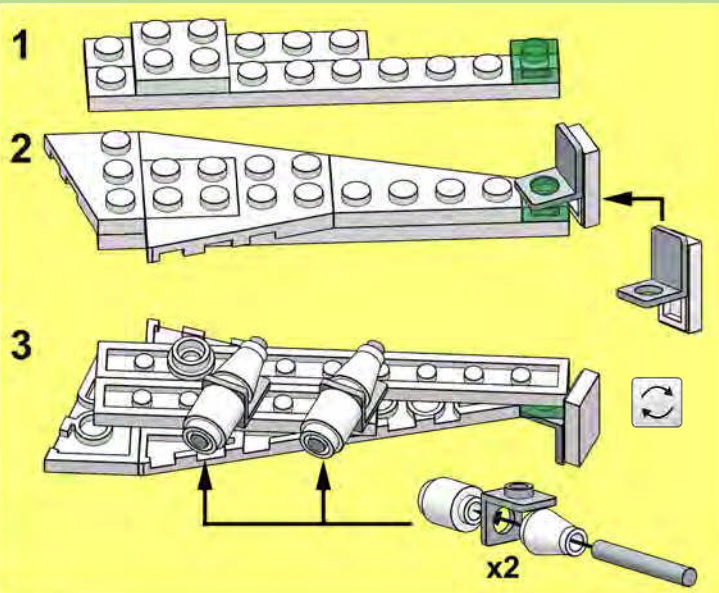
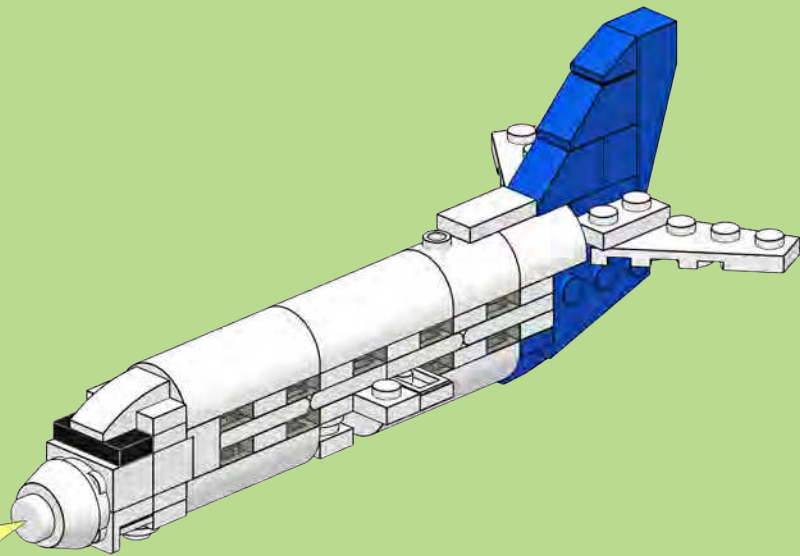
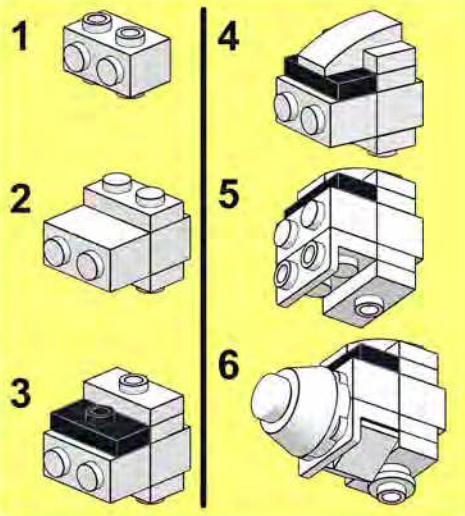
AIRBUS A380

Alexander Bugiel

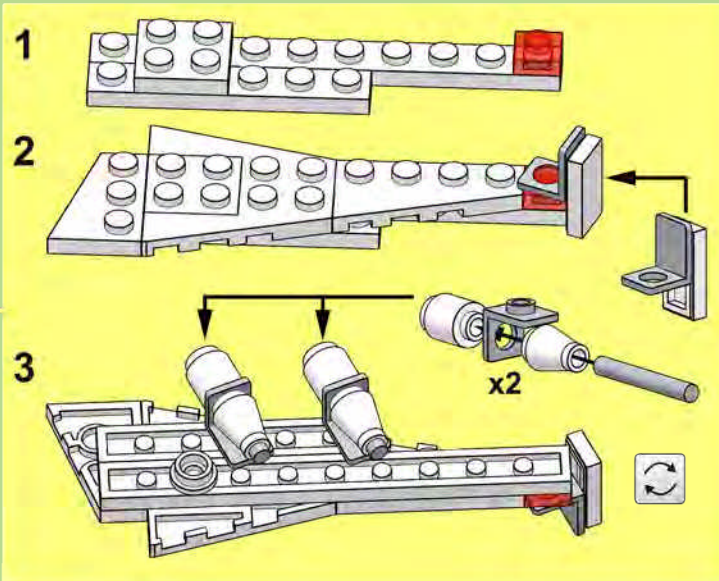
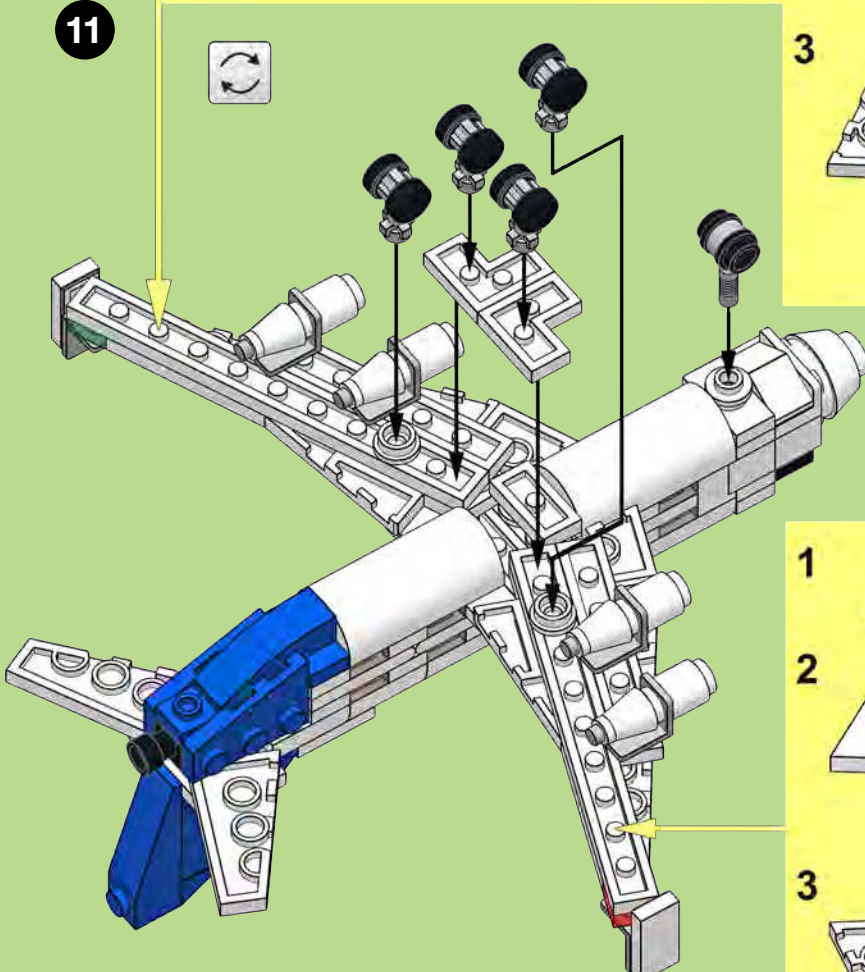


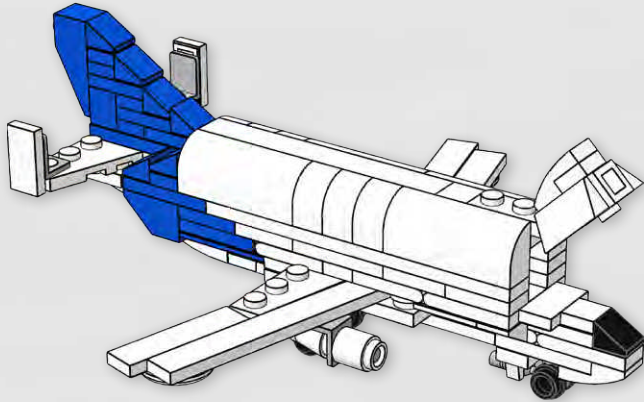


10



11





BILL OF MATERIALS

2x	4x	5x	2x	3x	10x	6x						
1x	2x	1x	4x	2x	1x	2x	1x	2x	2x	2x	1x	1x
2x	1x	1x	4x	2x	2x	2x	2x	2x	2x	2x	2x	2x
4x	3x	3x	6x	4x	4x	4x	4x	4x	4x	4x	2x	2x
1x	1x	1x	3x	2x	2x	2x	2x	2x	2x	2x	2x	4x
4x	2x	1x	3x	2x	2x	2x	2x	2x	2x	2x	1x	3x
2x	1x	1x	7x	1x	1x	1x	1x	1x	1x	1x	1x	3x

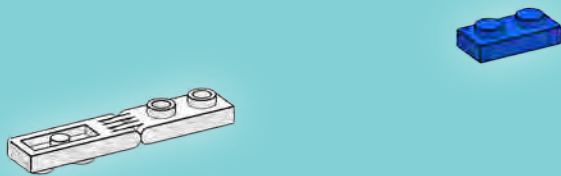
DIFFICULTY LEVEL: HARD

AIRBUS SUPER TRANSPORTER

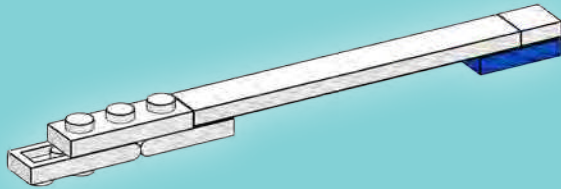
Alexander Bugiel



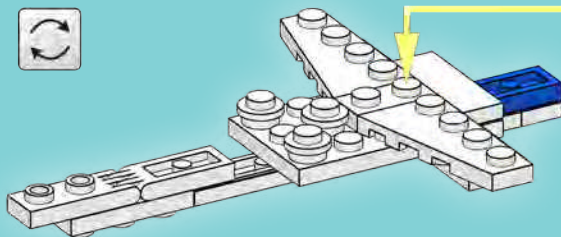
1



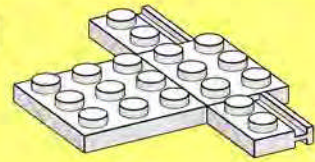
2



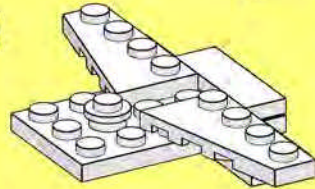
3



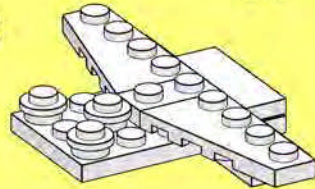
1



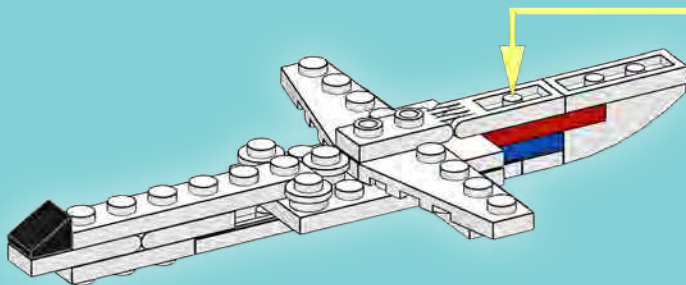
2



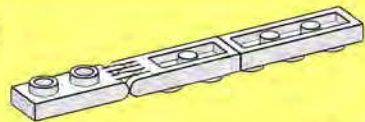
3



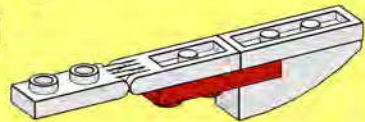
4



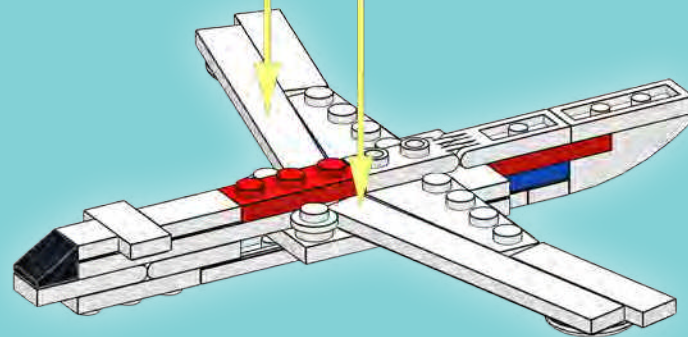
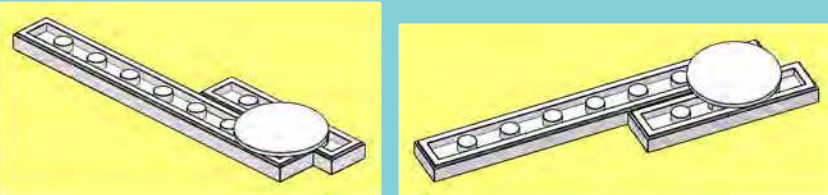
1



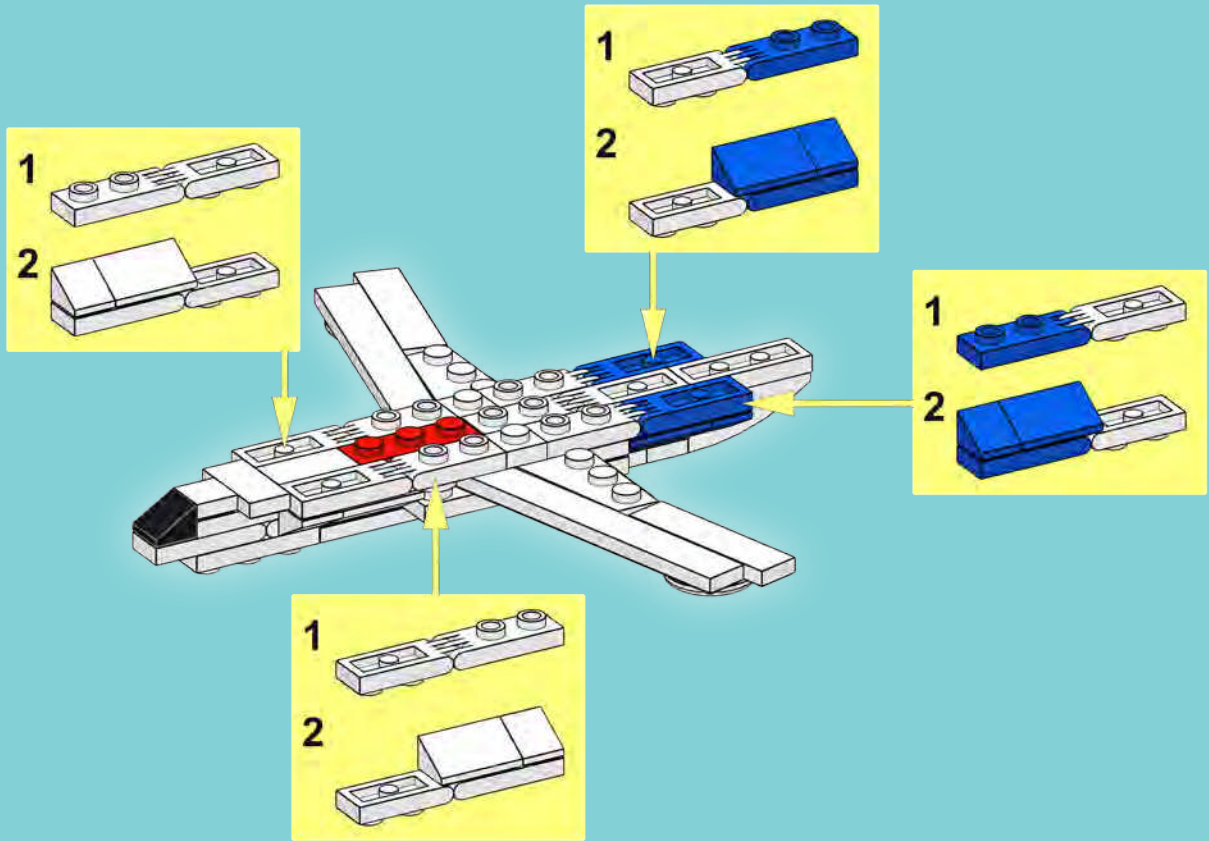
2



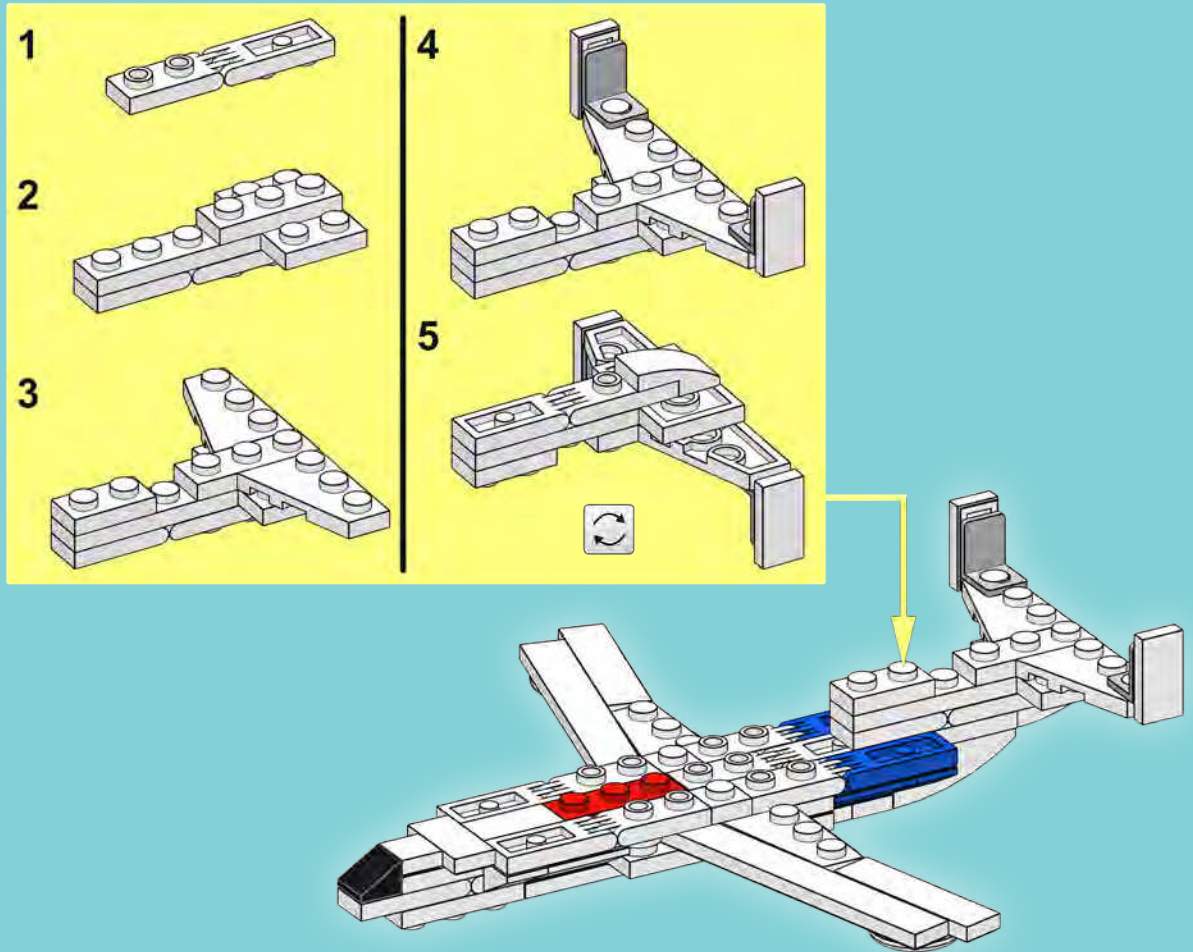
5



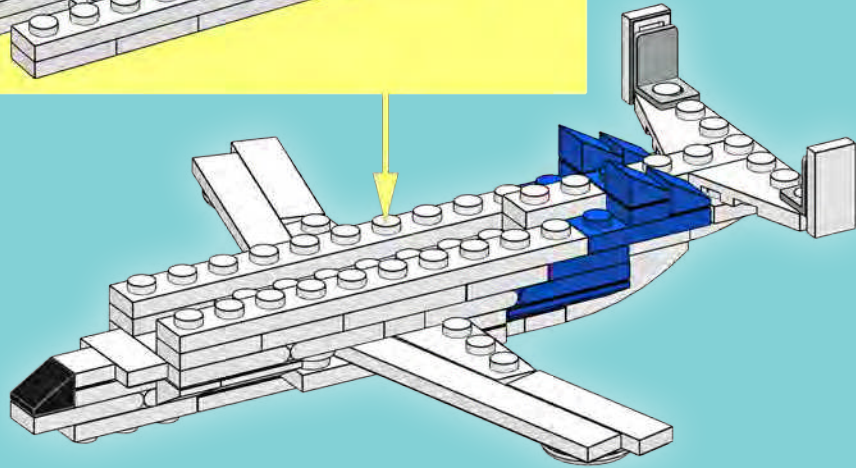
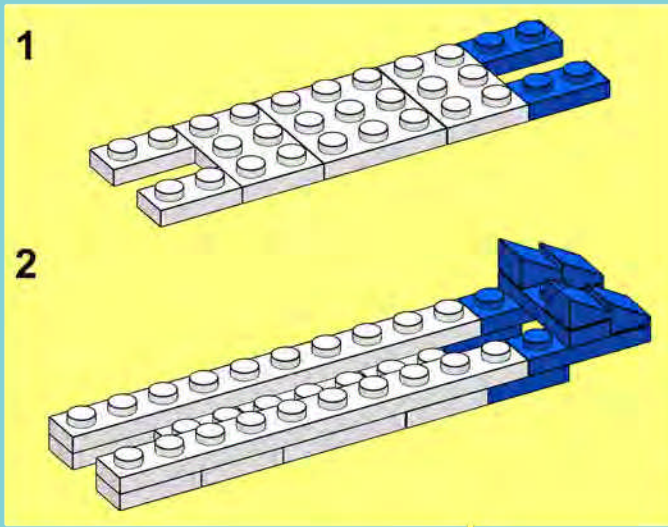
6



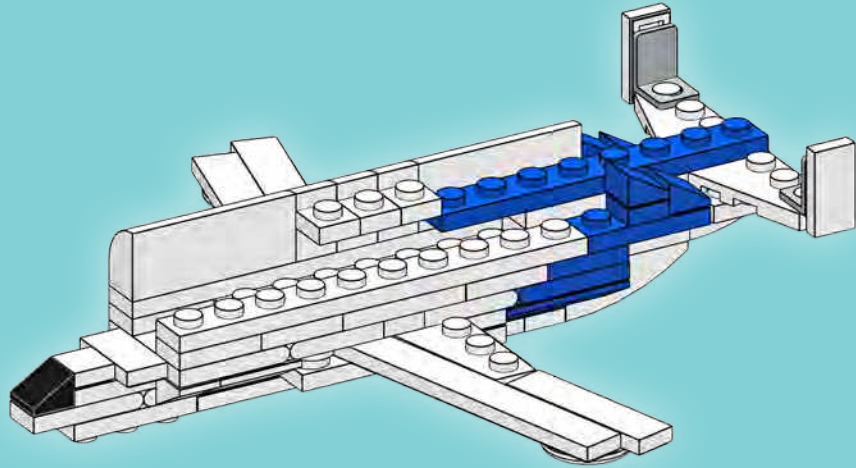
7



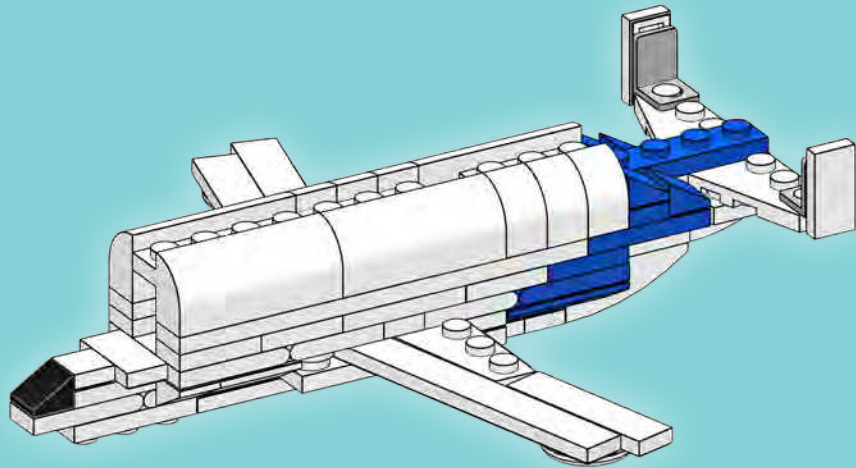
8



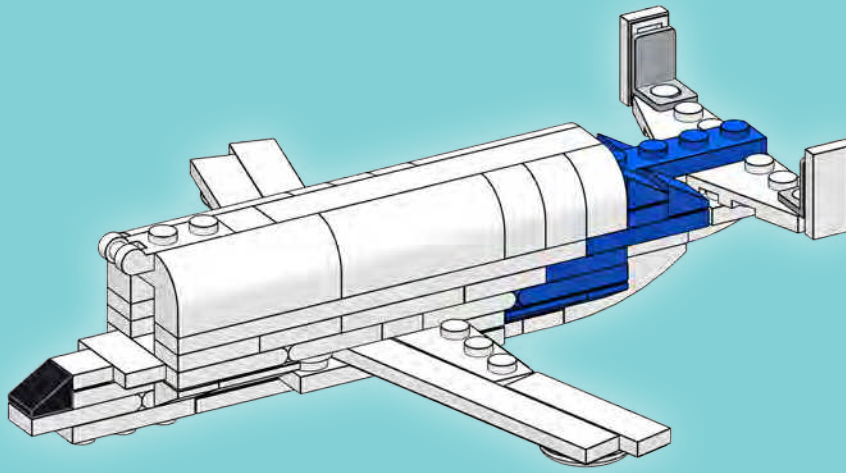
9



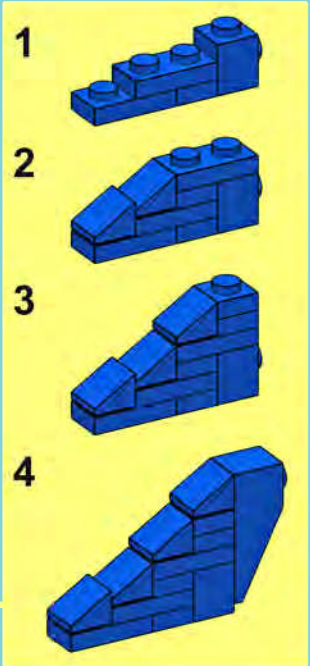
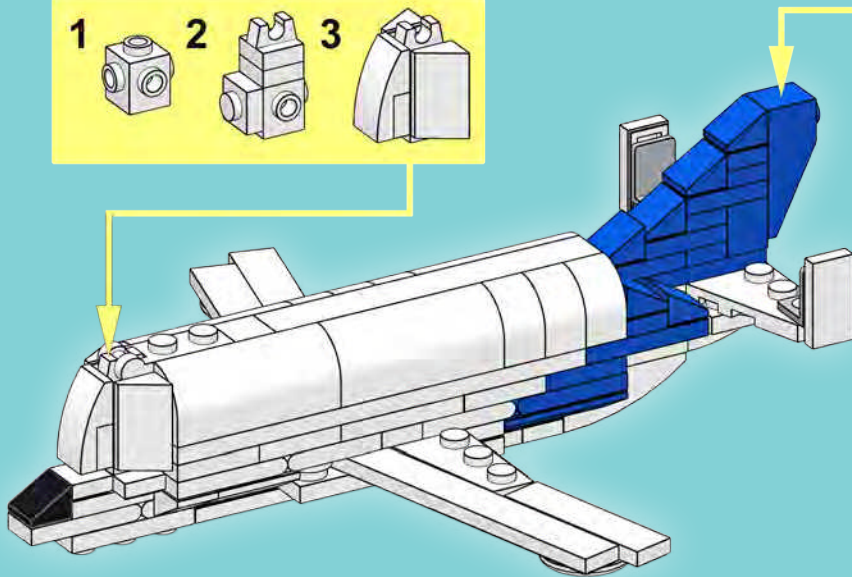
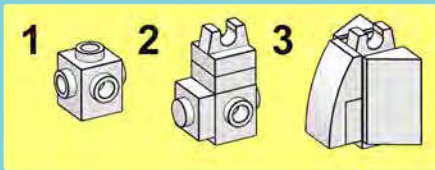
10



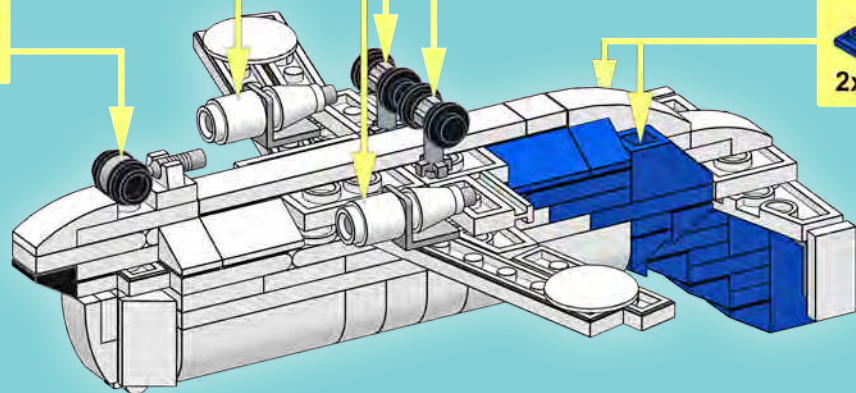
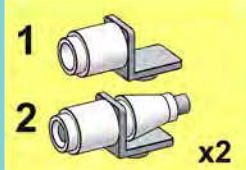
11

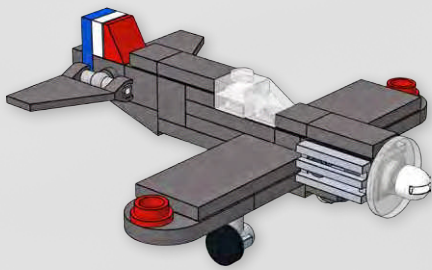


12

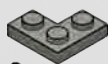
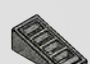





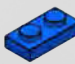







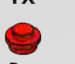


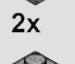



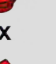



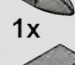



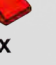
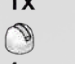


13





BILL OF MATERIALS

							
2x	1x	2x	2x	2x	1x	1x	1x
							
2x	2x	2x	1x	1x	2x	2x	2x
							
2x	1x	1x	1x	2x	2x	1x	1x
							
2x	5x	2x	1x	1x	1x	1x	1x

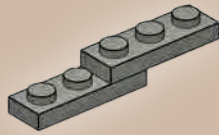
DIFFICULTY LEVEL: MEDIUM

SUPERMARINE SPITFIRE

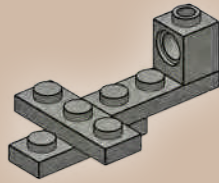
Thomas Lockwood



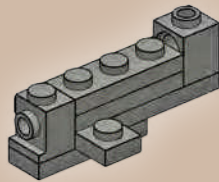
1



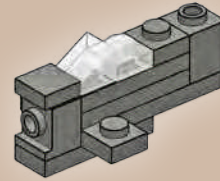
2



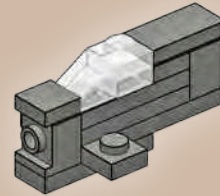
3



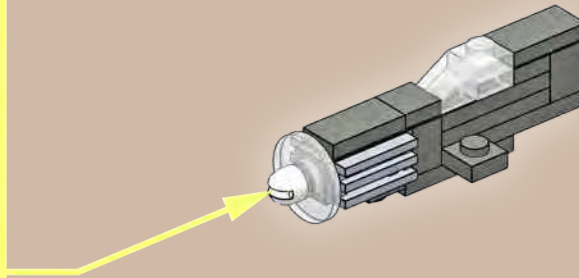
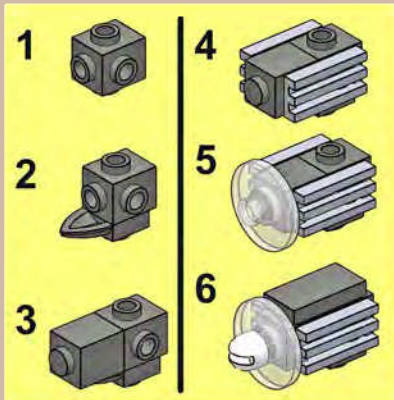
4



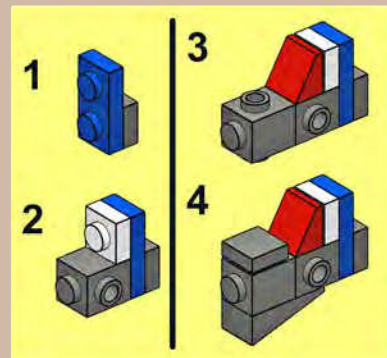
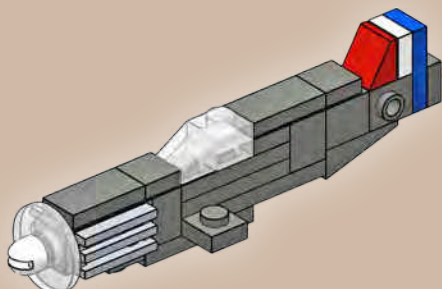
5



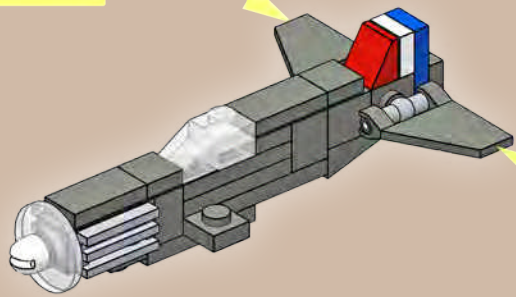
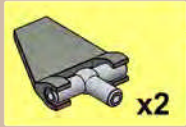
6



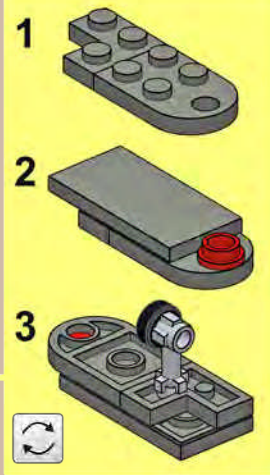
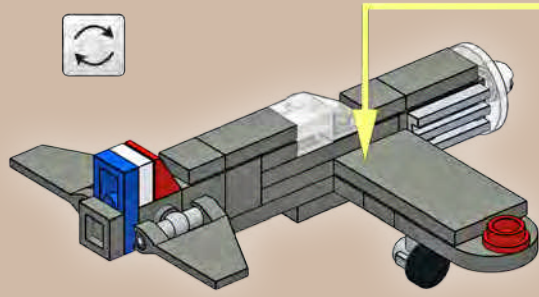
7



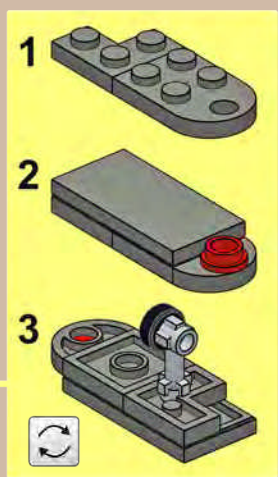
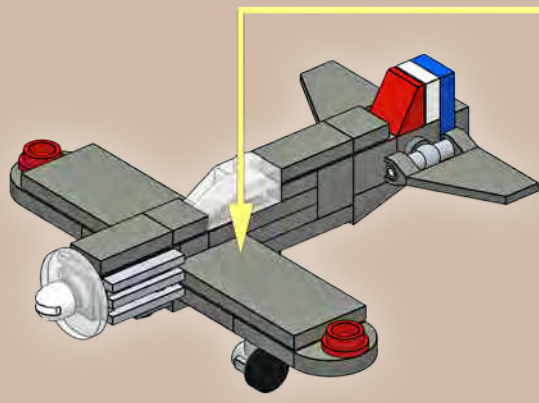
8

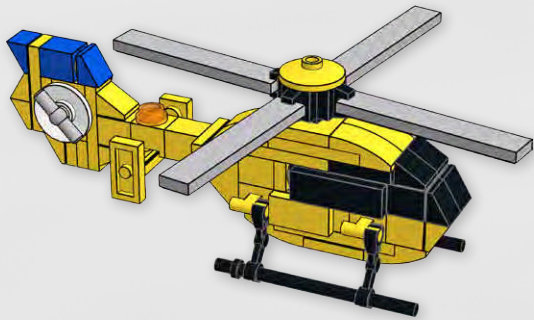


9

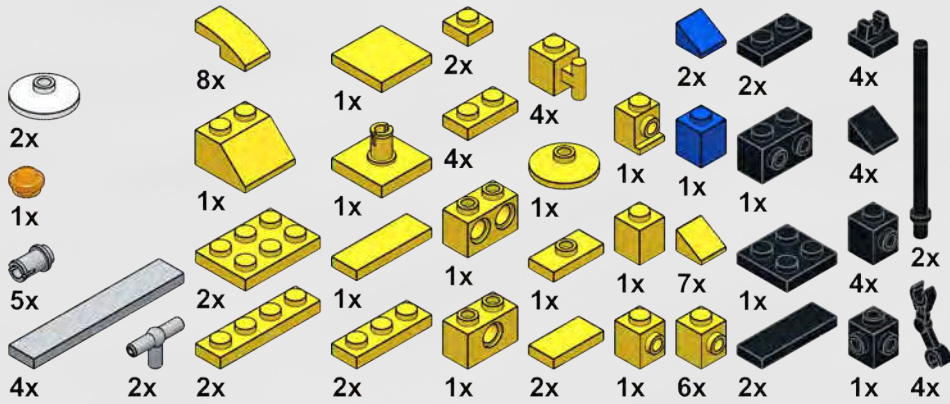


10





BILL OF MATERIALS



DIFFICULTY LEVEL: MEDIUM

RESCUE CHOPPER

Mattia Zamboni

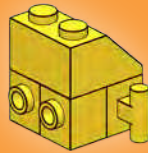


1

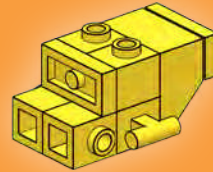
1



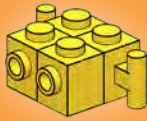
3



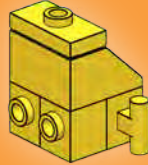
5



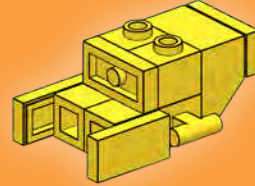
2



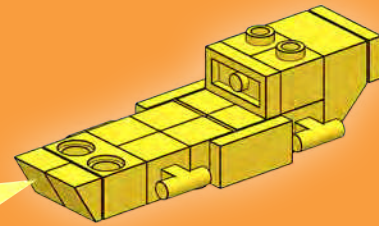
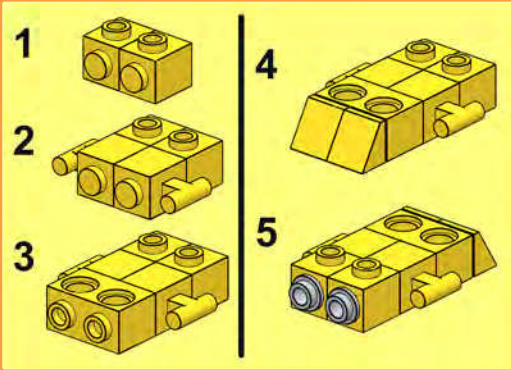
4



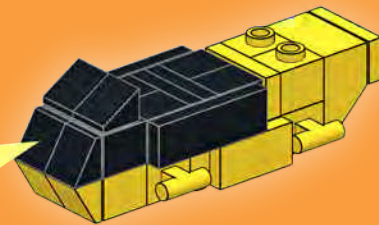
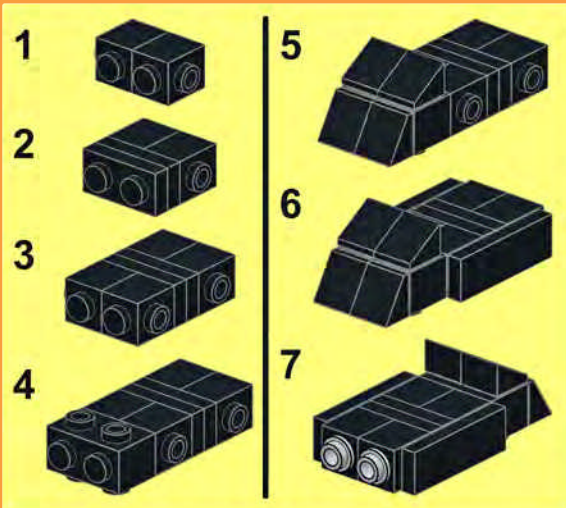
6



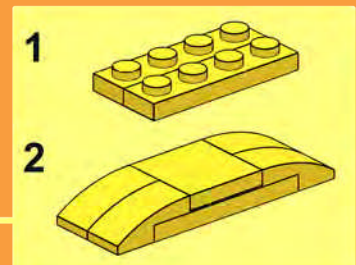
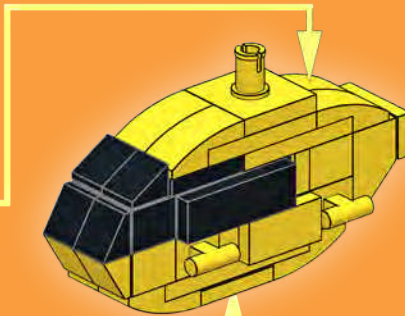
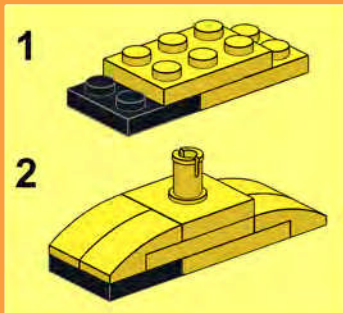
2



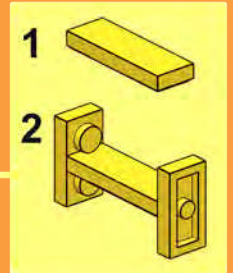
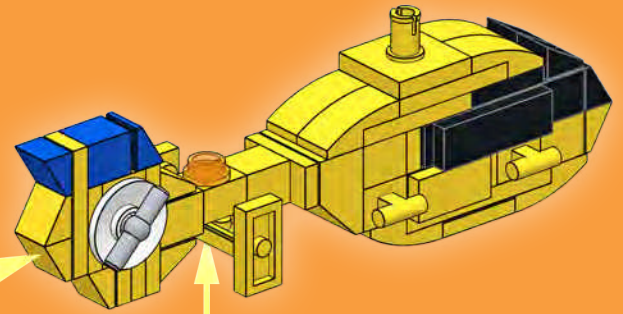
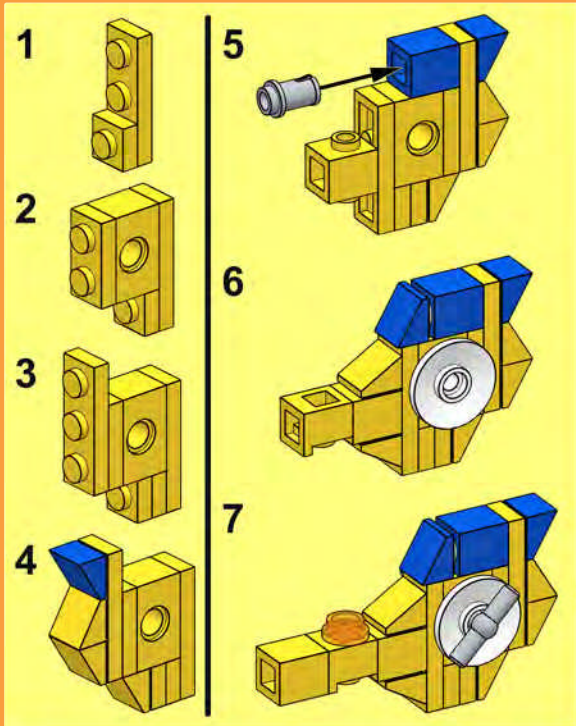
3



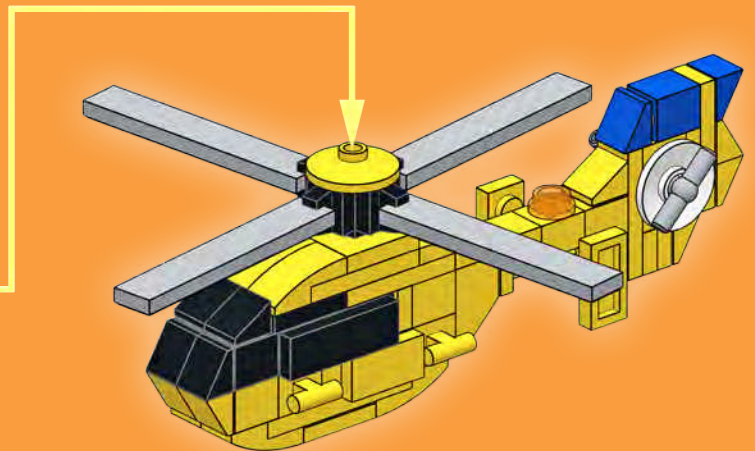
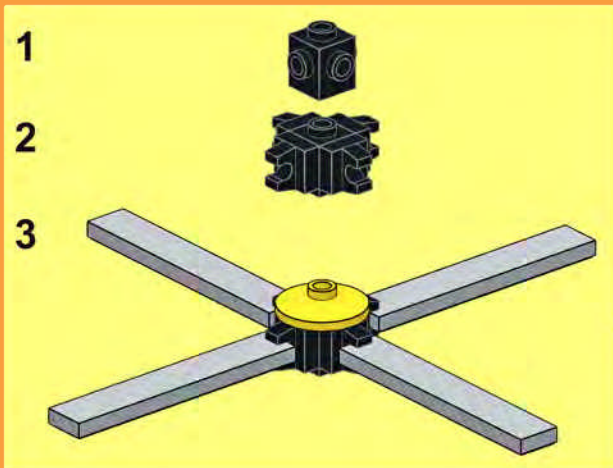
4



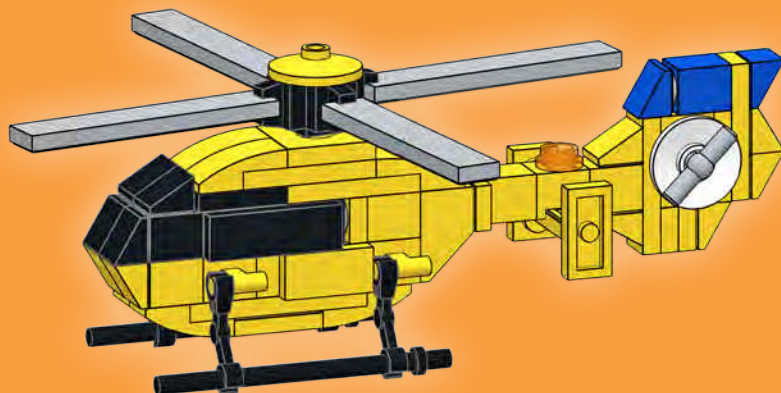
5



6



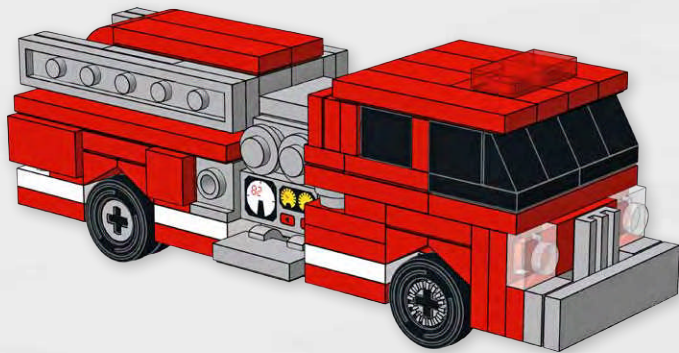
7







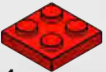


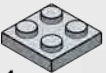


















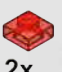


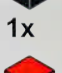
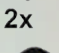

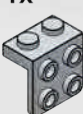



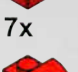


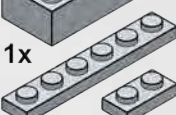




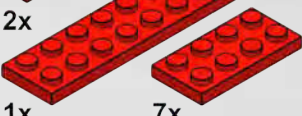






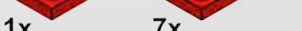




FIRE!





BILL OF MATERIALS

								
6x	2x	4x	2x	1x	6x	2x		
								
1x	2x	2x	2x	2x	3x	2x	4x	
								
2x	5x	2x	2x	6x	6x	1x	2x	
								
1x	1x	4x	2x	2x	7x	2x	2x	
								
1x	2x	2x	2x	2x	2x	8x	6x	
								
2x	2x	1x	3x	6x	1x	8x	1x	
								
					7x	8x	1x	
								
					1x	8x	1x	

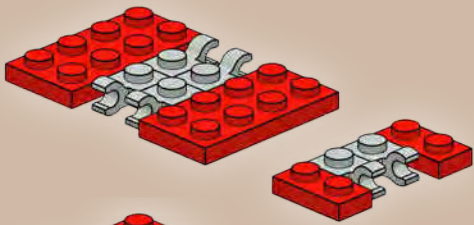
DIFFICULTY LEVEL: MEDIUM

FIRE ENGINE

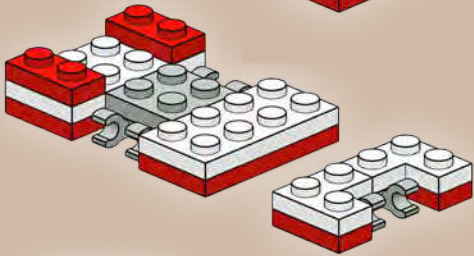
Jarek Książczyk



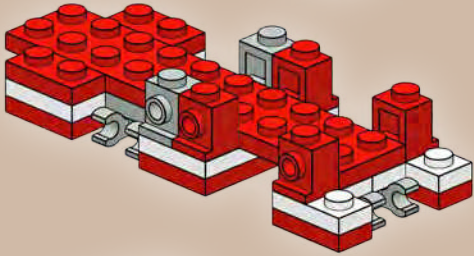
1



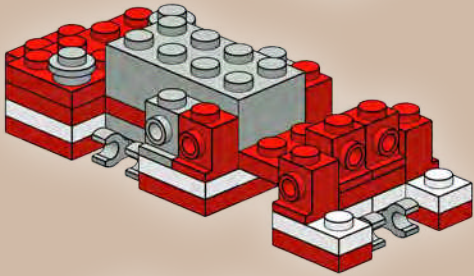
2



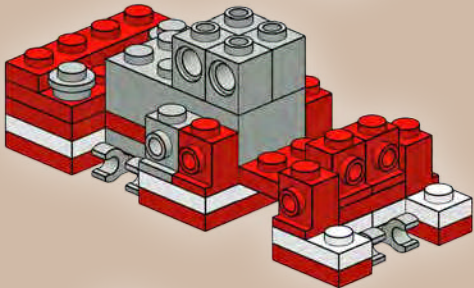
3



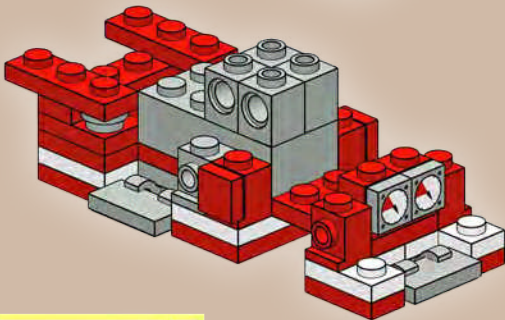
4



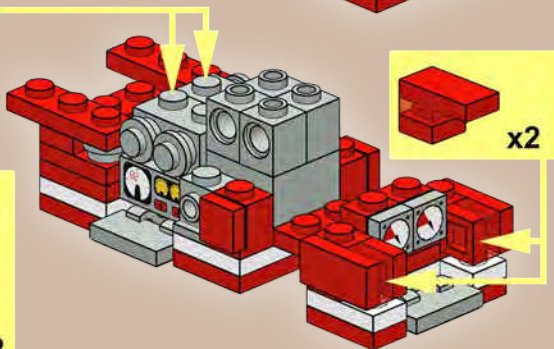
5



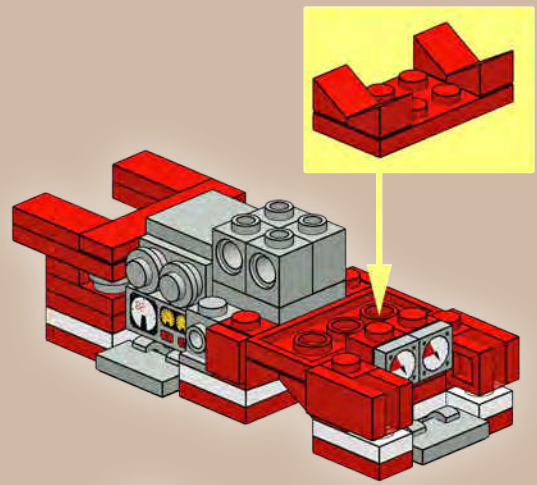
6



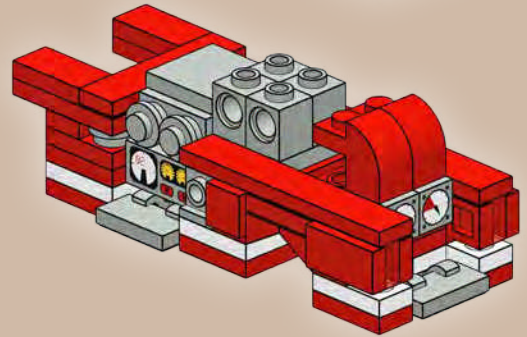
7



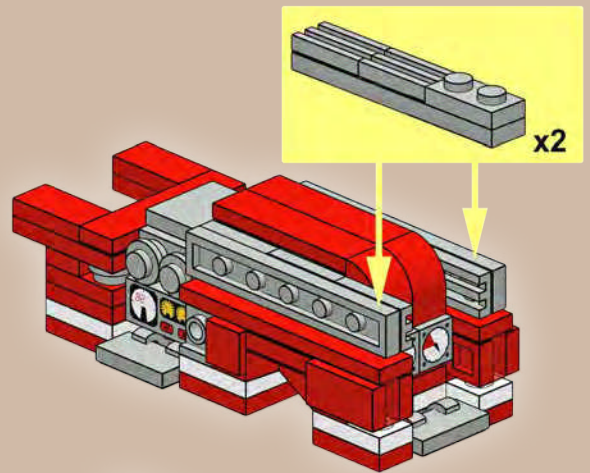
8



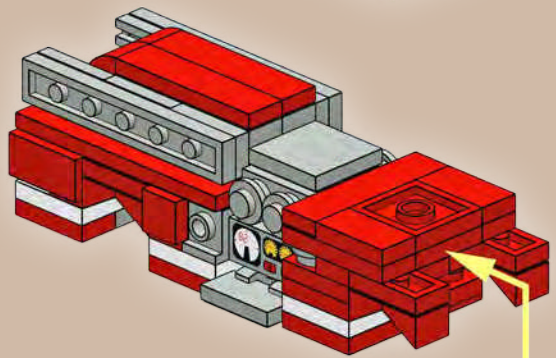
9



10



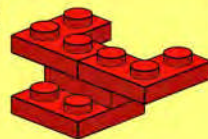
11



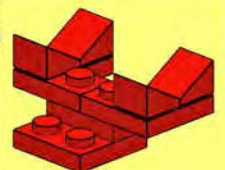
1



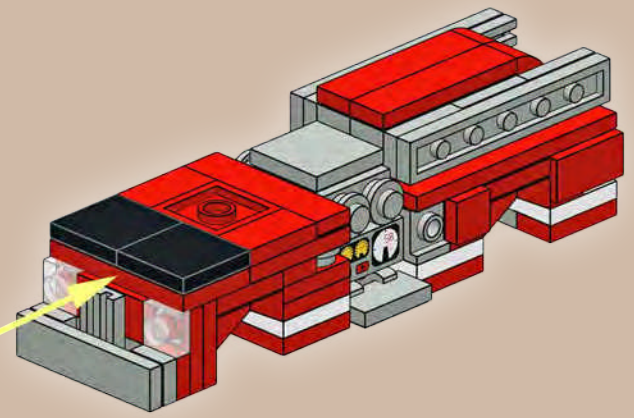
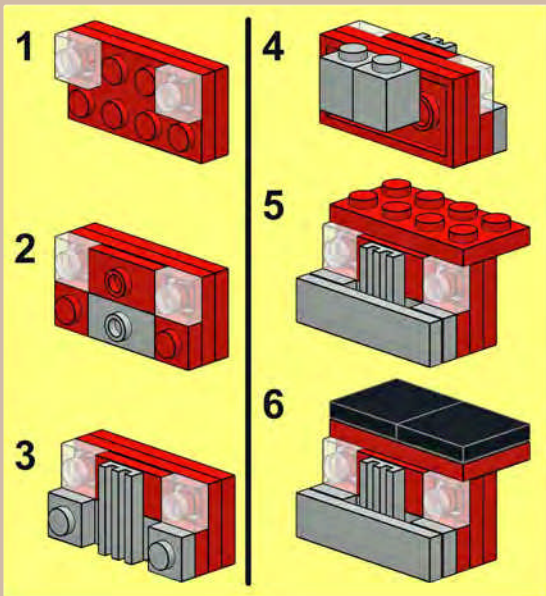
2



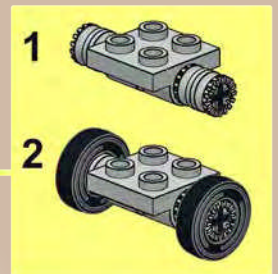
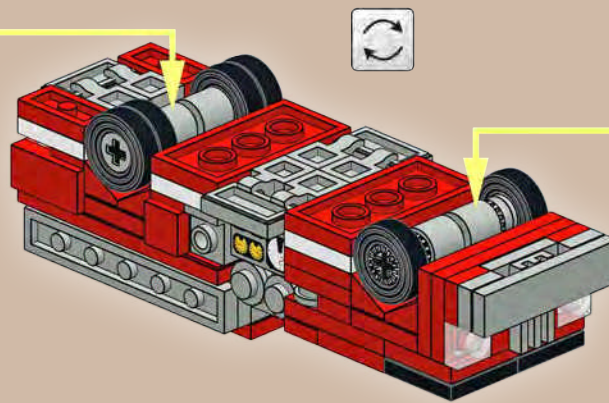
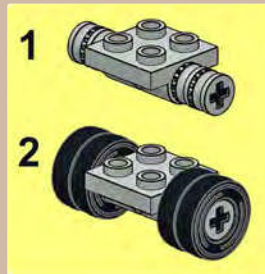
3



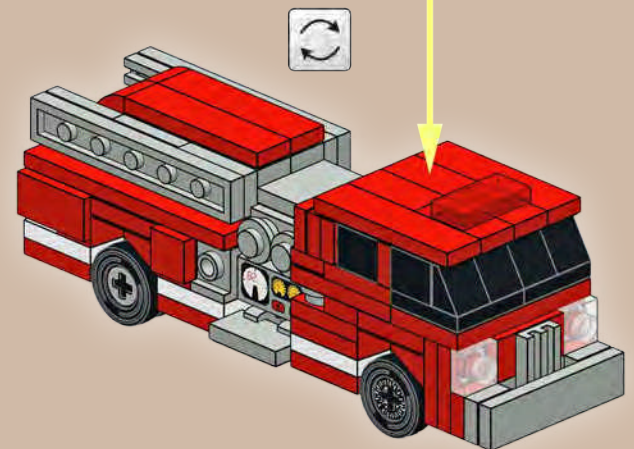
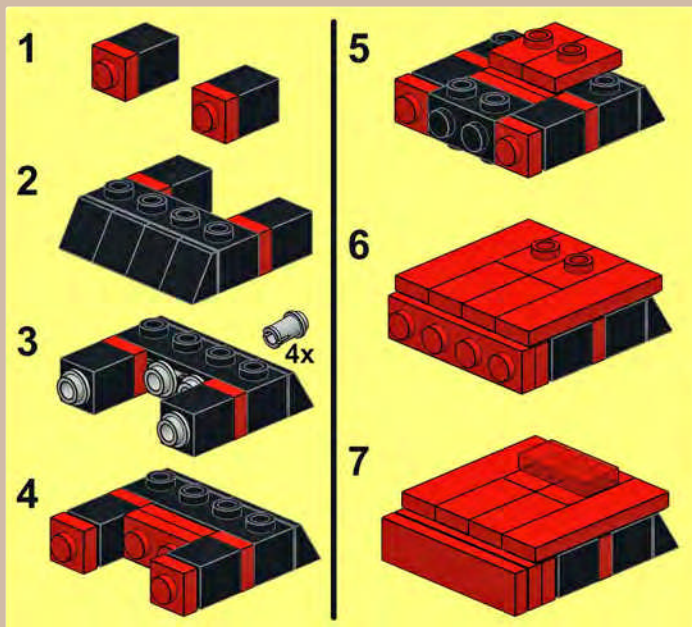
12

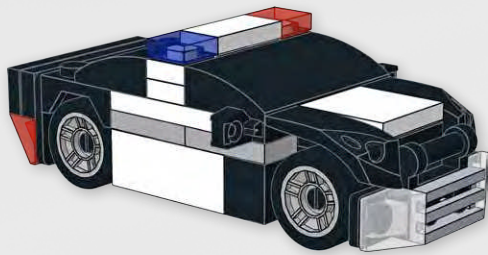


13



































14





BILL OF MATERIALS

				
1x				2x
				
2x	2x	1x	2x	4x
				
2x	1x	1x	2x	1x
				
4x	2x	2x	1x	1x
				
2x	2x	2x	1x	2x
				
1x	2x	1x	1x	2x
				
1x	1x	2x	1x	2x

DIFFICULTY LEVEL: MEDIUM

POLICE CAR

Alexander Bugiel



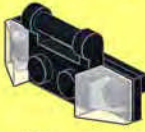
1



1



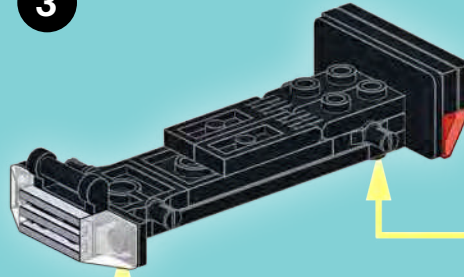
2



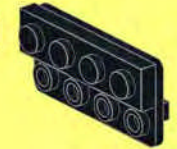
3



3



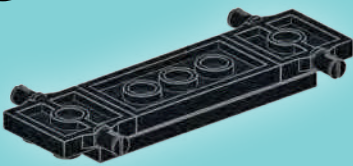
1



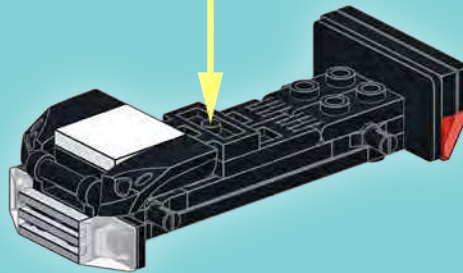
2



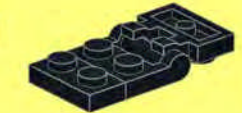
2



4



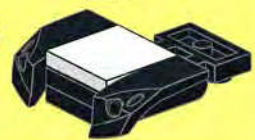
1



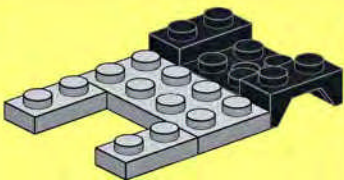
2



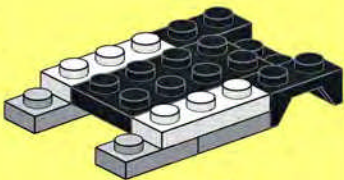
3



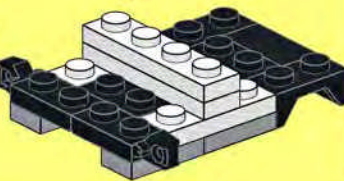
1



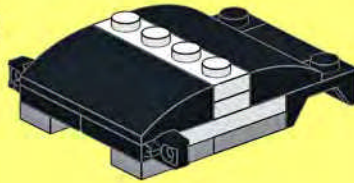
2



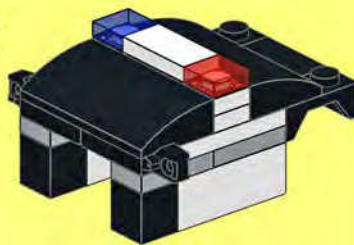
3



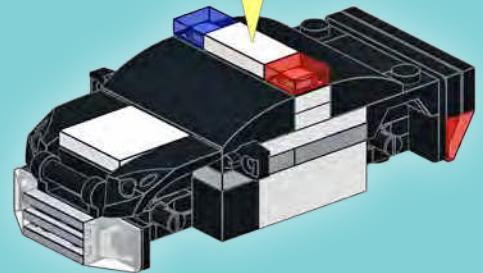
4



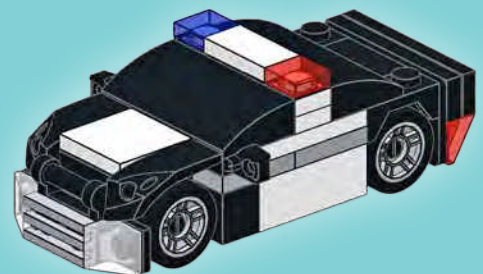
5



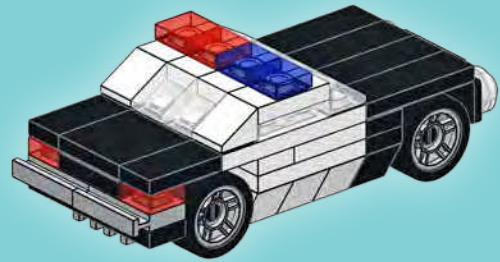
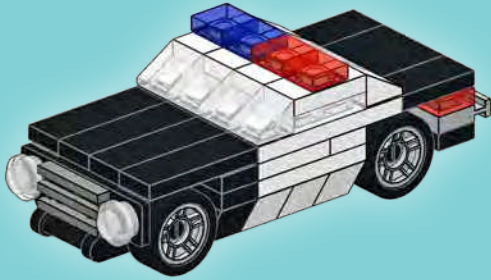
5



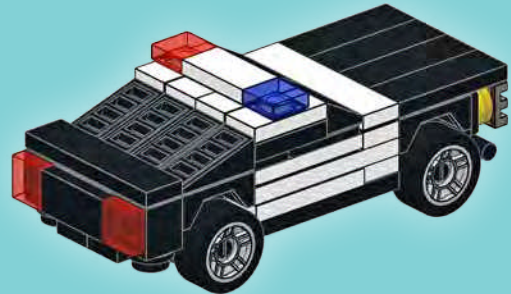
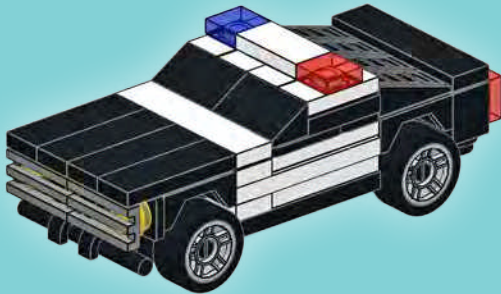
6



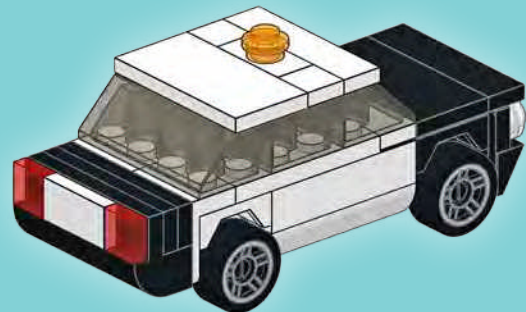
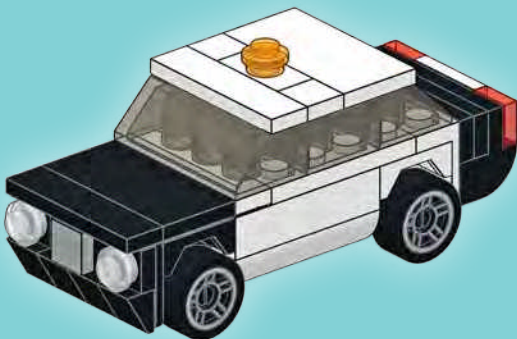
VARIATIONS



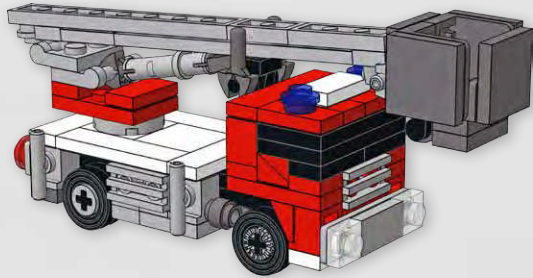
Classic
(see page 84)






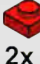





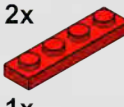



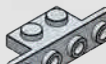








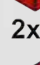




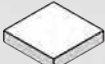
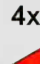





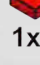



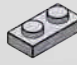

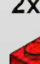





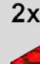








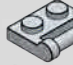



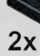
Sporty
(see page 96)



Oldie
(see page 100)



BILL OF MATERIALS

					
4x	5x	8x	2x	4x	1x
					
2x	1x	4x	1x	6x	2x
					
1x	2x	8x	2x	2x	2x
					
1x	1x	1x	1x	4x	5x
					
1x	1x	2x	1x	1x	1x
					
2x	1x	3x	4x	2x	1x
					
1x	1x	1x	1x	2x	2x
					
3x	1x	1x	2x	2x	2x
					
1x	2x	2x	2x	1x	2x
					
1x	2x	1x	2x	2x	2x

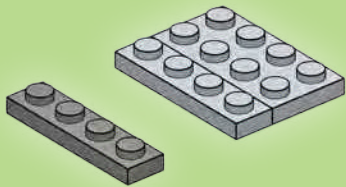
DIFFICULTY LEVEL: MEDIUM

BUCKET TRUCK

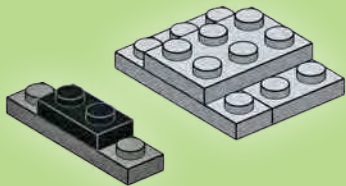
Jarek Książczyk



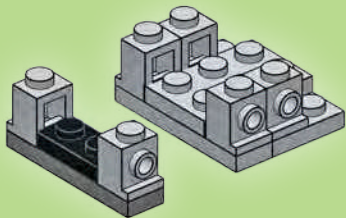
1



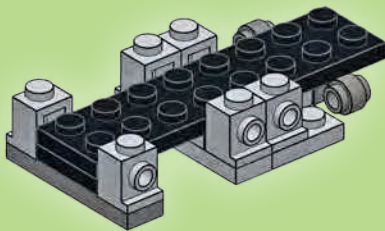
2



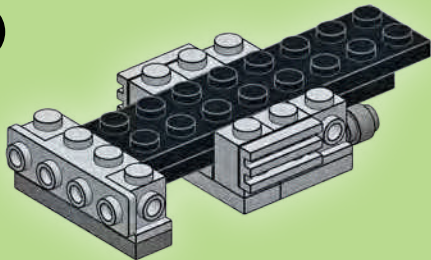
3



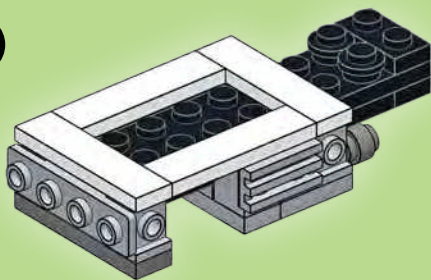
4



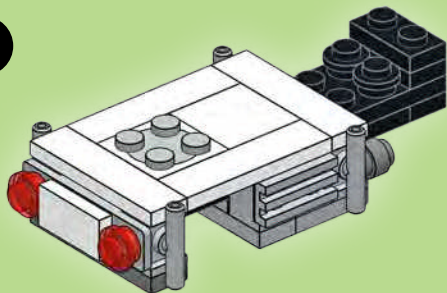
5



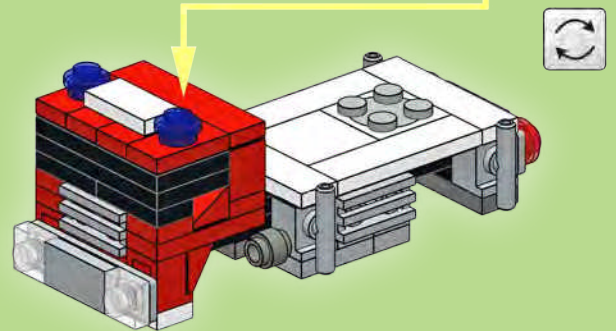
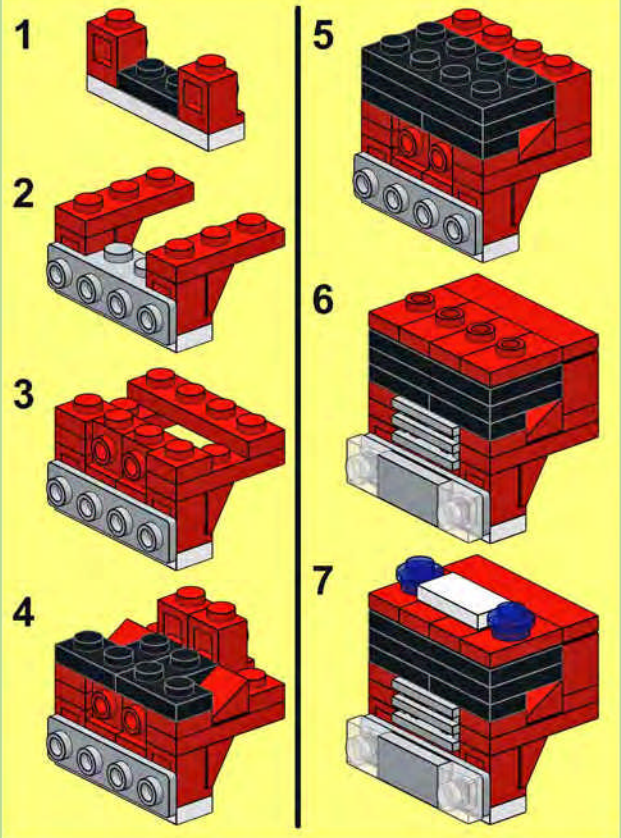
6



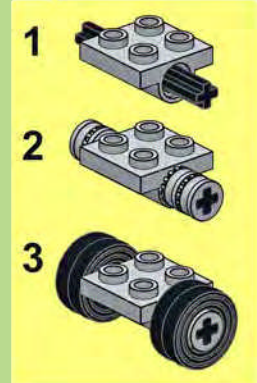
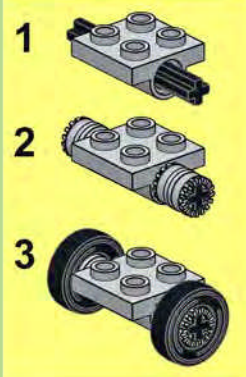
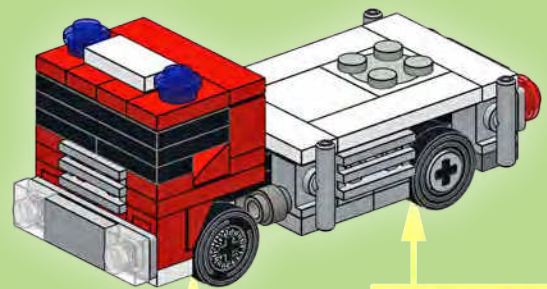
7

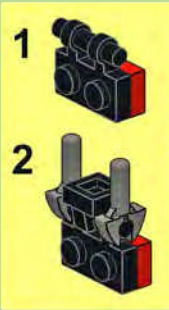


8

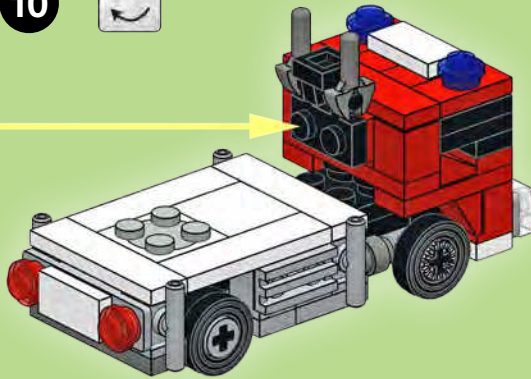


9

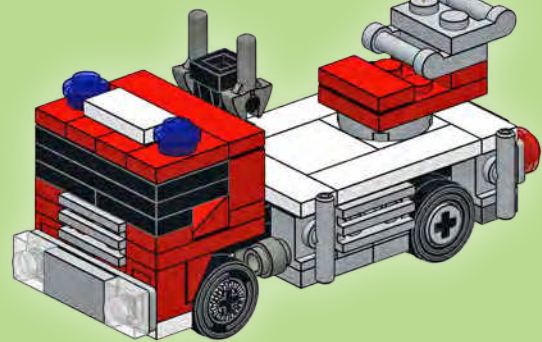
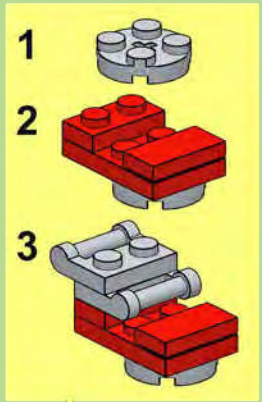




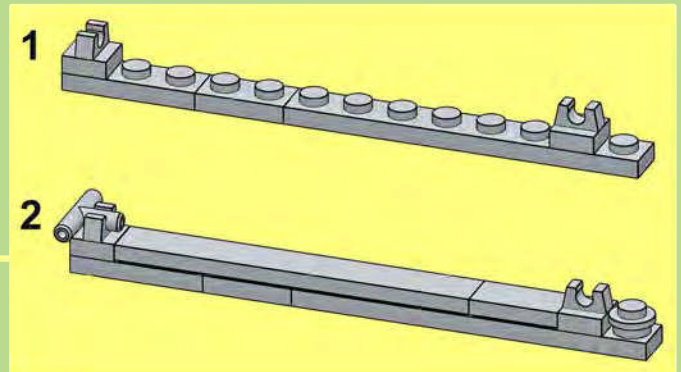
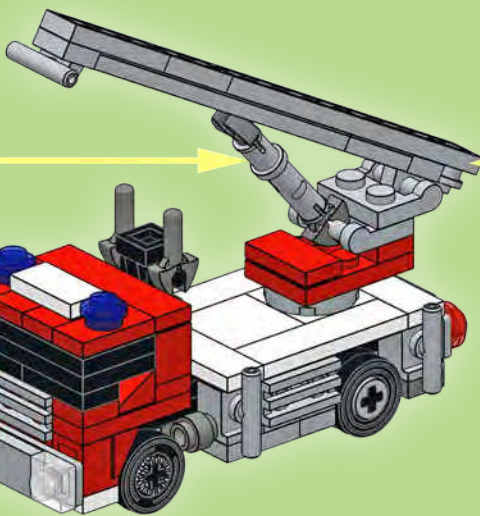
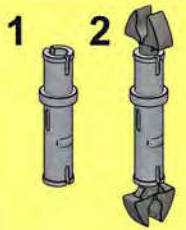
10



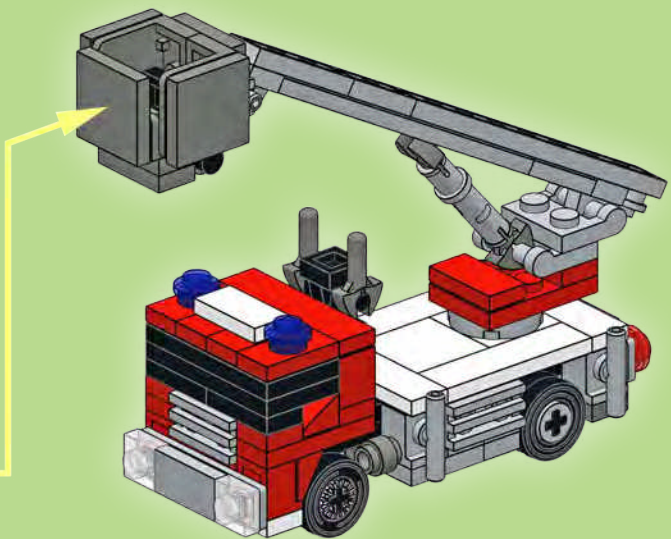
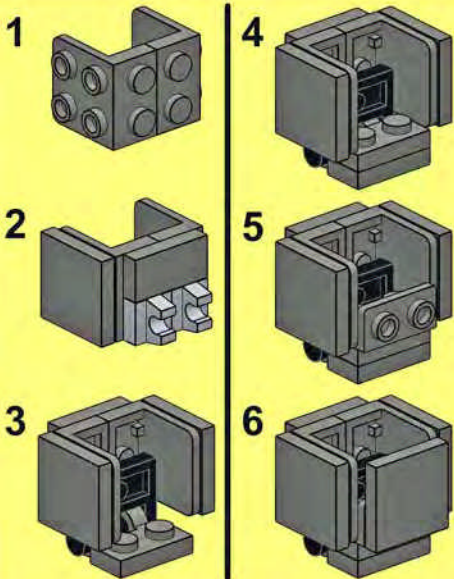
11



12



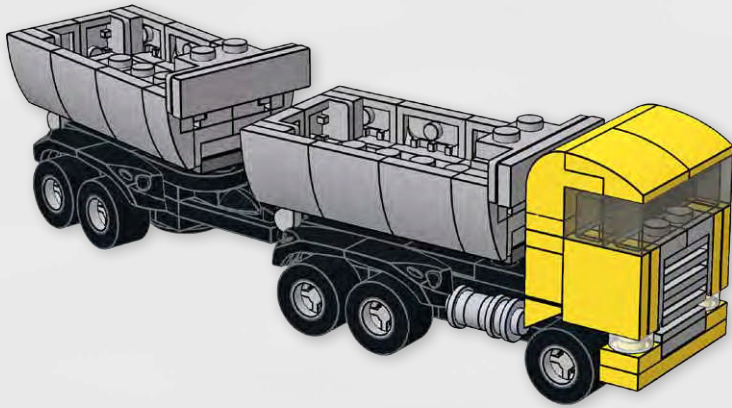
13





THE CONSTRUCTION SITE





BILL OF MATERIALS

1x	1x	1x	1x	2x	1x	2x
6x	4x	1x	2x	4x	1x	1x
2x	10x	2x	2x	1x	5x	1x
2x	1x	4x	2x	1x	2x	10x
2x	2x	9x	2x	2x	1x	3x
2x	2x	10x	3x	2x	1x	2x
2x	2x	4x	1x	2x	1x	1x
2x	2x	2x	2x	4x	2x	1x
1x	12x	2x	2x	2x	2x	3x

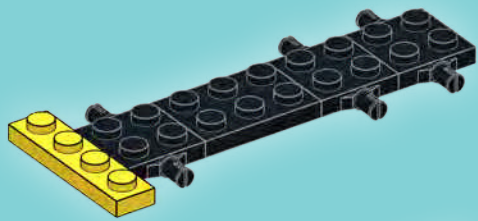
DIFFICULTY LEVEL: EASY

DOUBLE DUMP TRUCK

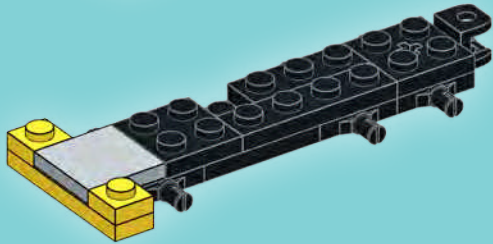
Robert Heim



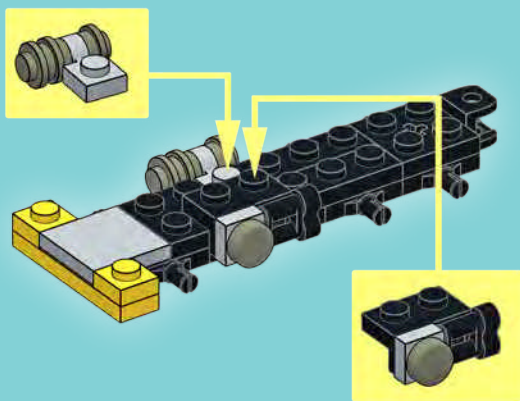
1



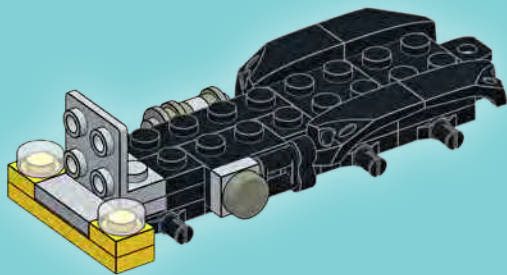
2



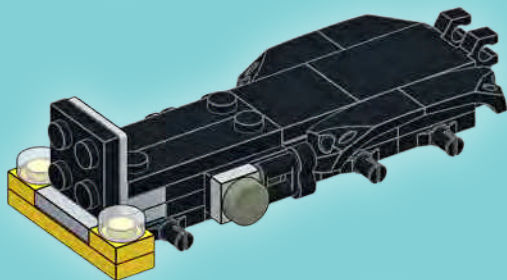
3



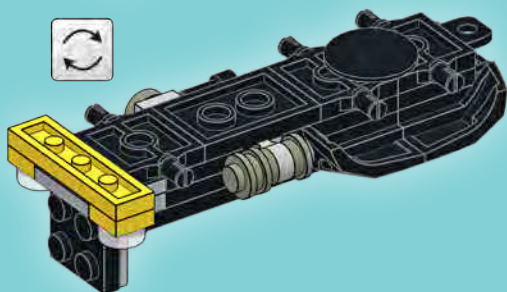
4



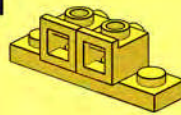
5



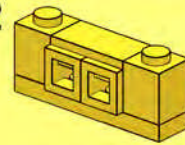
6



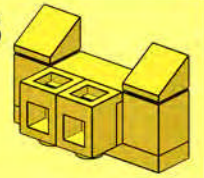
1



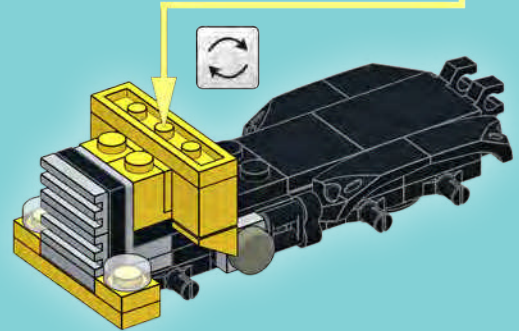
2



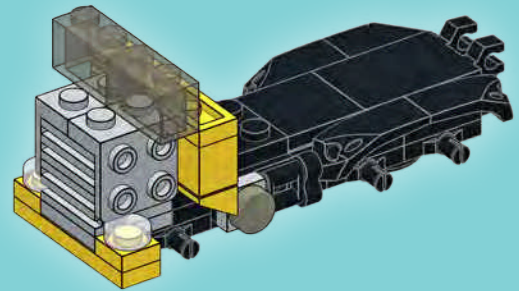
3



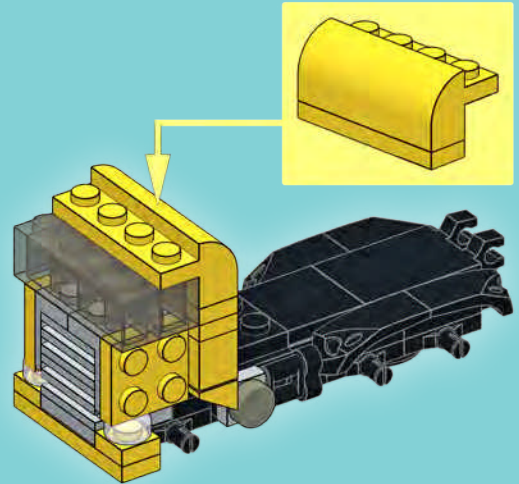
7



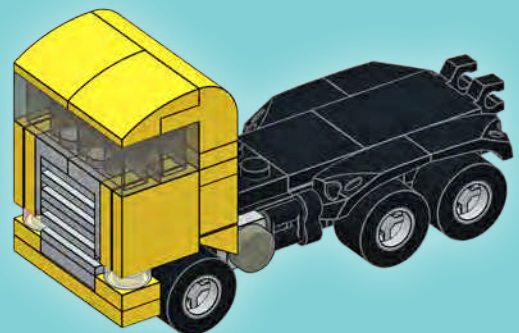
8

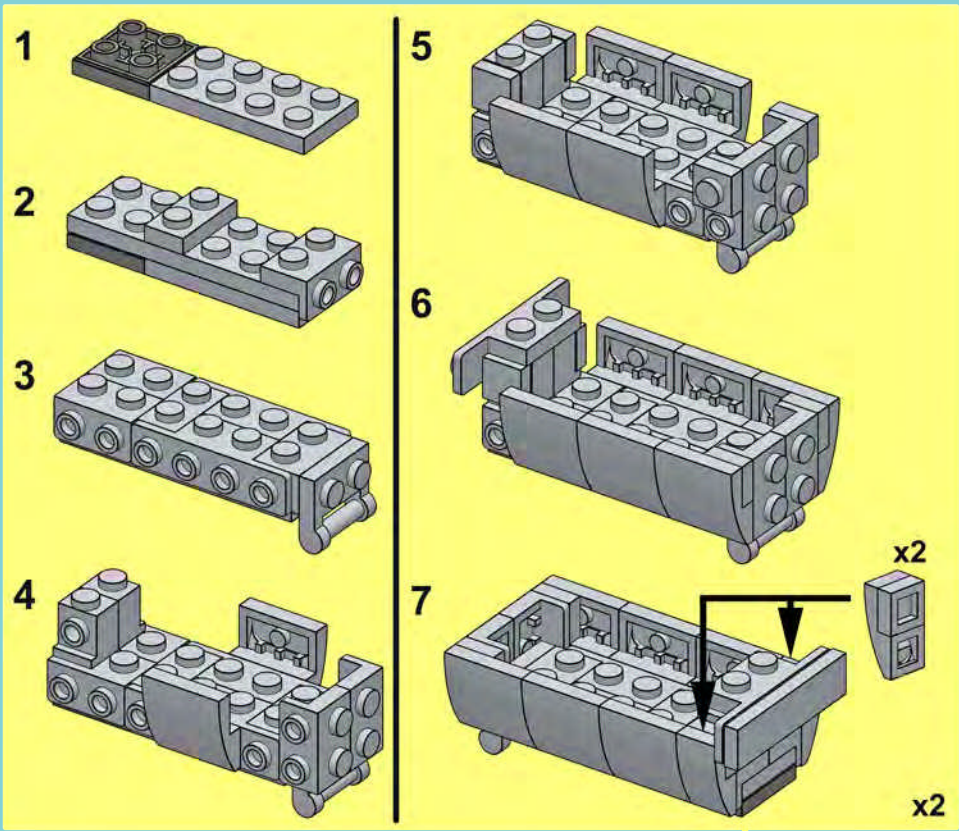


9

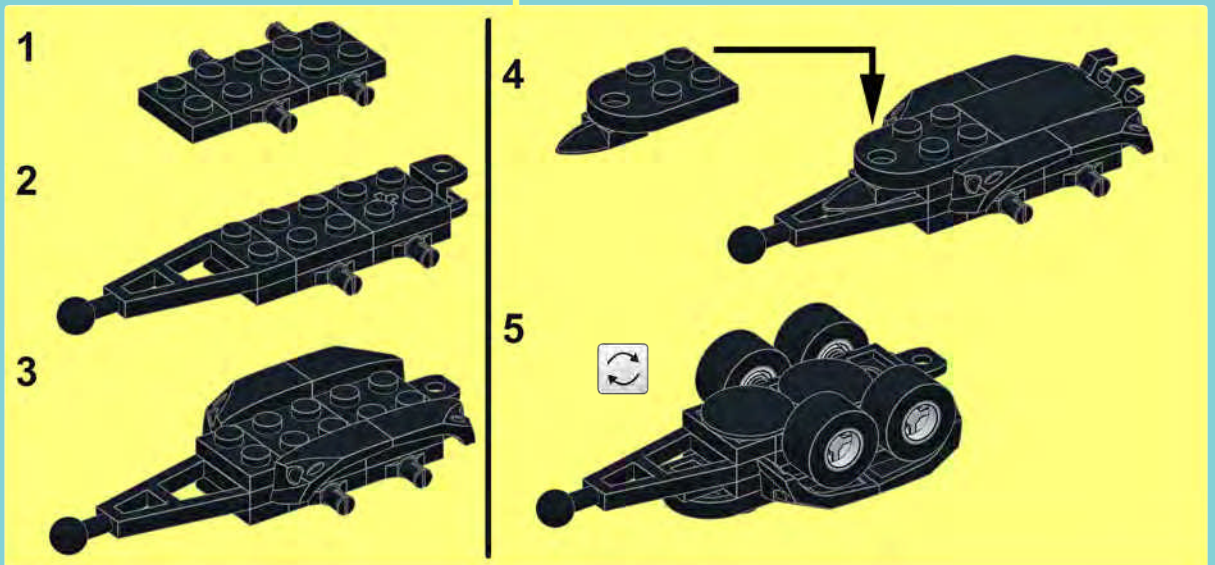
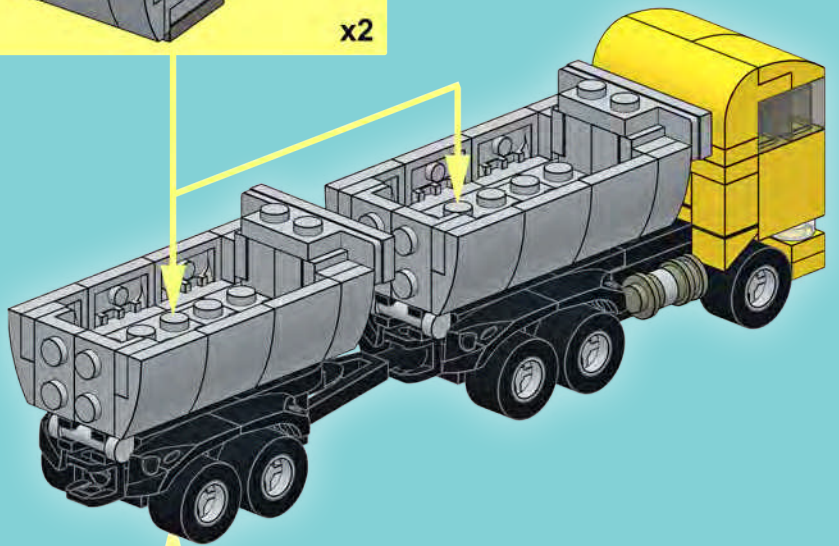


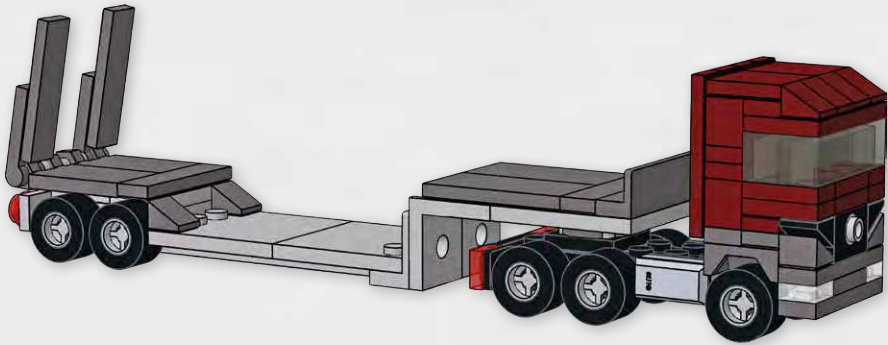
10







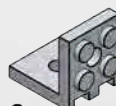



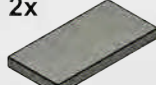









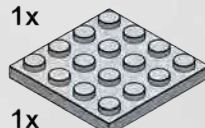






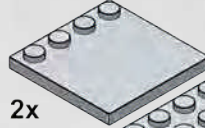
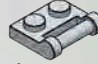



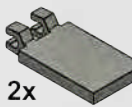
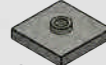
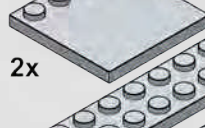




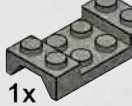

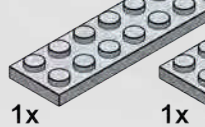



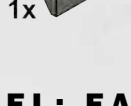
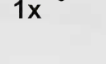



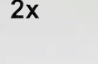


11





BILL OF MATERIALS

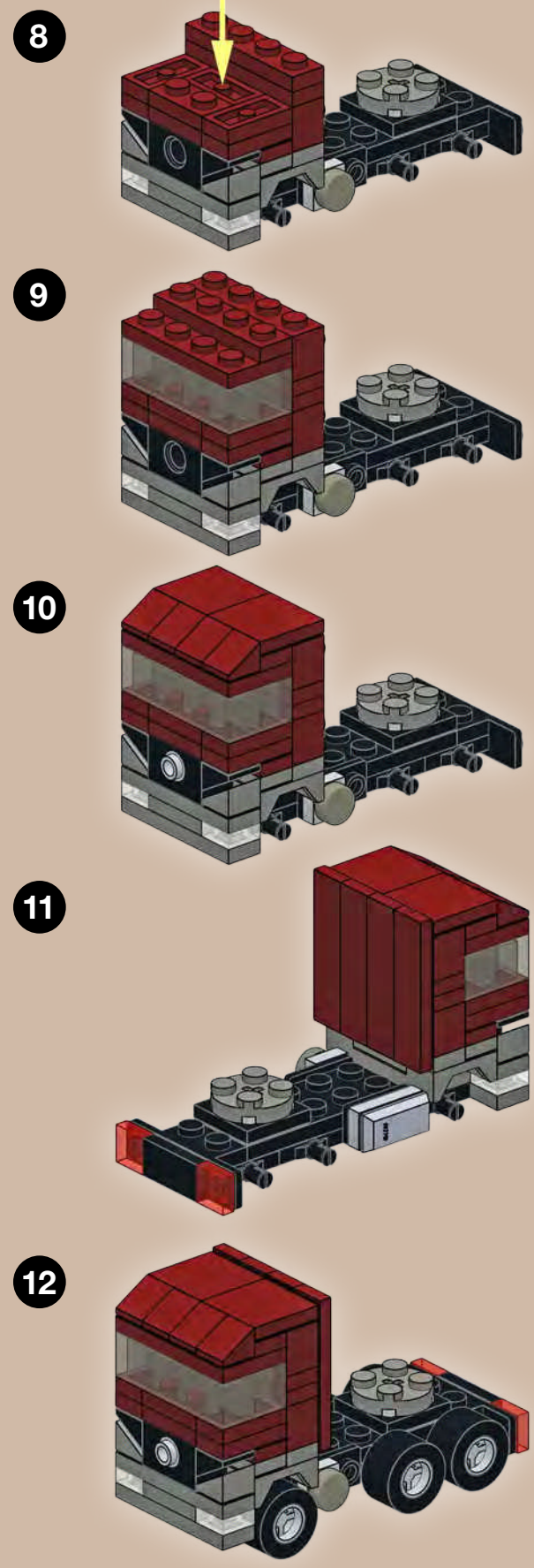
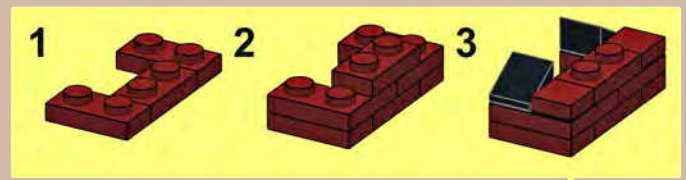
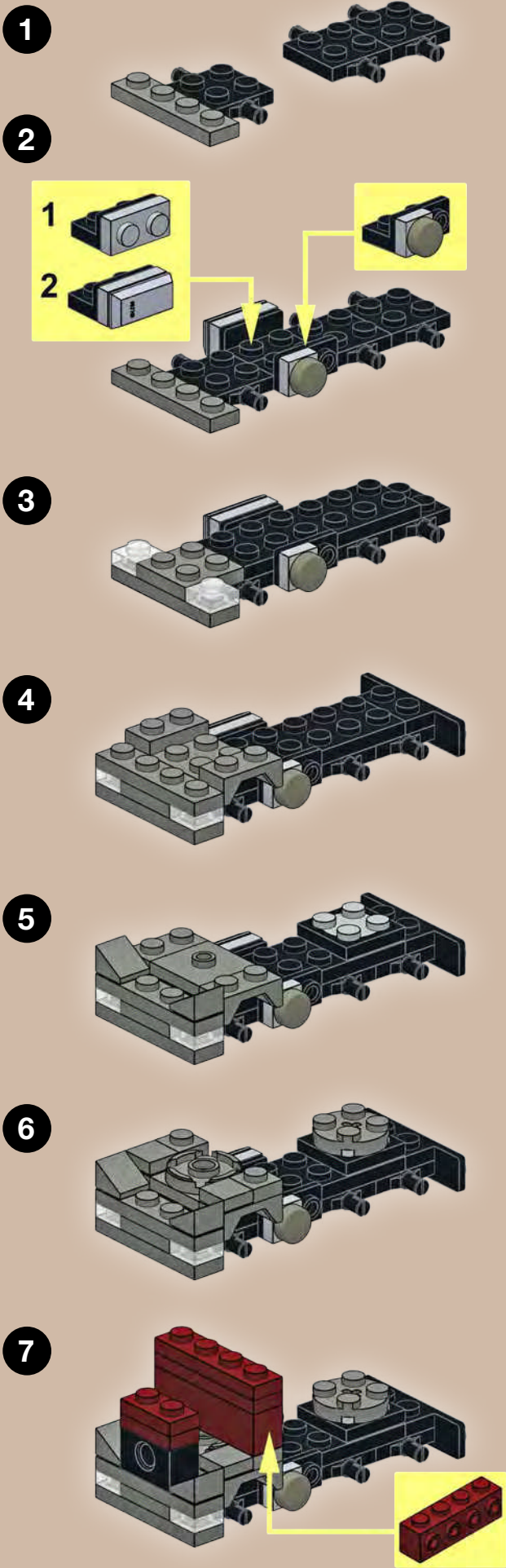
						
2x	2x	2x	4x	2x	10x	2x
						
2x	2x	4x	1x	1x	2x	2x
						
4x	1x	2x	1x	1x	2x	10x
						
3x	1x	1x	2x	2x	1x	1x
						
2x	2x	2x	1x	2x	2x	3x
						
1x	4x	1x	2x	1x	2x	1x
						
	6x	1x	1x	1x	1x	1x
						
					2x	
					1x	

DIFFICULTY LEVEL: EASY

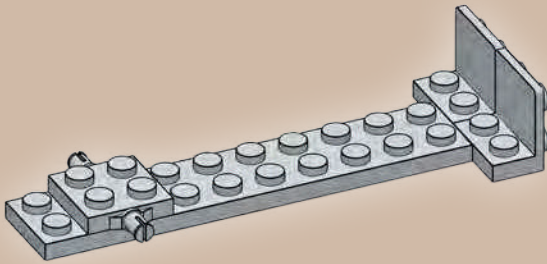
FLATBED HAULER

Robert Heim

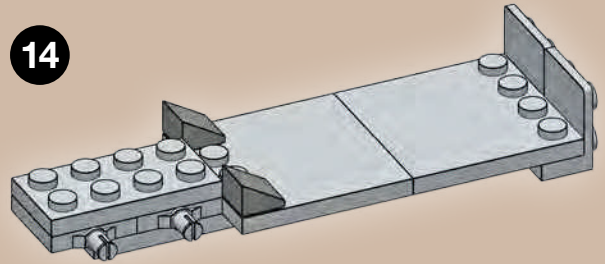




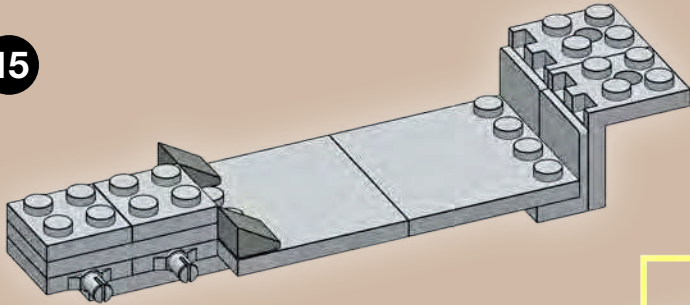
13



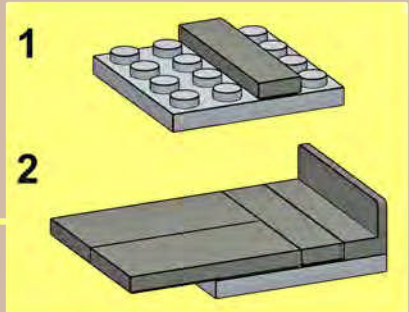
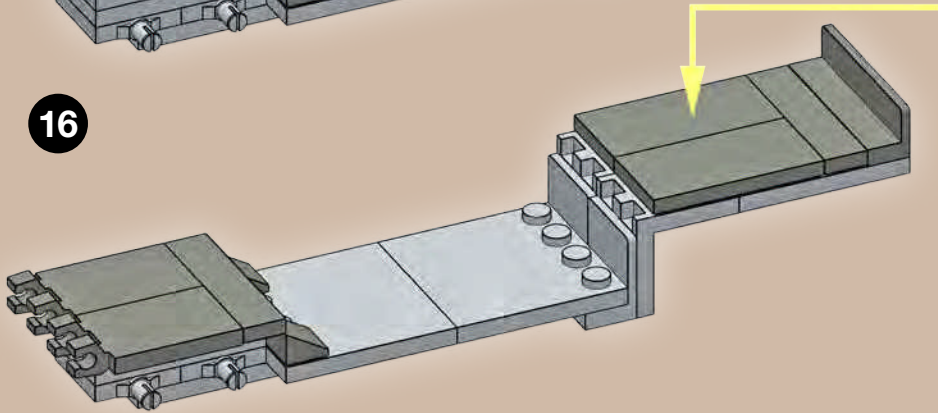
14



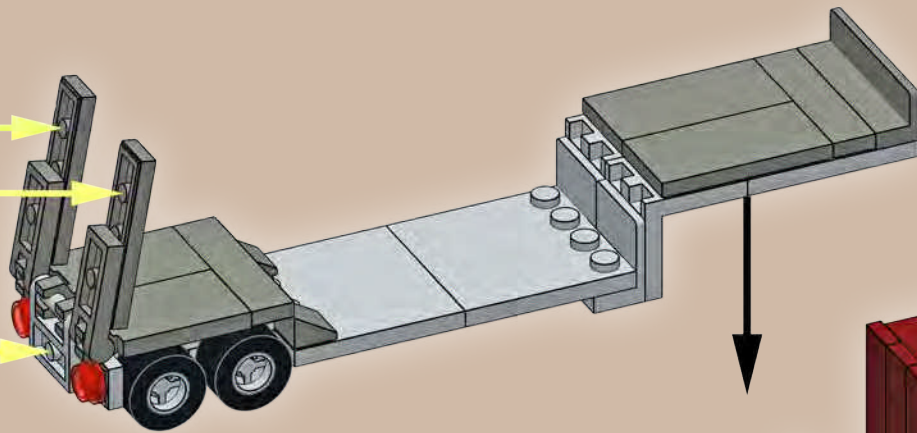
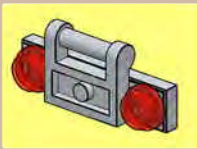
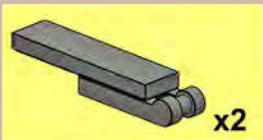
15



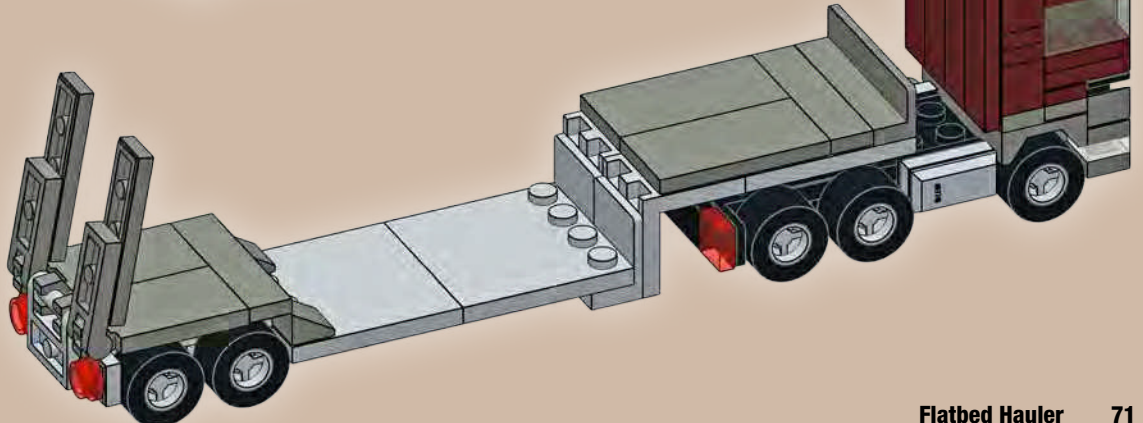
16



17



18



EXCAVATOR

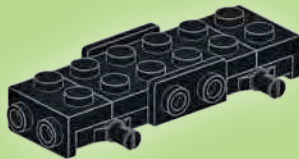
Robert Heim



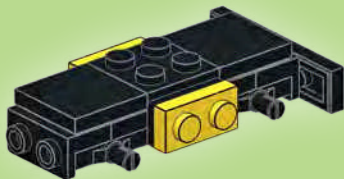
1



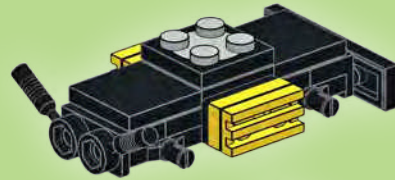
2



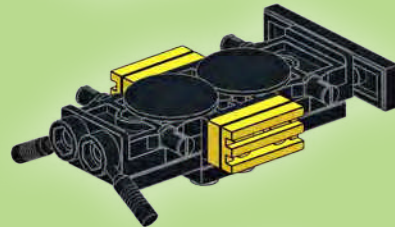
3



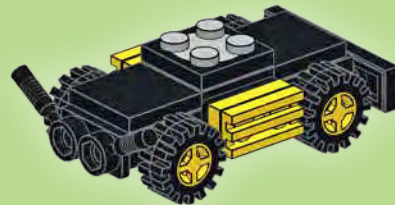
4



5



6

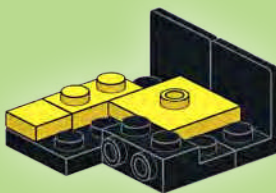


7

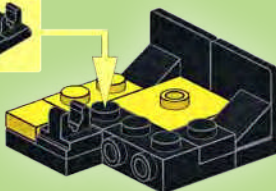
1



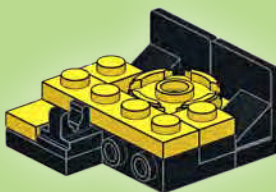
2



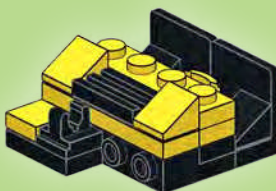
3



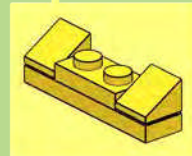
4



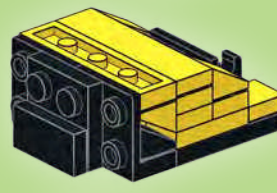
5



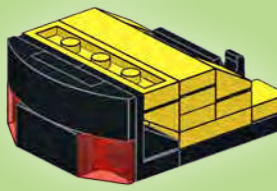
6



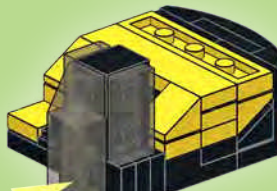
7



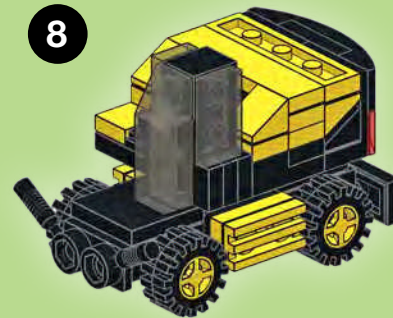
8



9



8



1



2



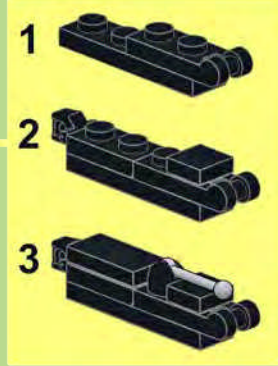
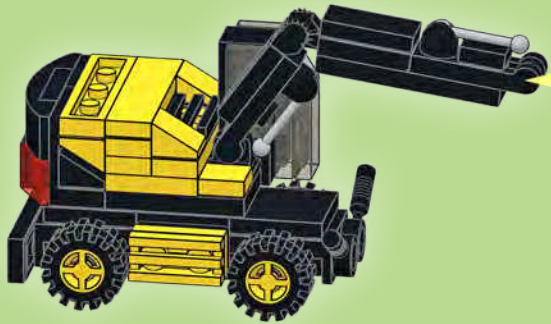
3



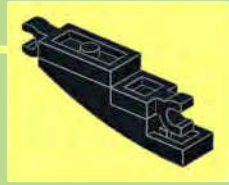
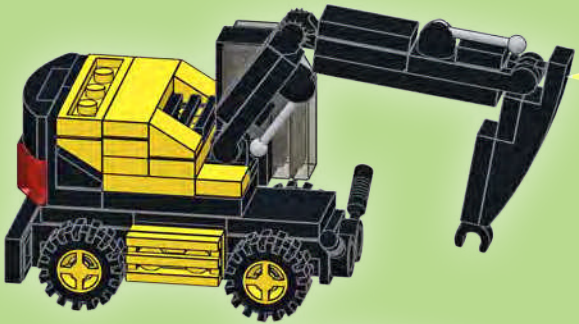
9



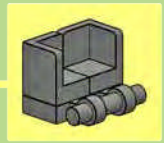
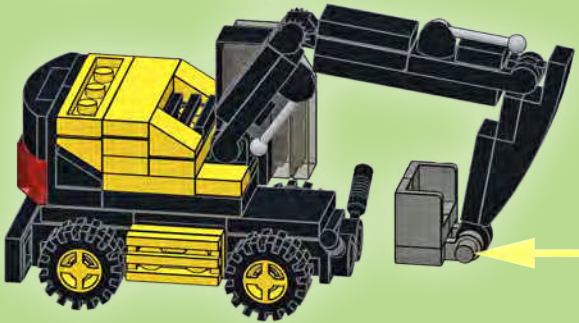
10



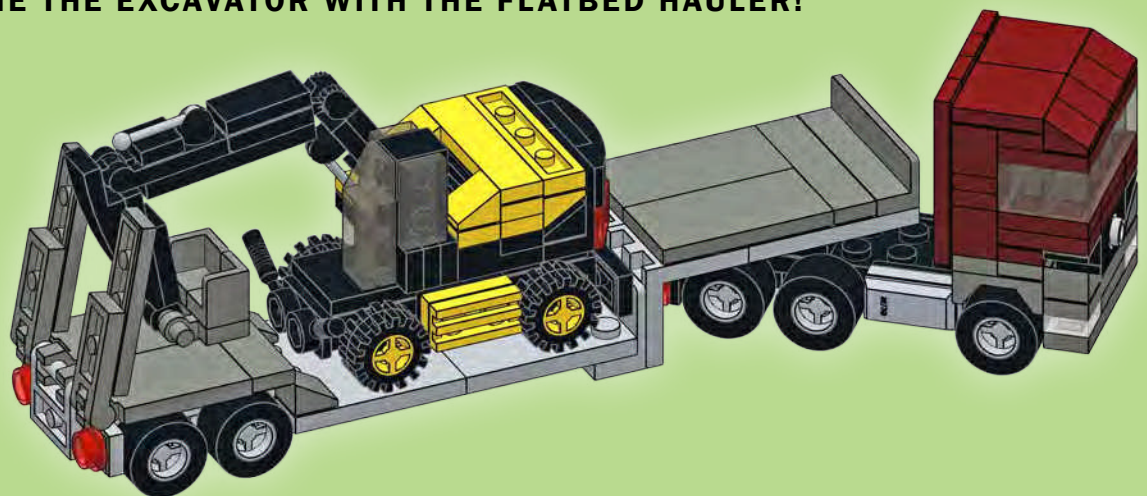
11

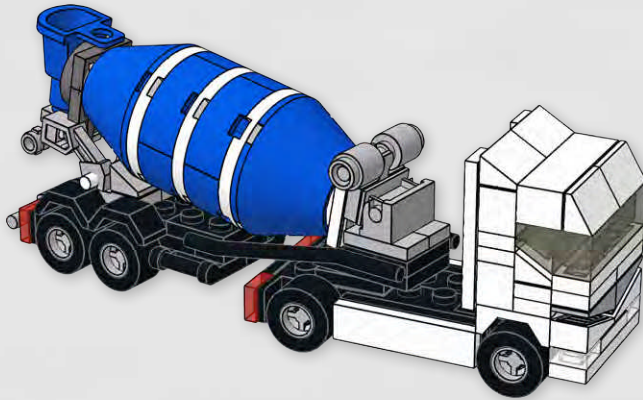


12

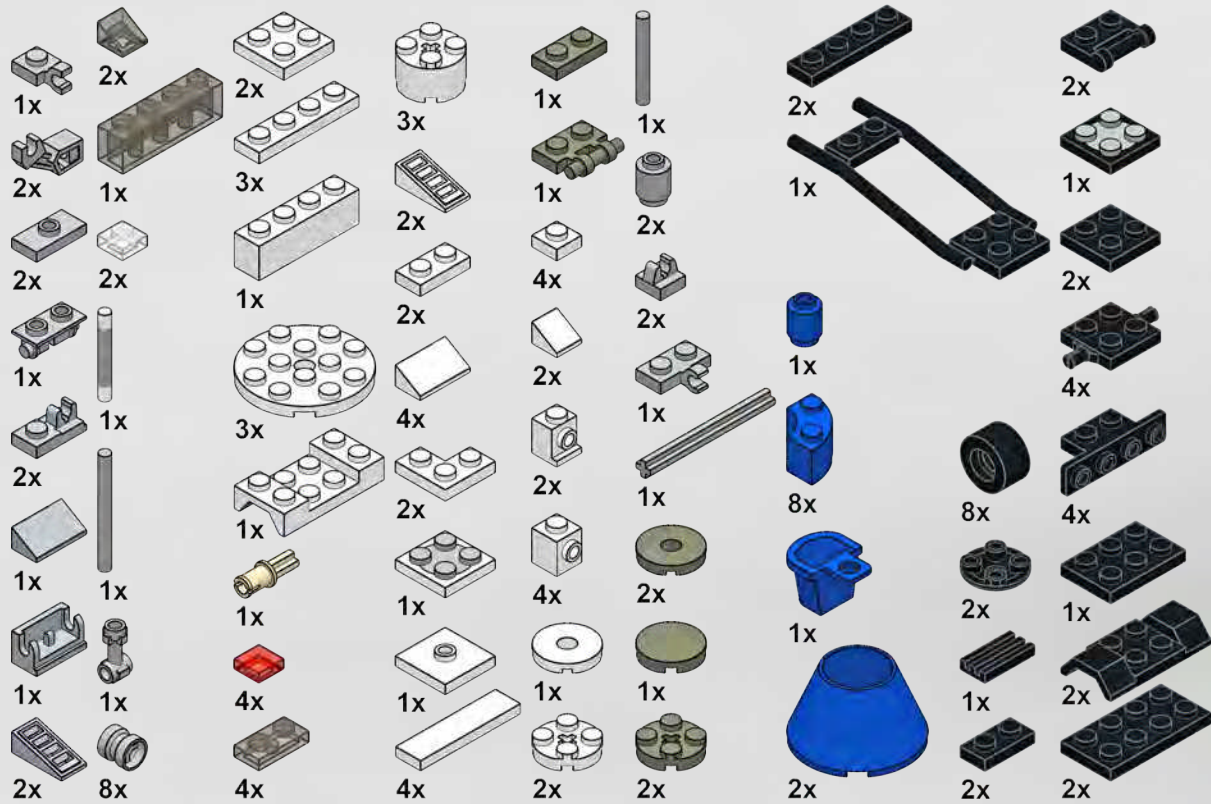


COMBINE THE EXCAVATOR WITH THE FLATBED HAULER!





BILL OF MATERIALS

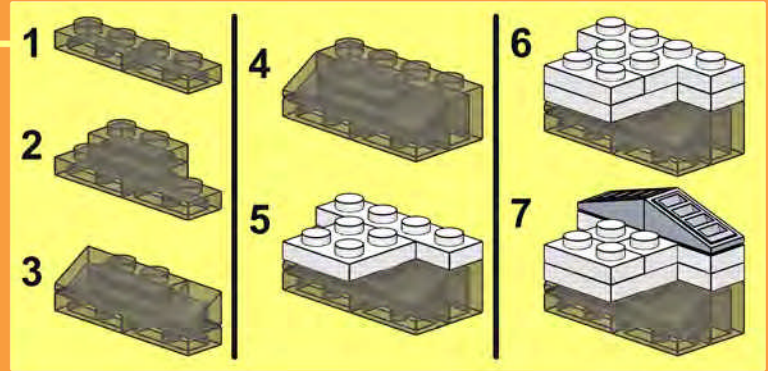
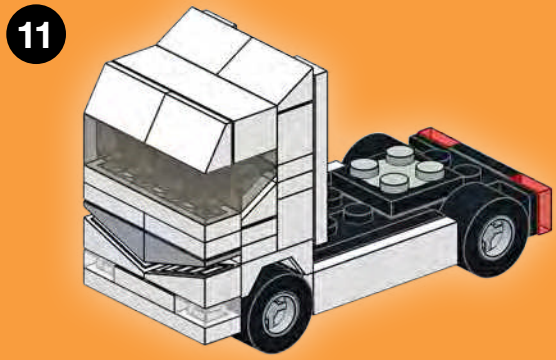
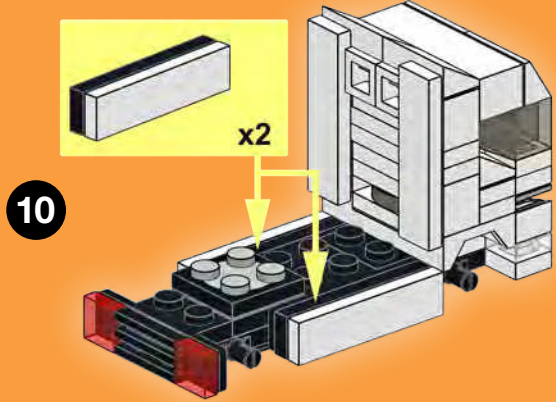
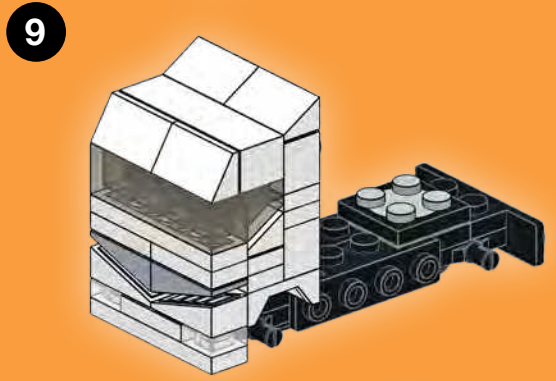
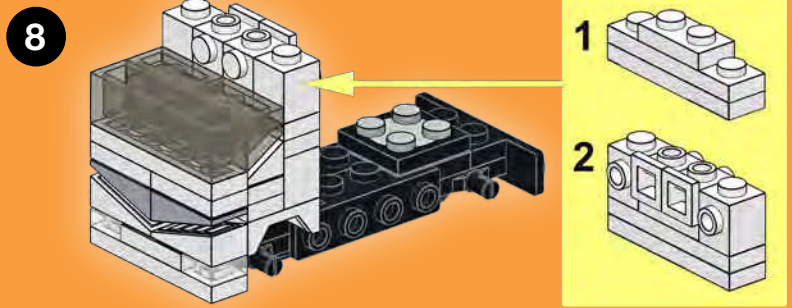
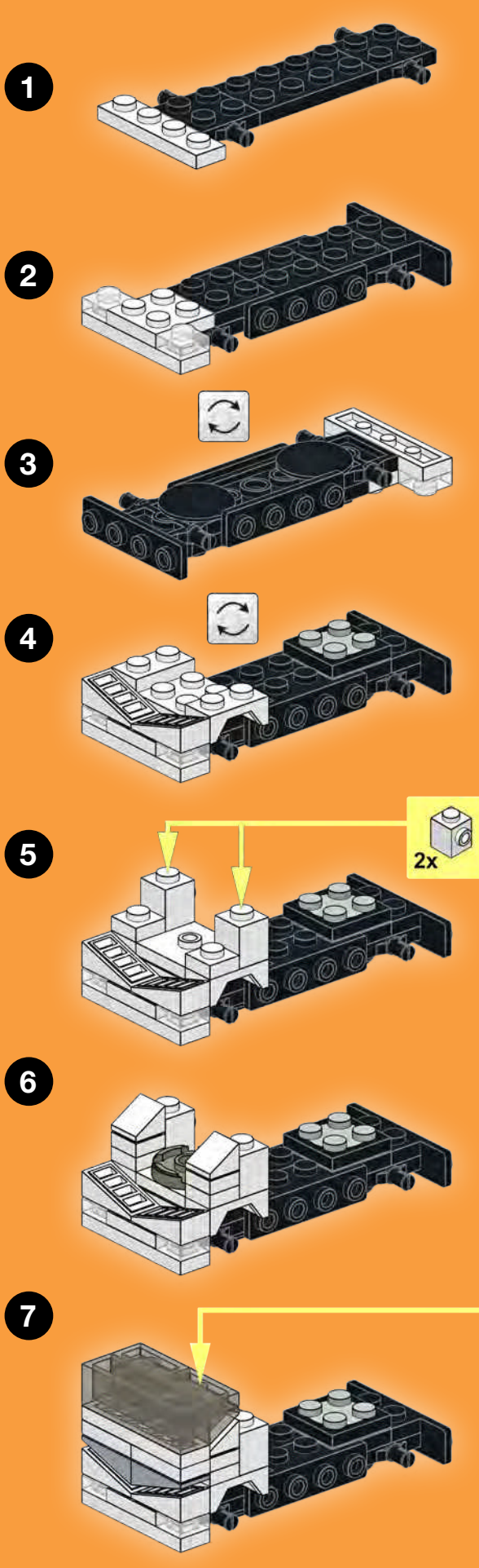


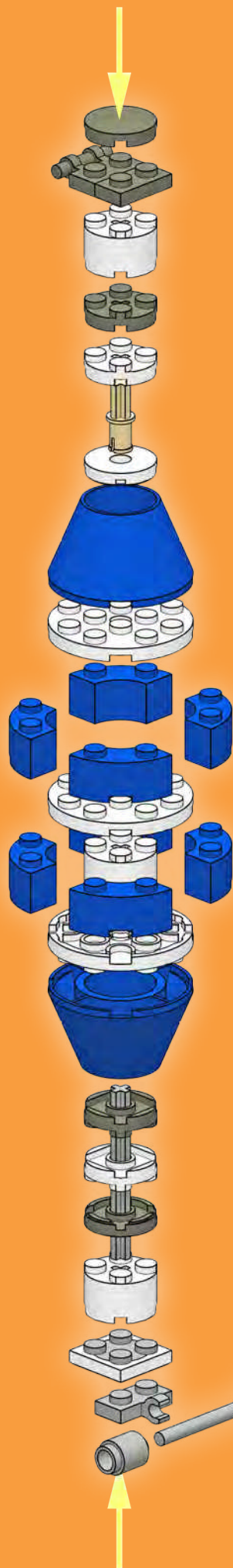
DIFFICULTY LEVEL: MEDIUM

CEMENT MIXER

Robert Heim



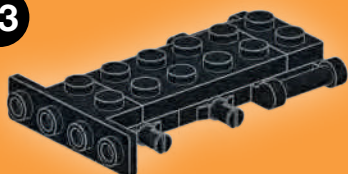




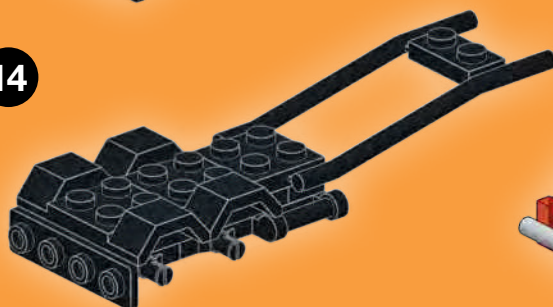
12



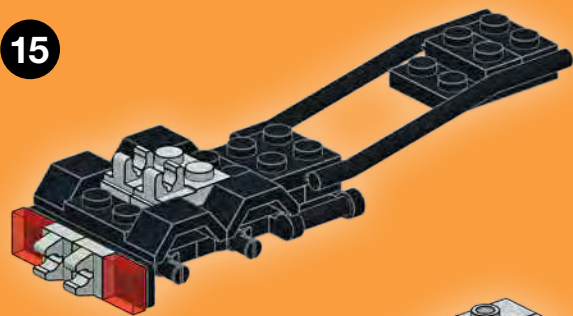
13



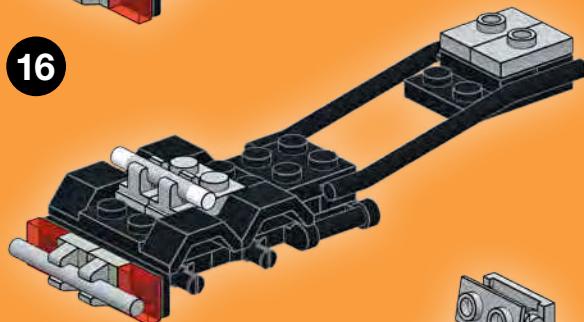
14



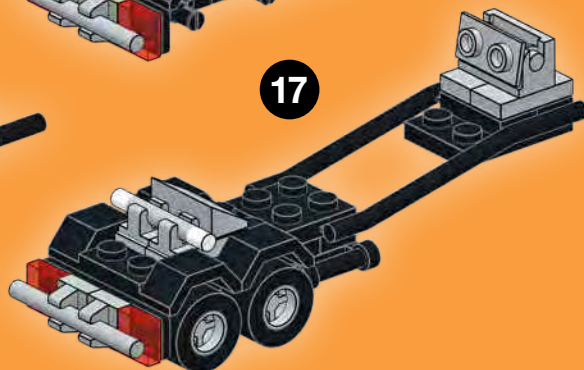
15



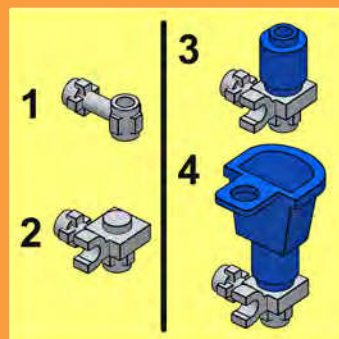
16



17



18



19



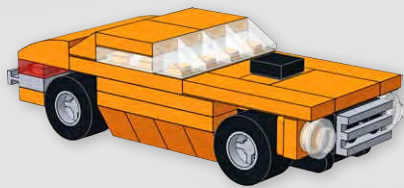
2x



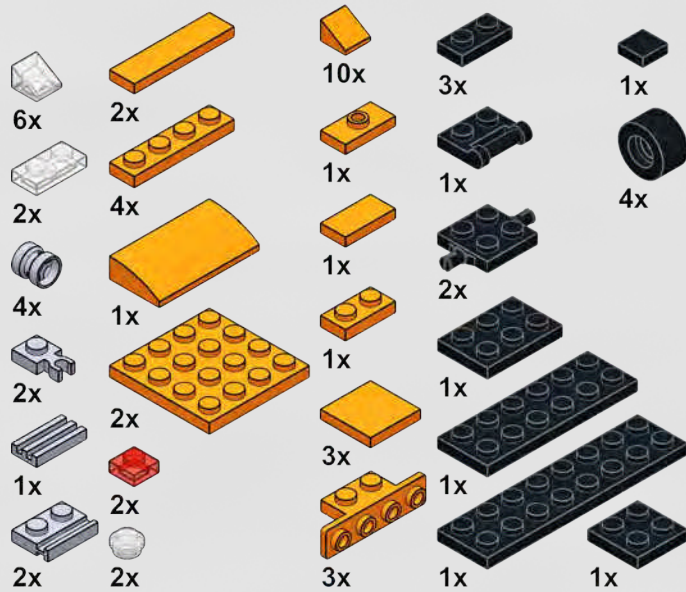
BENNY'S CARS

THE CAR DEALER





BILL OF MATERIALS



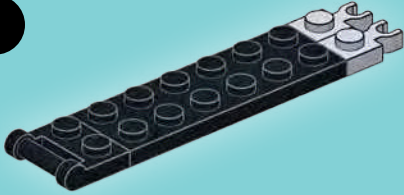
DIFFICULTY LEVEL: EASY

SPORTS CAR

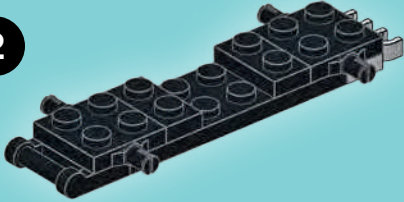
Liam Bates



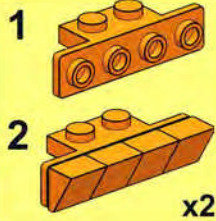
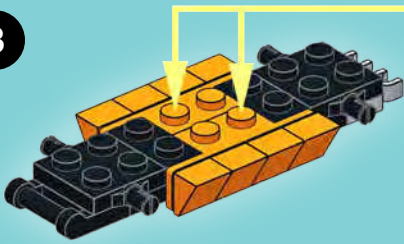
1



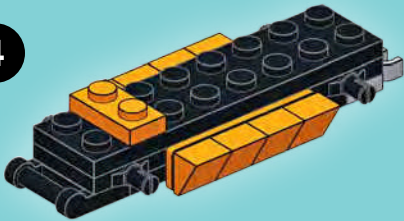
2



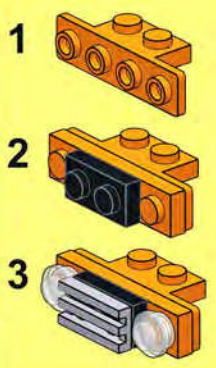
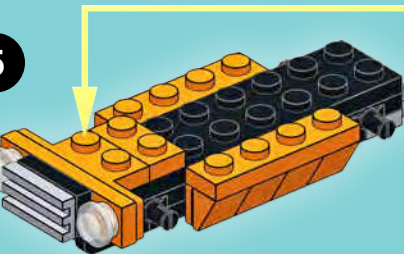
3



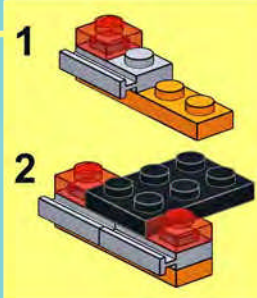
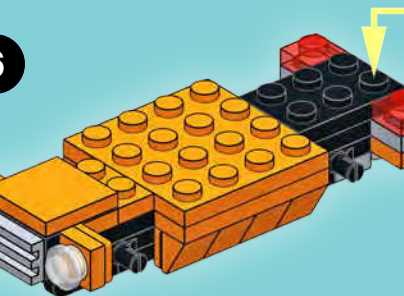
4



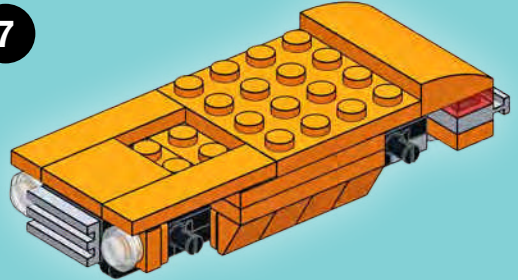
5



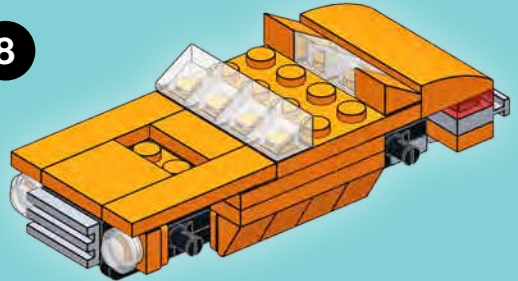
6



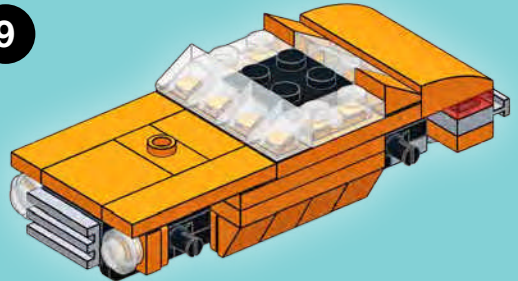
7



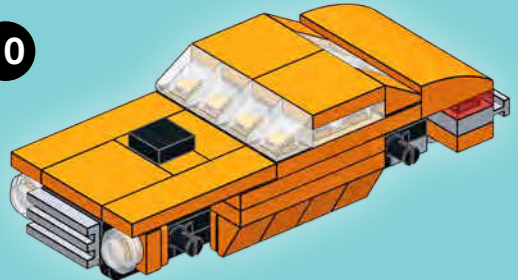
8



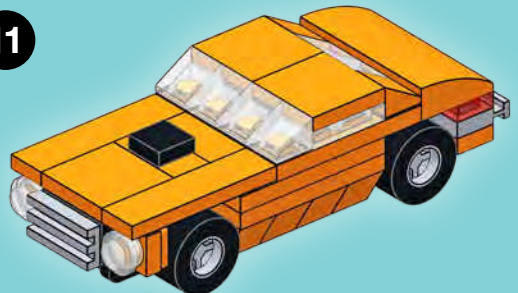
9



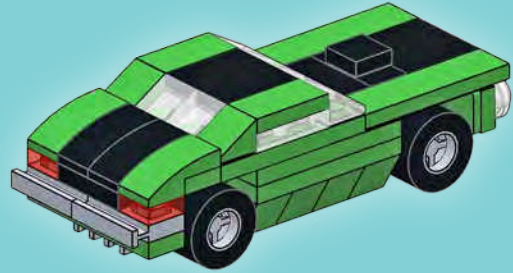
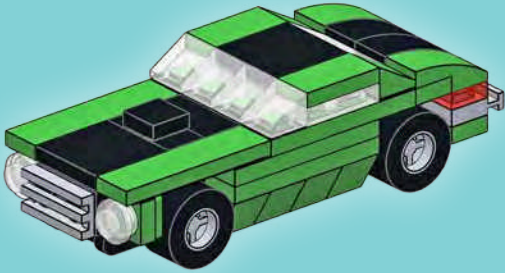
10



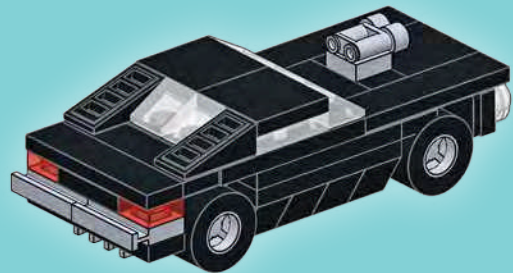
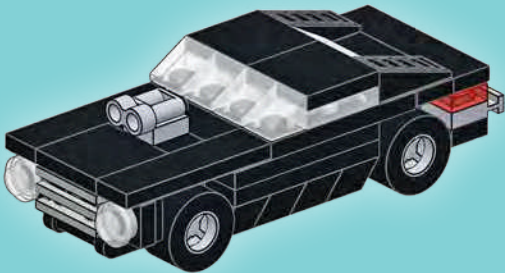
11



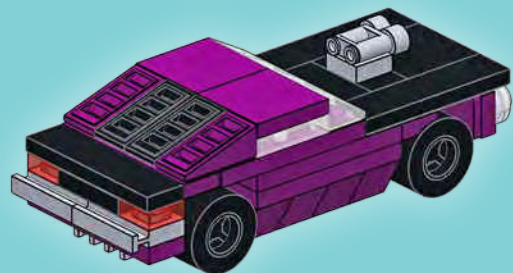
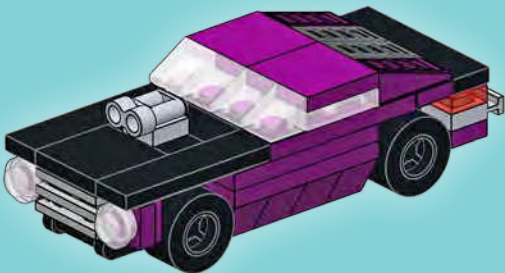
VARIATIONS



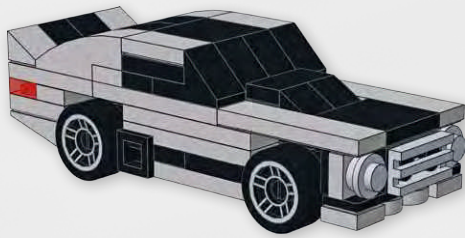
Hood Scoop



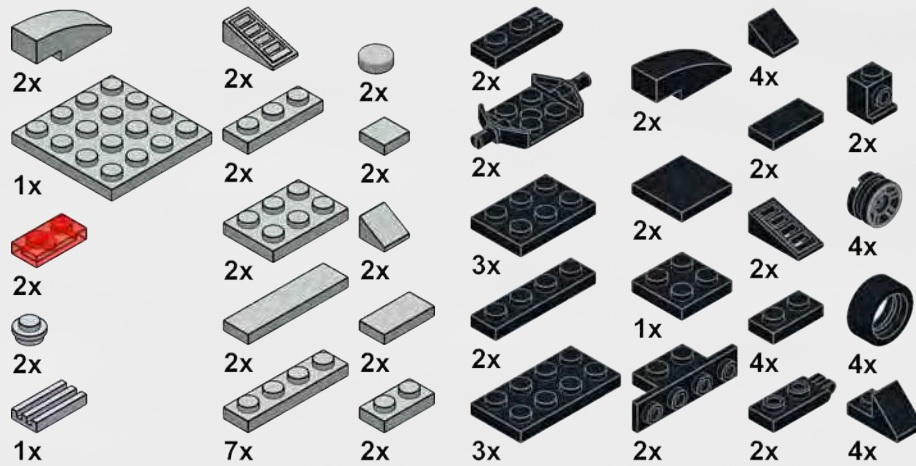
Charger



Rear Window Louvers



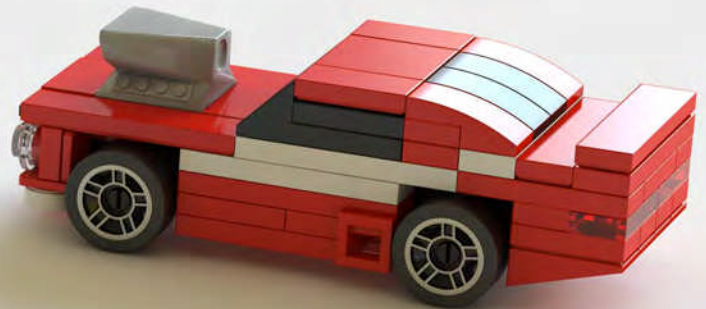
BILL OF MATERIALS



DIFFICULTY LEVEL: MEDIUM

FASTBACK

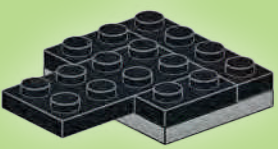
Liam Bates



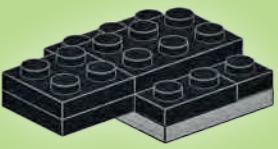
1



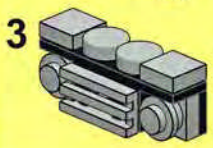
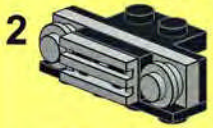
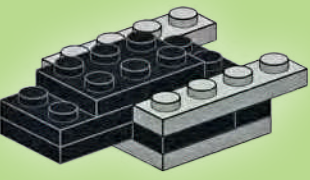
2



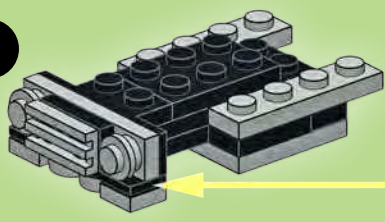
3



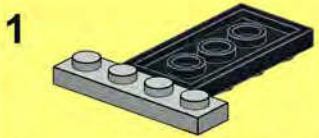
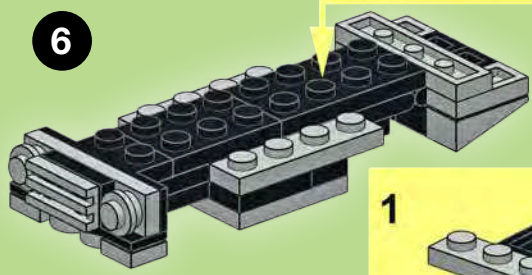
4



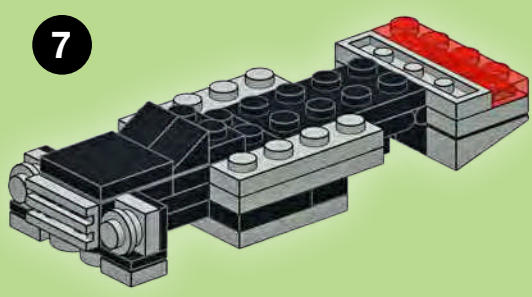
5



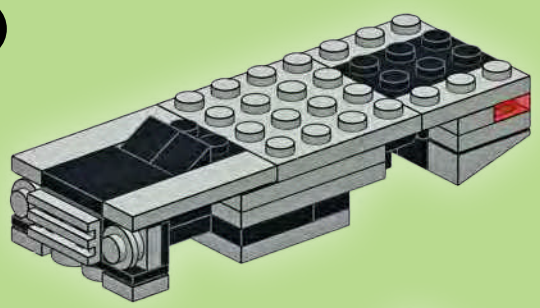
6



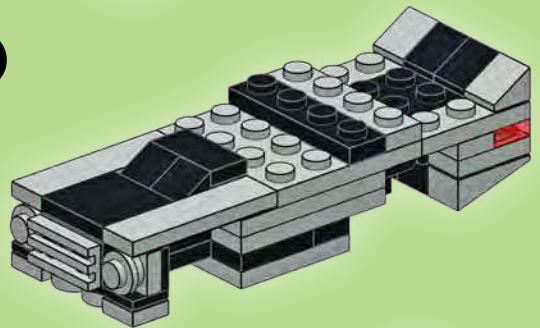
7



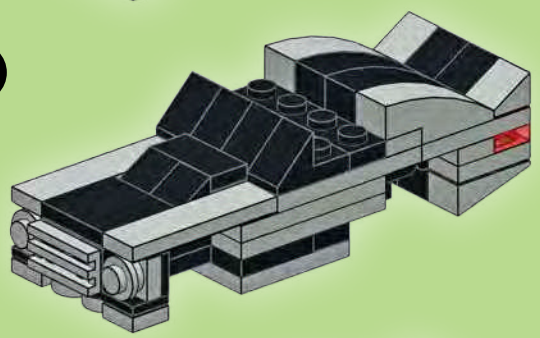
8



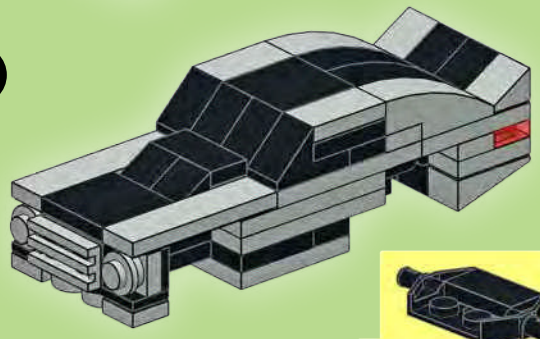
9



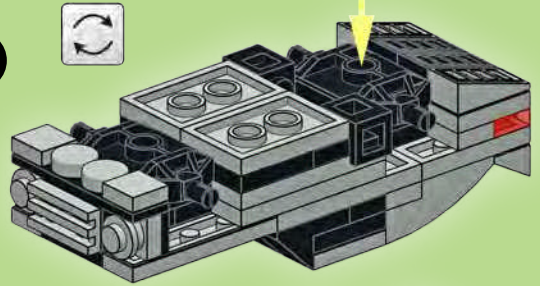
10



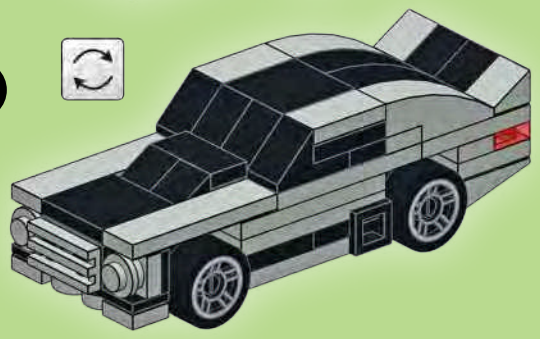
11



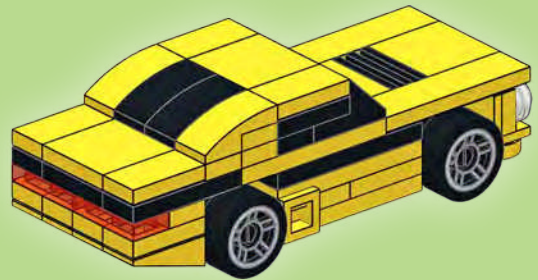
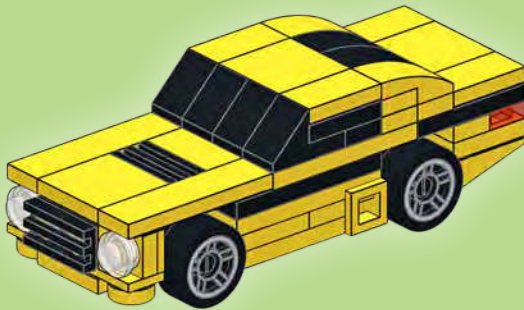
12



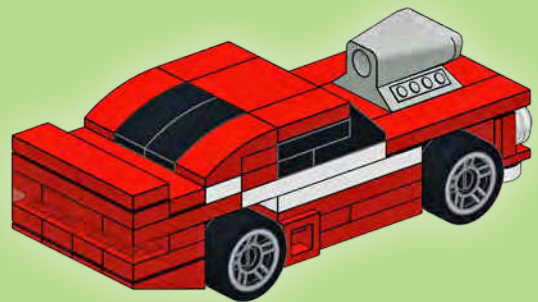
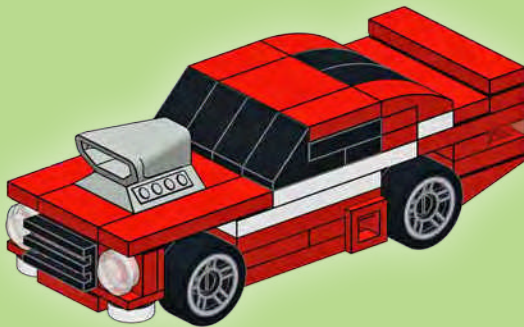
13



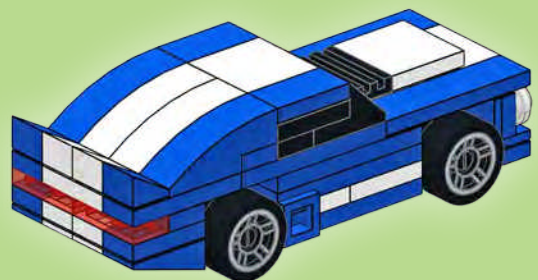
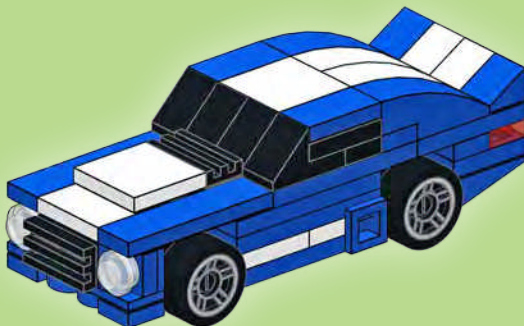
VARIATIONS



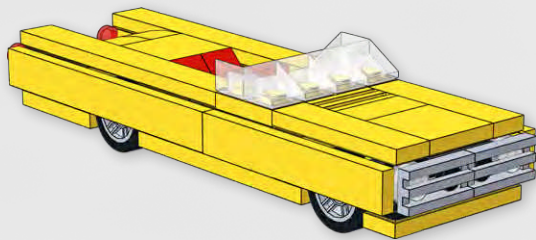
Daily Driver



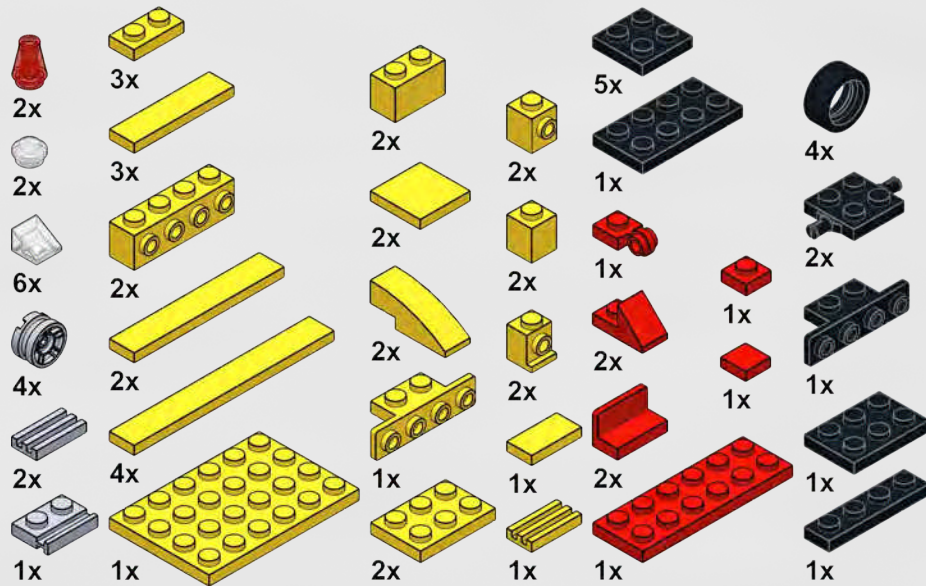
Supercharged



Racing Stripe



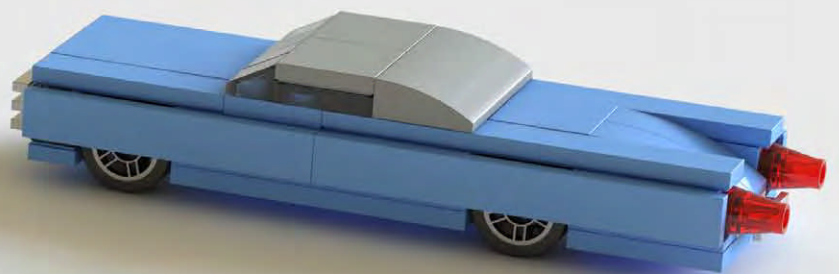
BILL OF MATERIALS



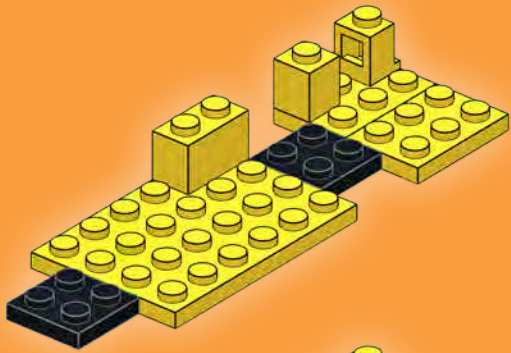
DIFFICULTY LEVEL: EASY

LOWRIDER

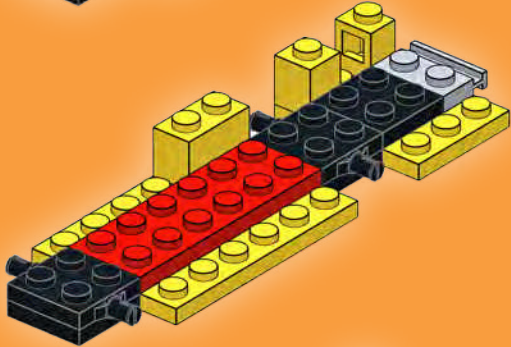
Liam Bates



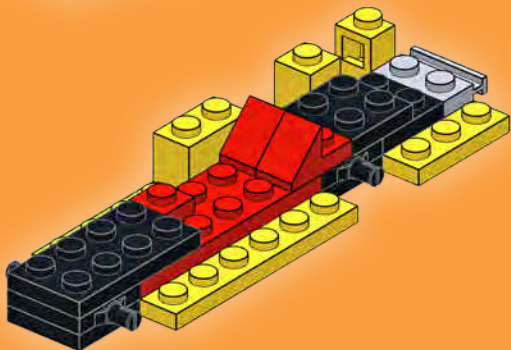
1



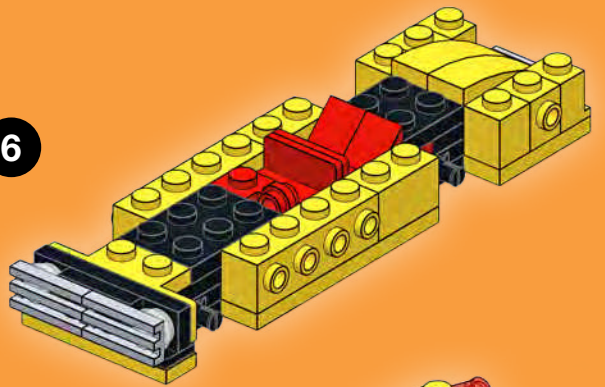
2



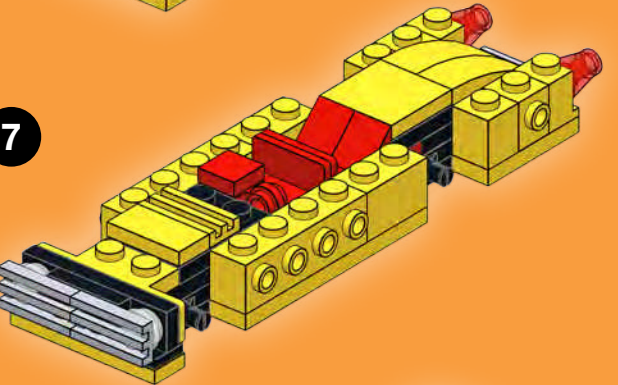
3



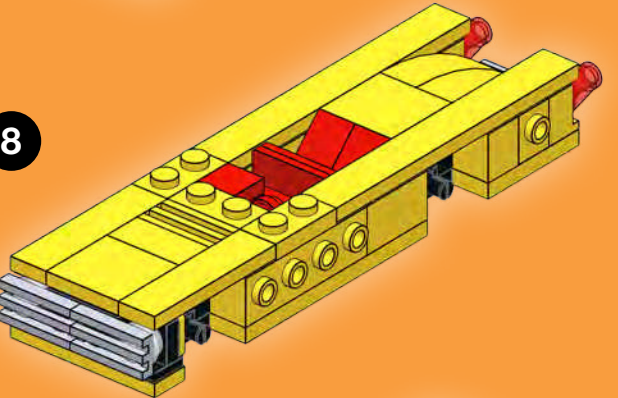
6



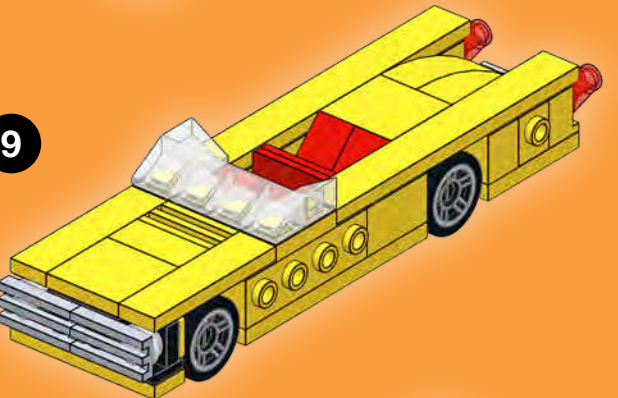
7



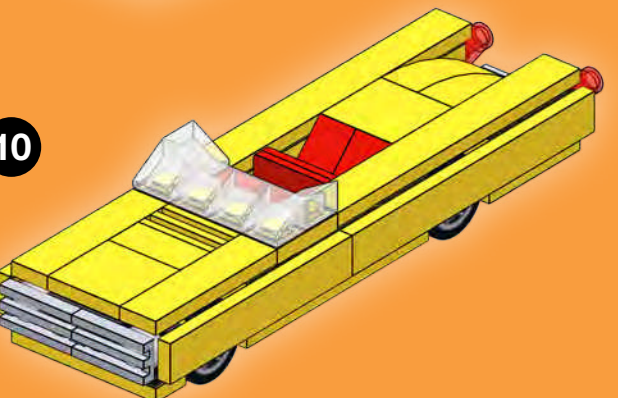
8



9



10



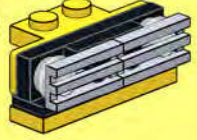
1



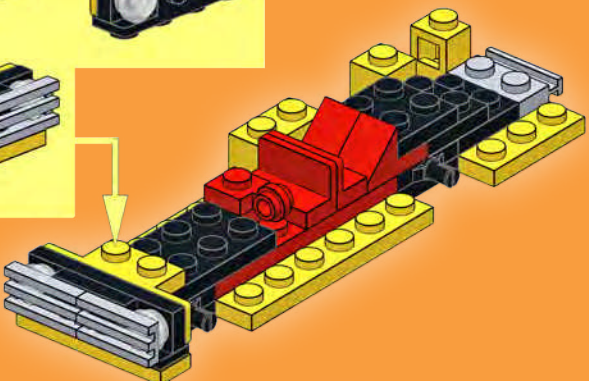
2



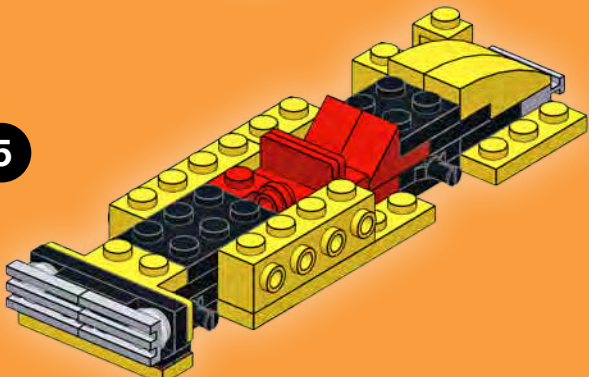
3



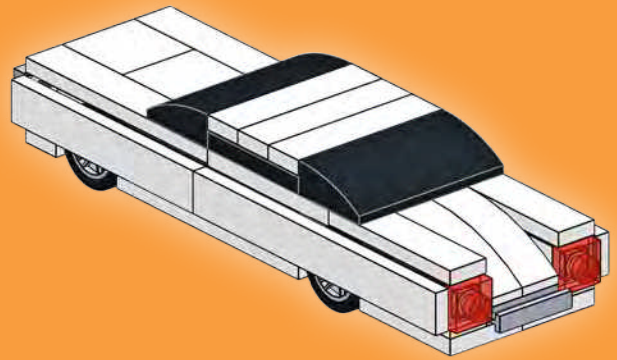
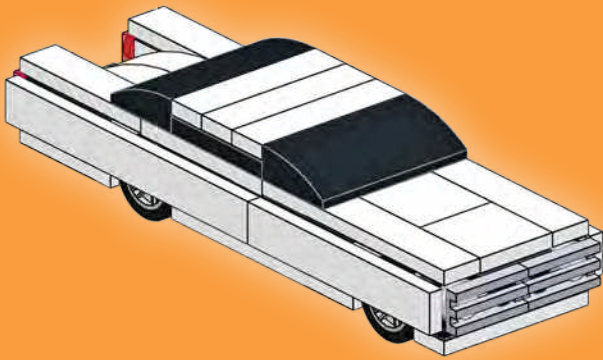
4



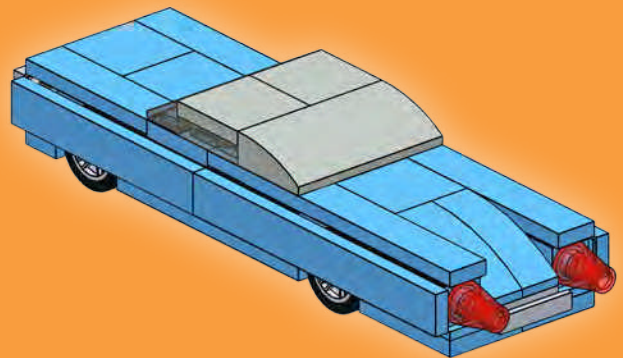
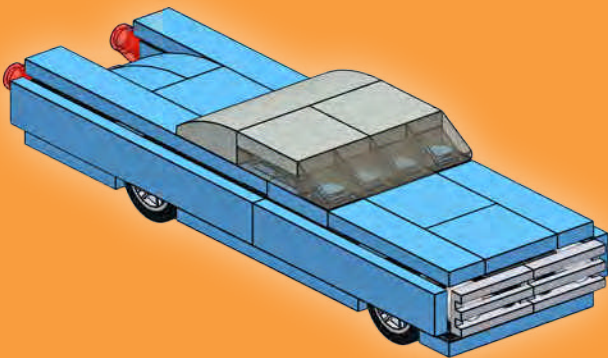
5



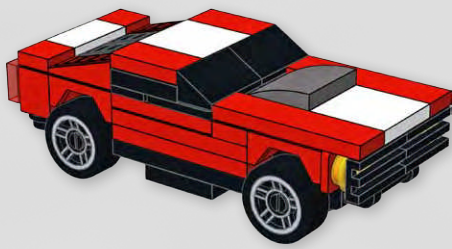
VARIATIONS



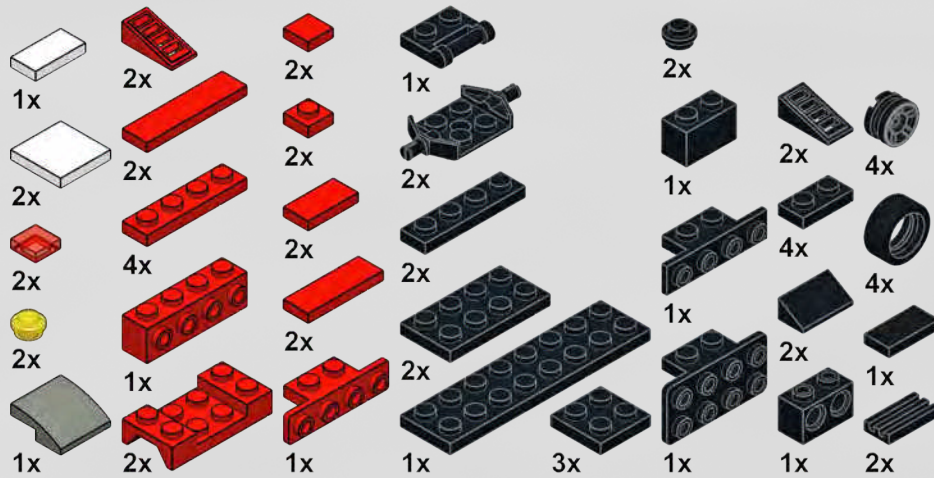
Tuxedo White



Bluebelle



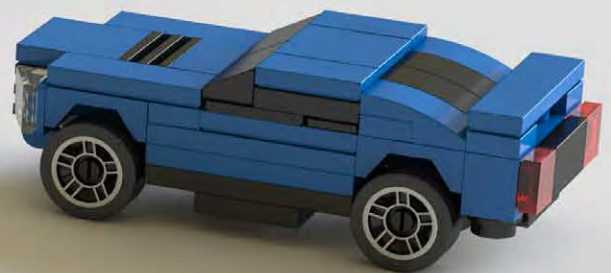
BILL OF MATERIALS



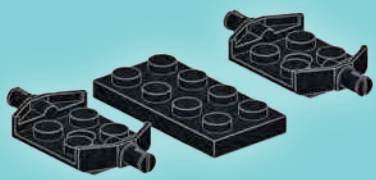
DIFFICULTY LEVEL: MEDIUM

MUSCLE CAR

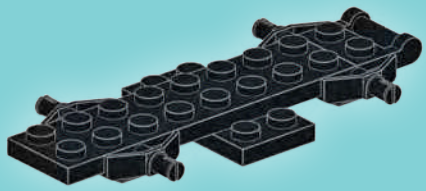
Mattia Zamboni



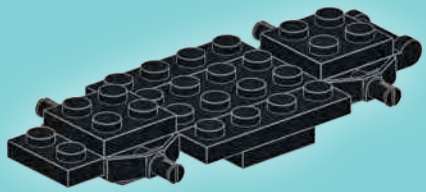
1



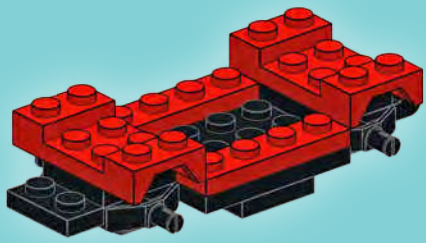
2



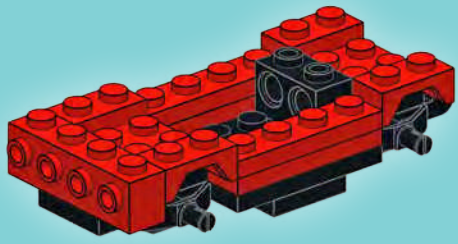
3



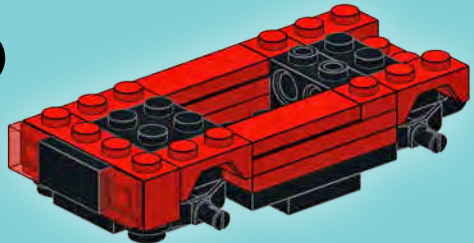
4



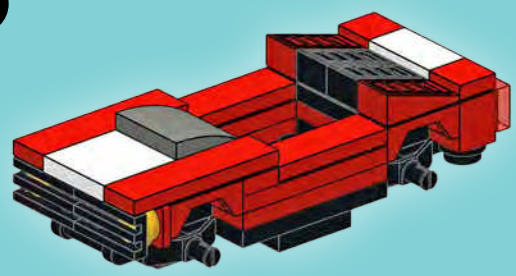
5



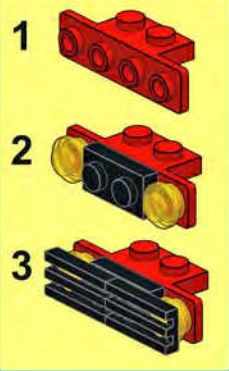
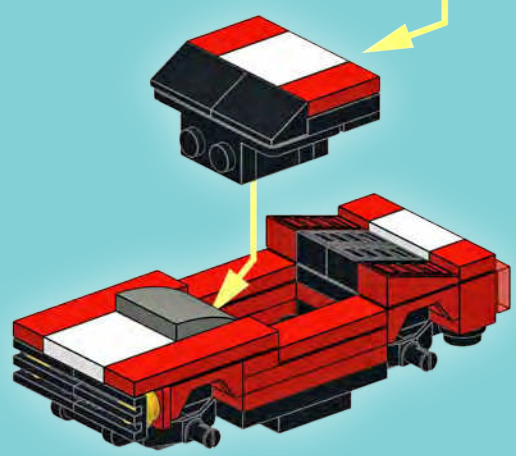
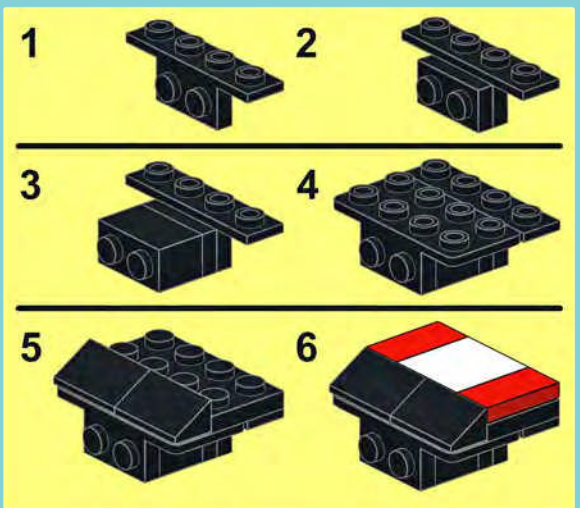
6



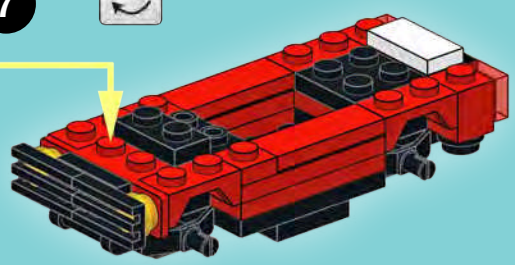
8



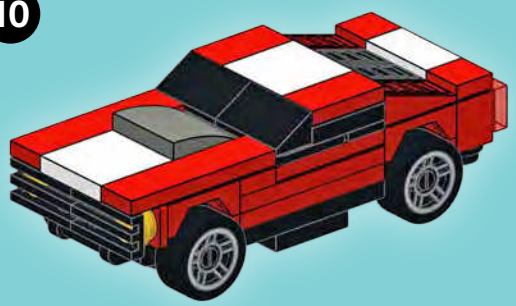
9



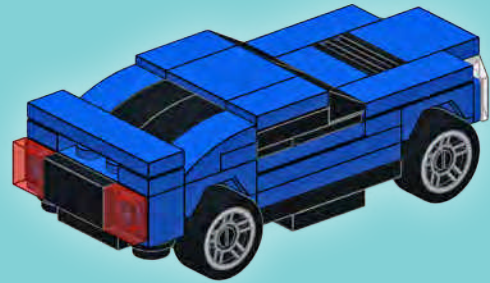
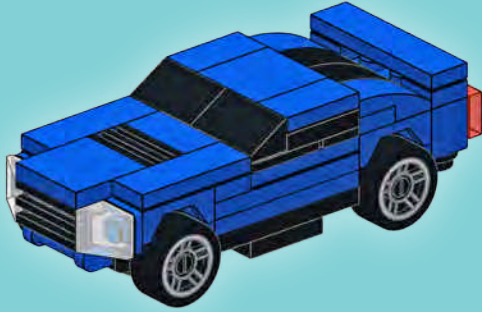
7



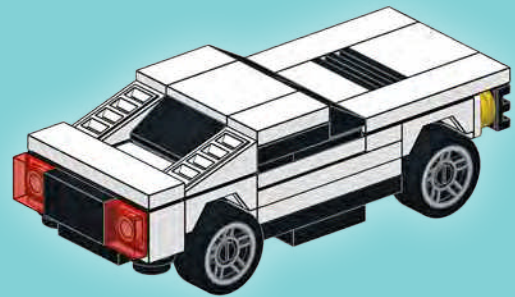
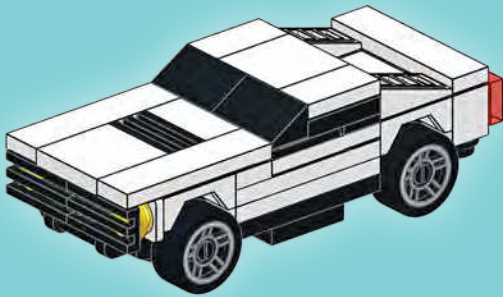
10



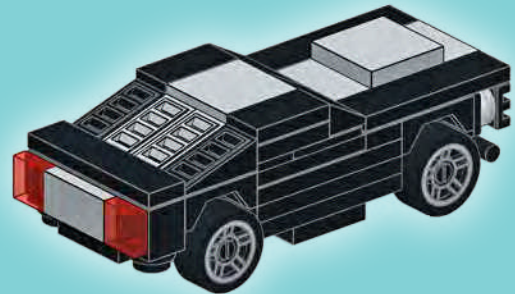
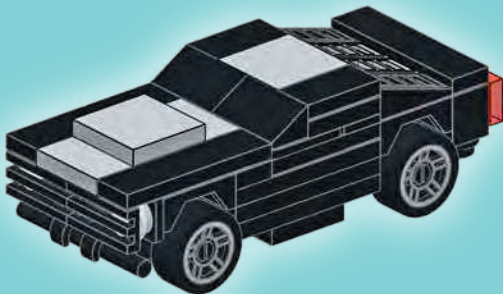
VARIATIONS



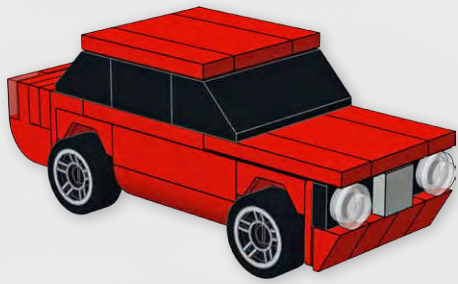
Blue Rounded



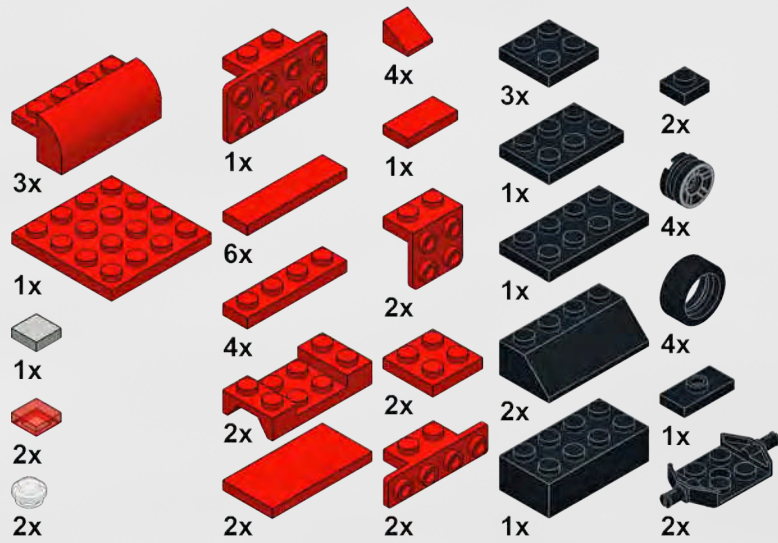
White Classic



Mighty Black



BILL OF MATERIALS



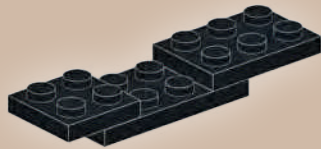
DIFFICULTY LEVEL: EASY

FAMILY CAR

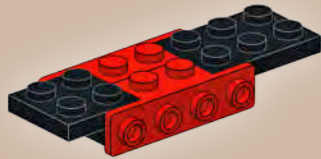
Liam Bates



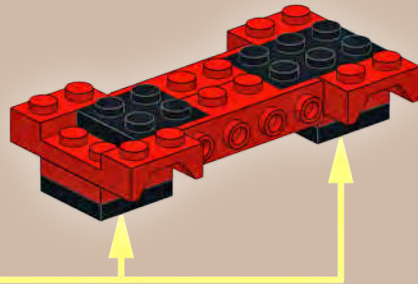
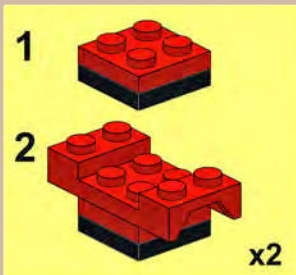
1



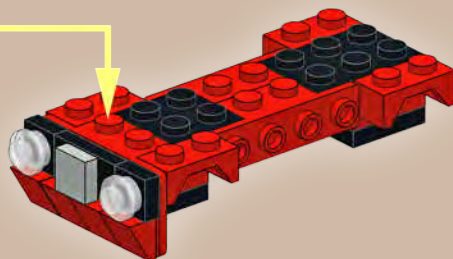
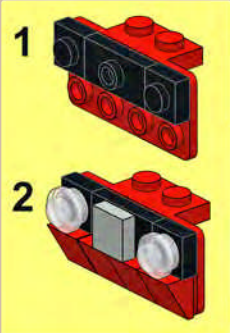
2



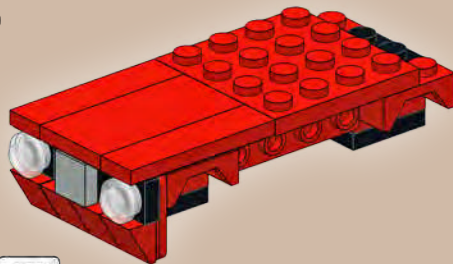
3



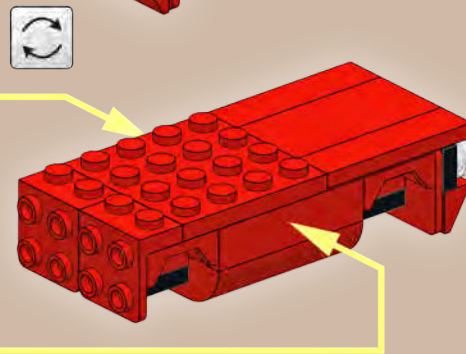
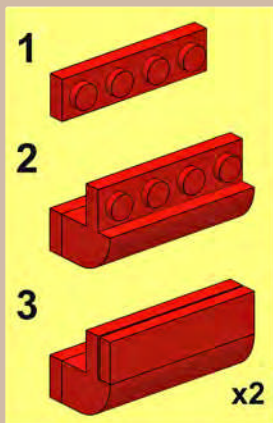
4



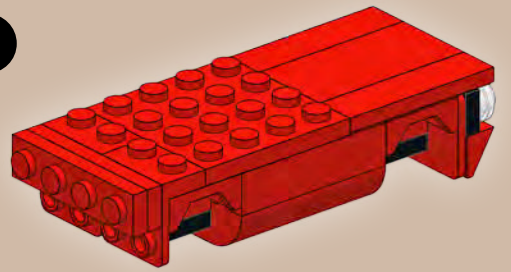
5



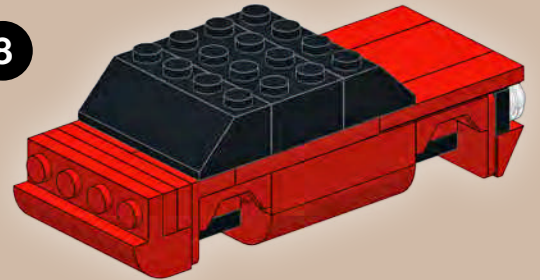
6



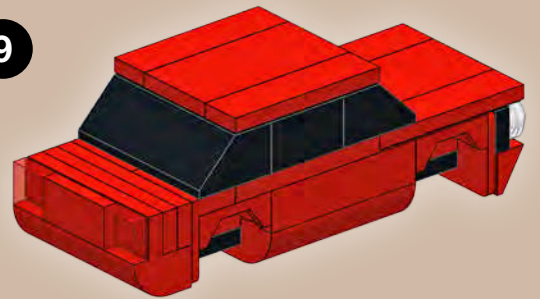
7



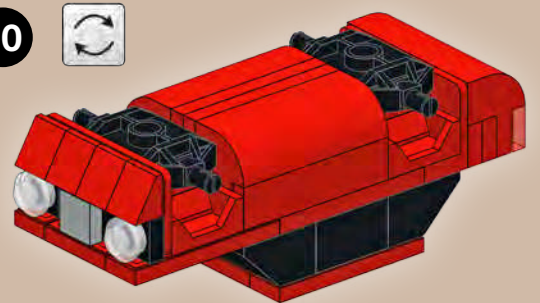
8



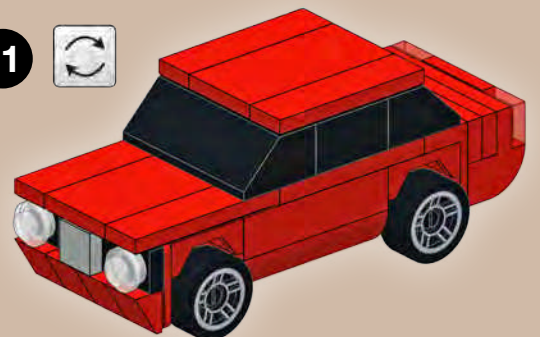
9



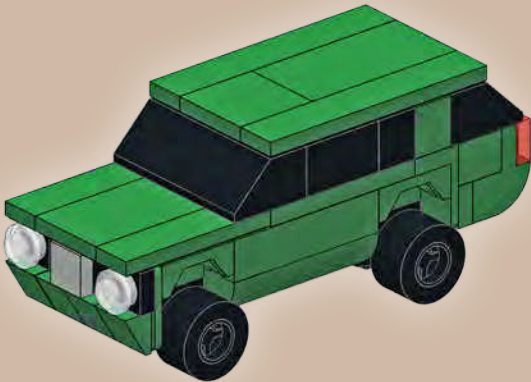
10



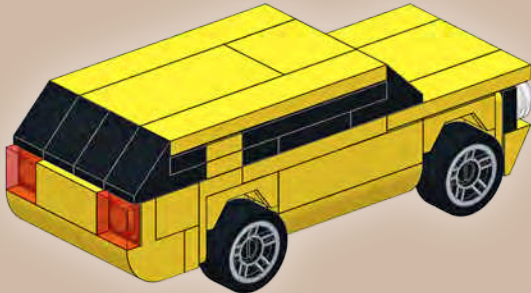
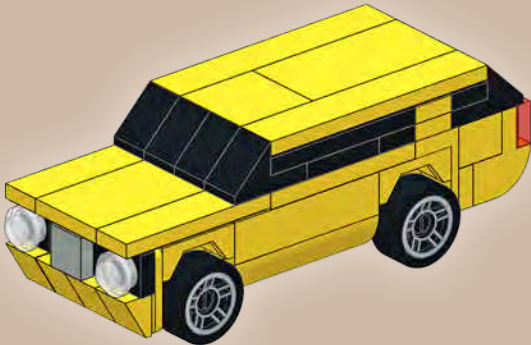
11



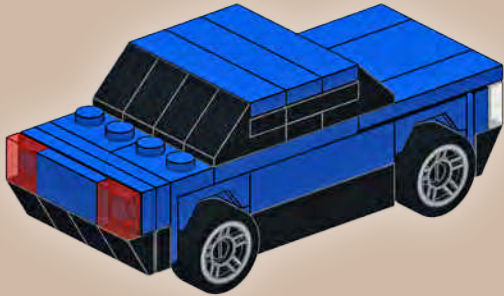
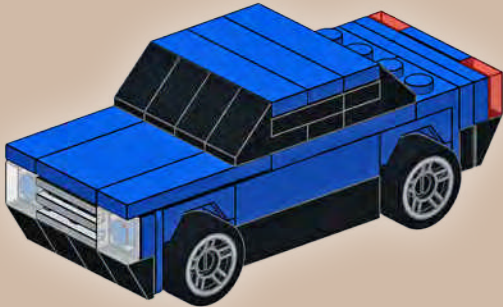
VARIATIONS



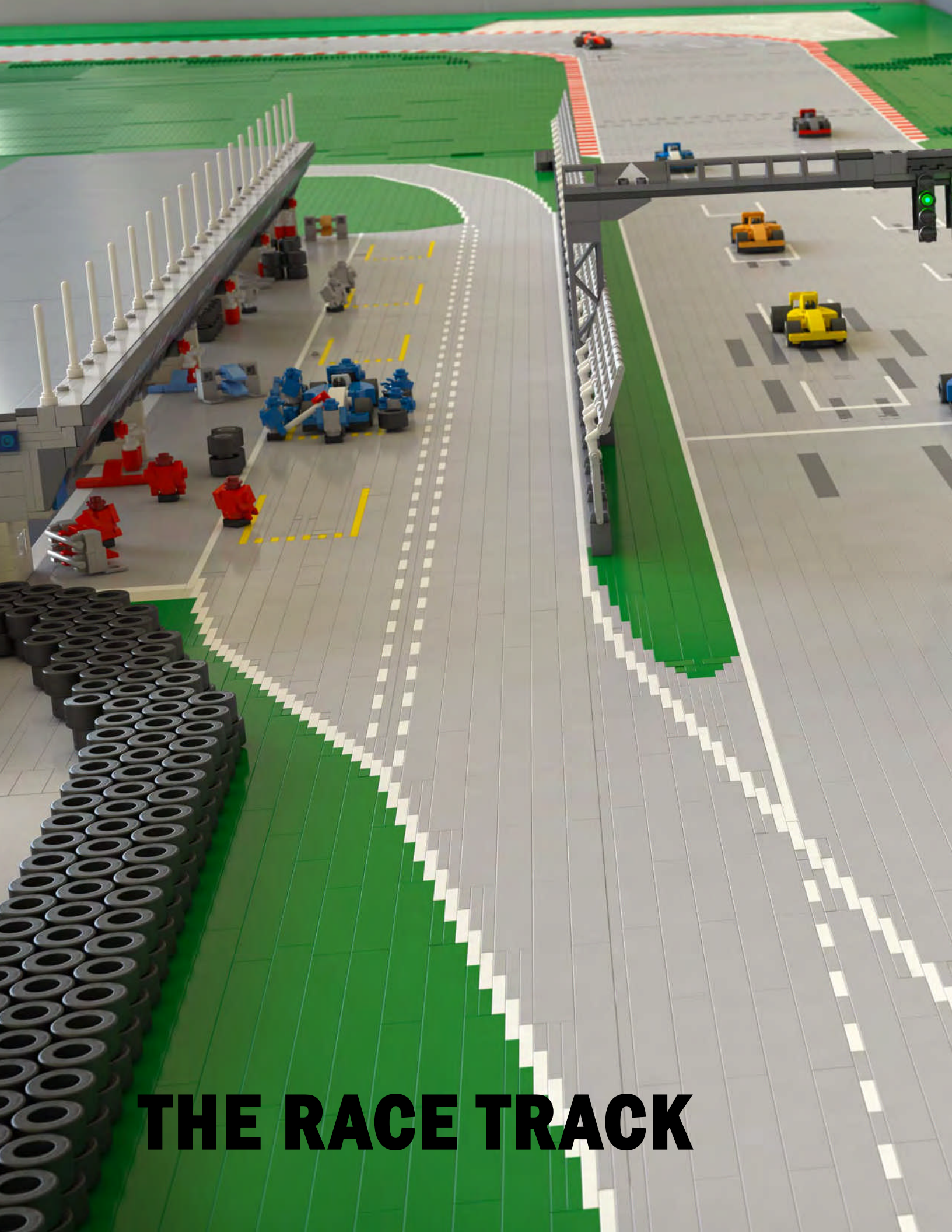
SUV



Station Wagon

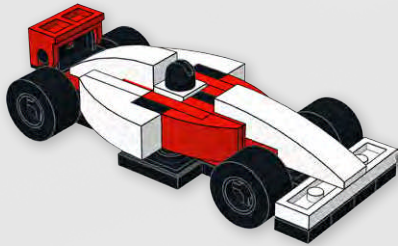


Sporty

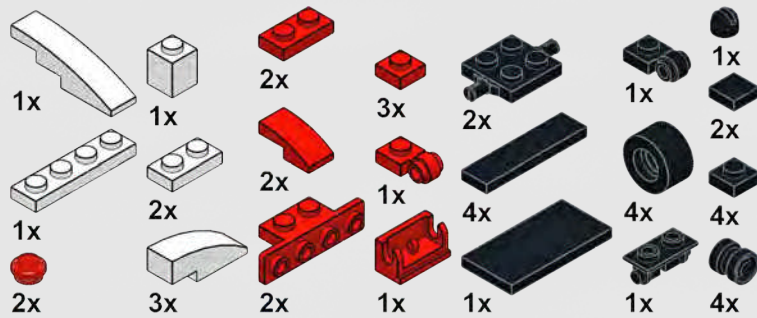


THE RACE TRACK





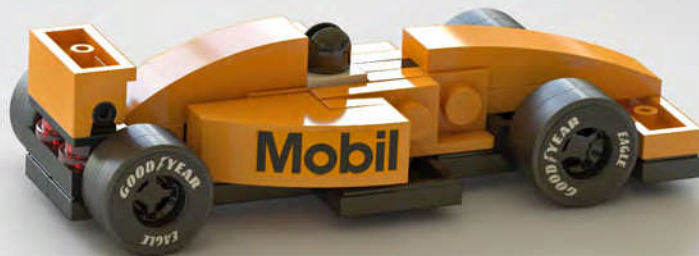
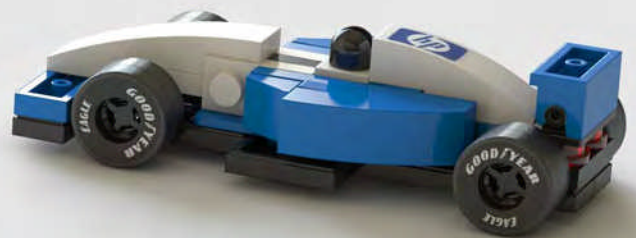
BILL OF MATERIALS



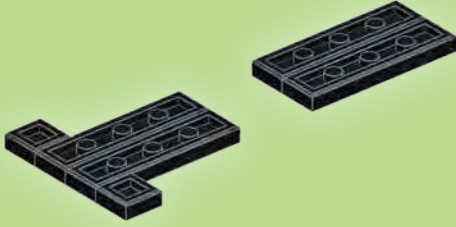
DIFFICULTY LEVEL: MEDIUM

MCLAREN F1

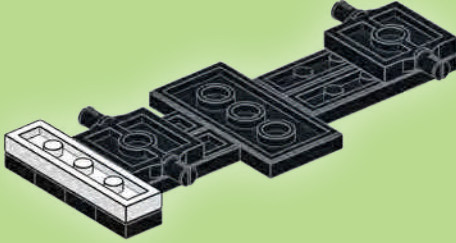
Peer Kreuger



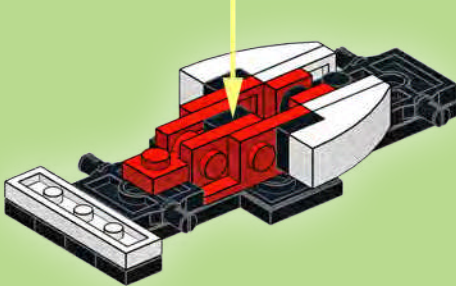
1



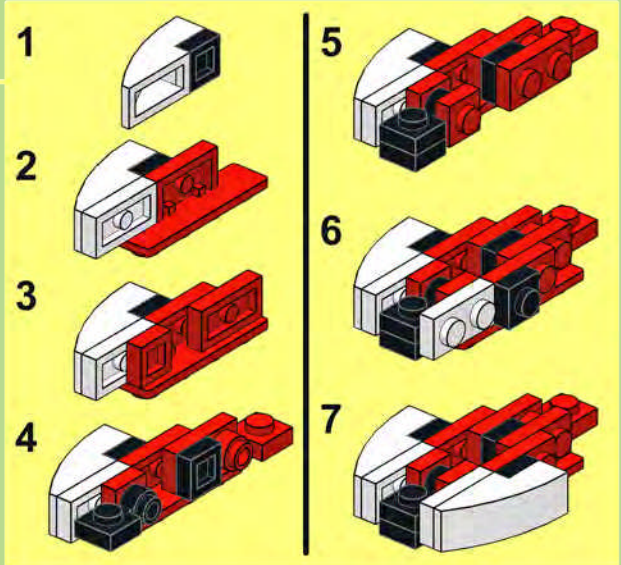
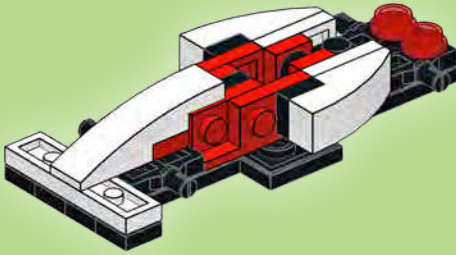
2



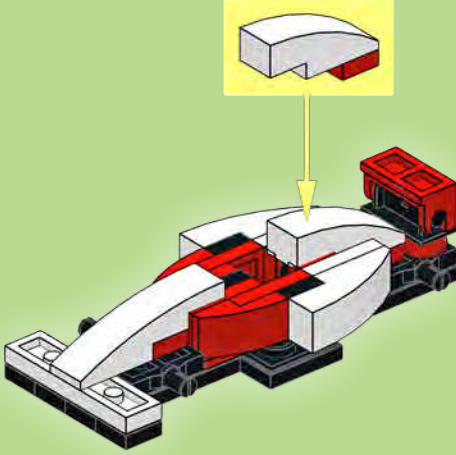
3



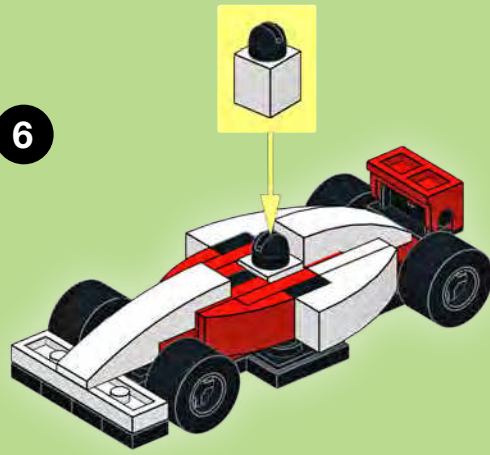
4



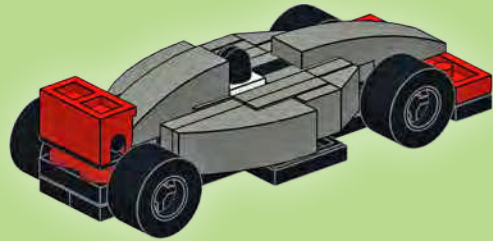
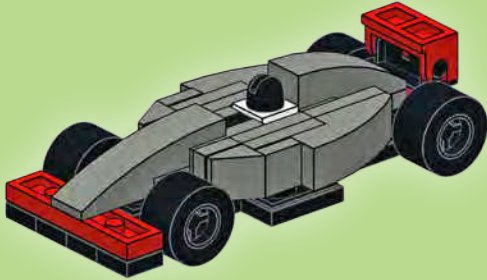
5



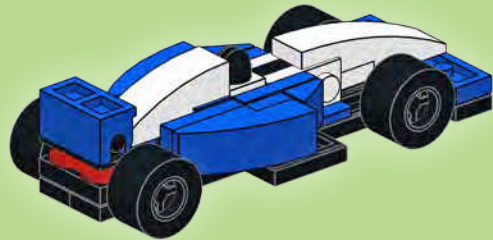
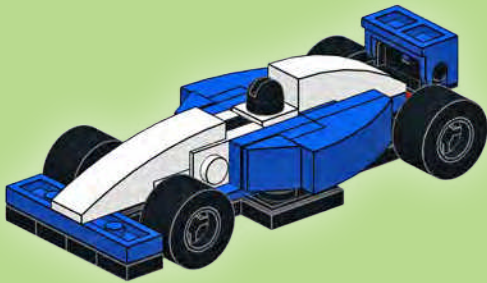
6



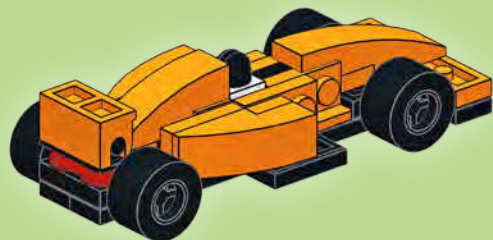
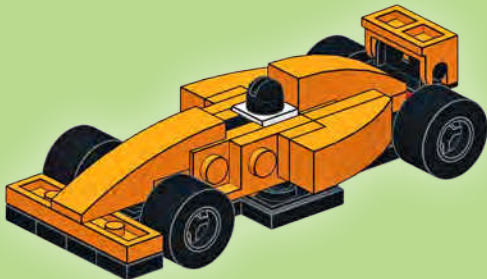
VARIATIONS



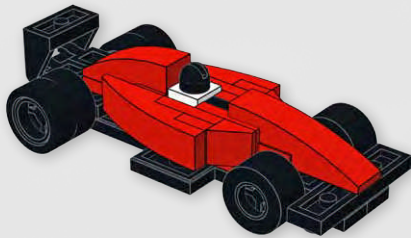
Gray Devil



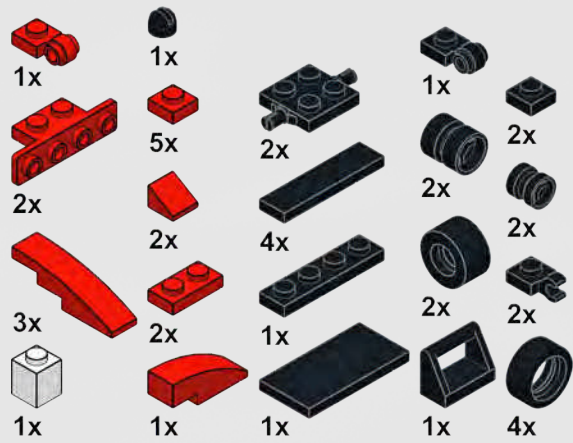
Blue Dream



Orange Fury



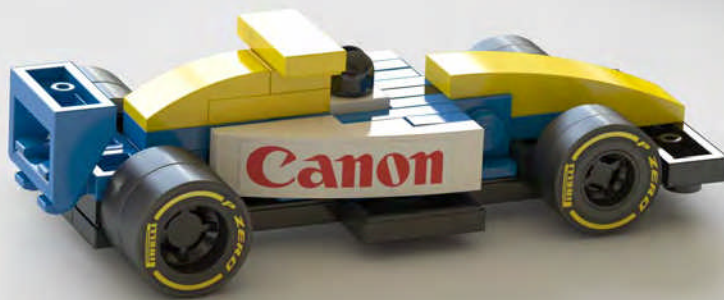
BILL OF MATERIALS



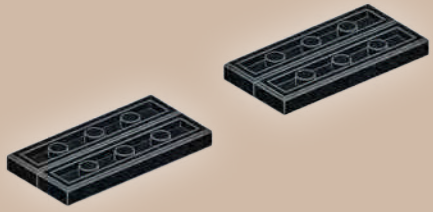
DIFFICULTY LEVEL: MEDIUM

FERRARI F1

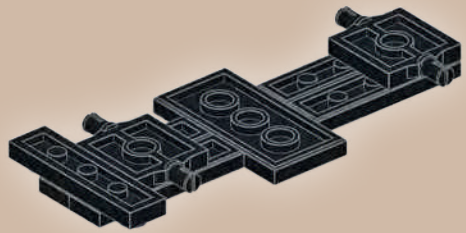
George Panteleon



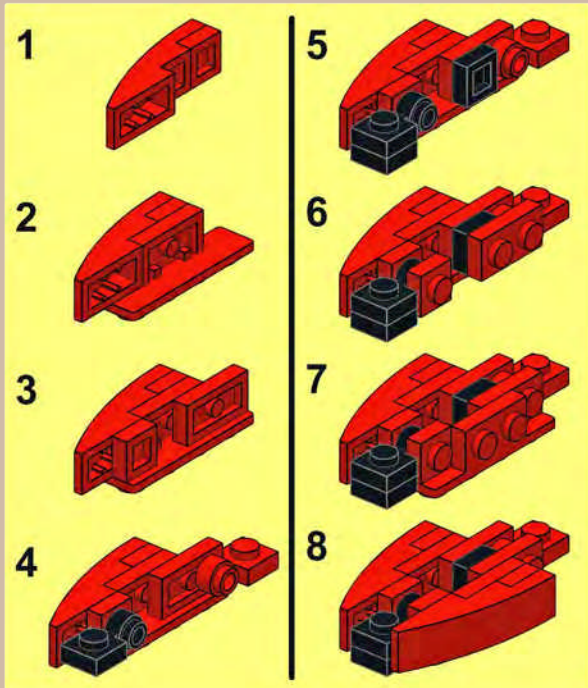
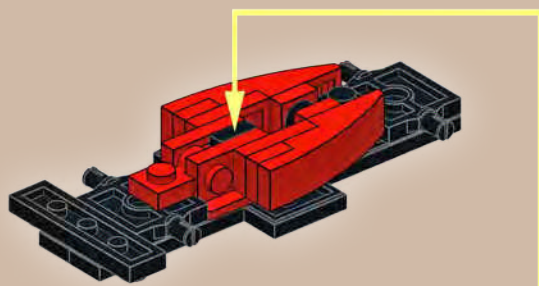
1



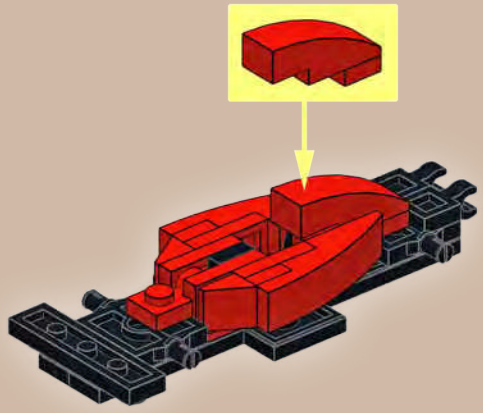
2



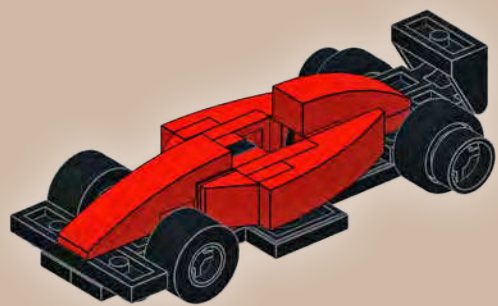
3



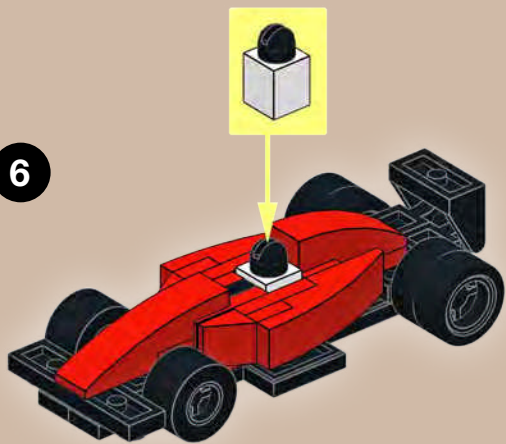
4



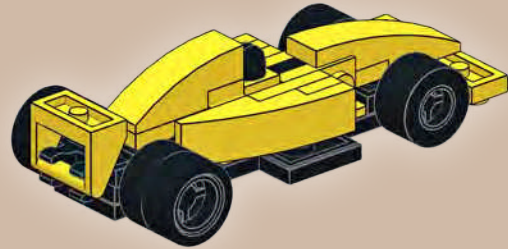
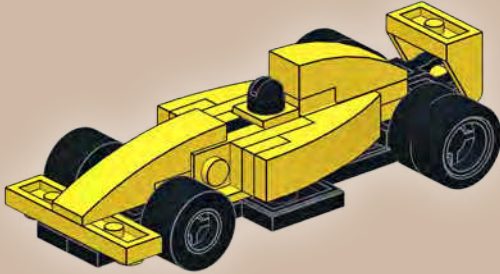
5



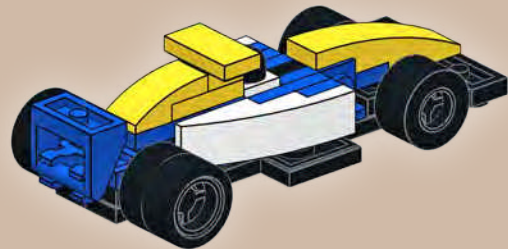
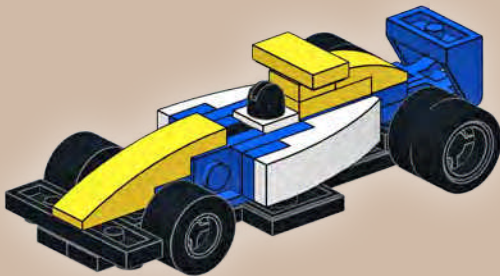
6



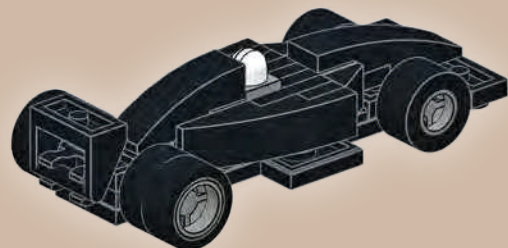
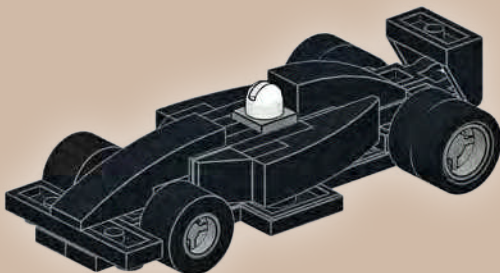
VARIATIONS



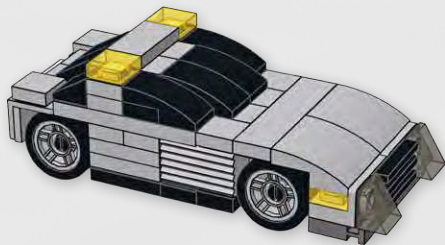
Yellow Lightning



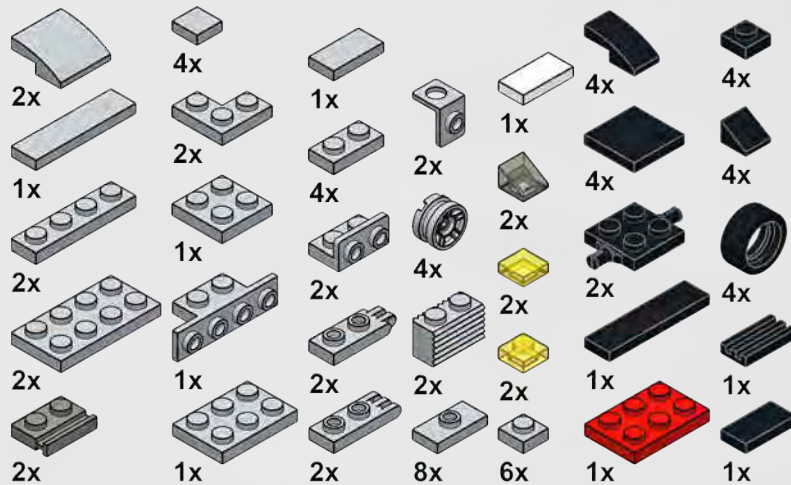
Blue Flash



Black Night



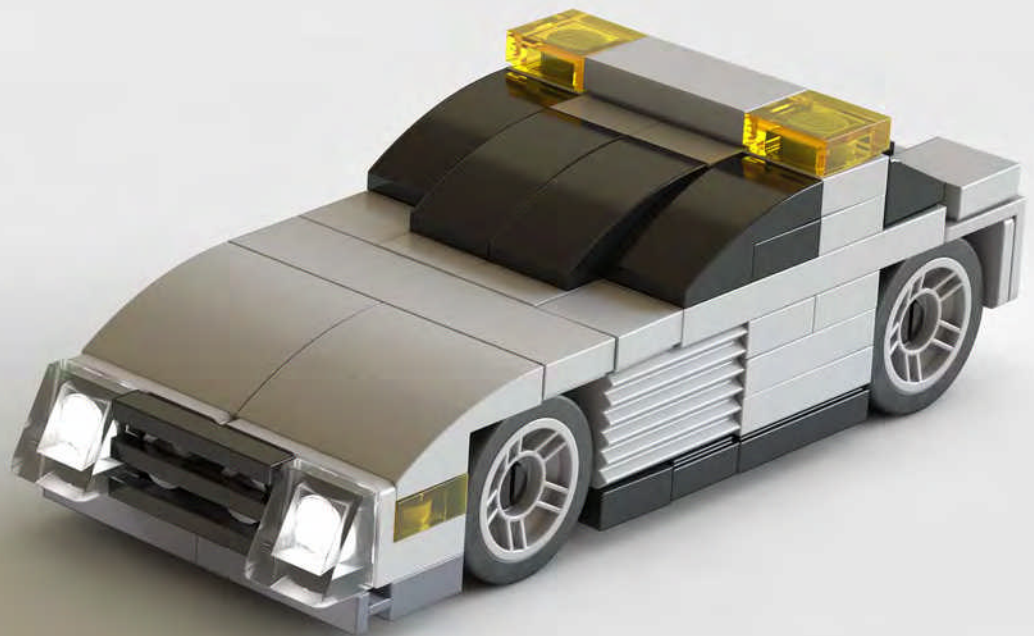
BILL OF MATERIALS



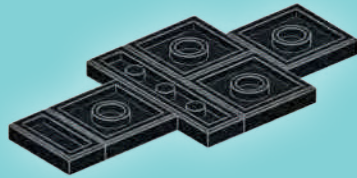
DIFFICULTY LEVEL: MEDIUM

SAFETY CAR

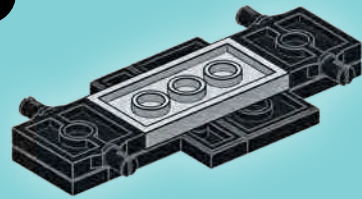
Alexander Bugiel



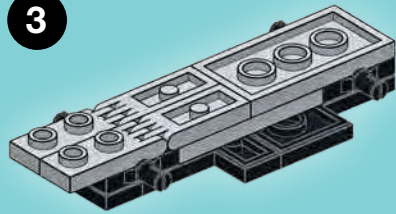
1



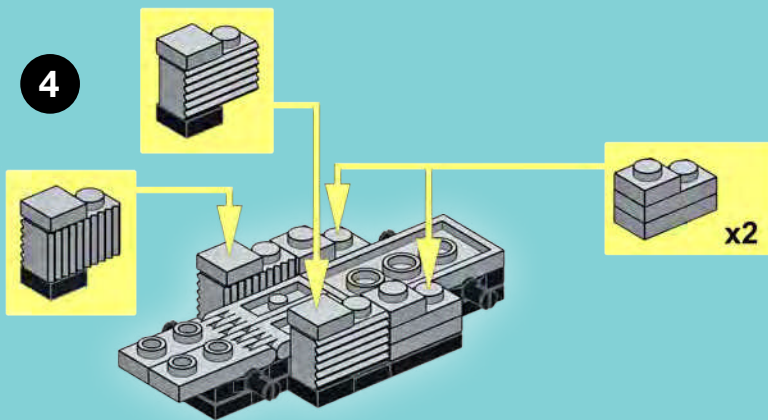
2



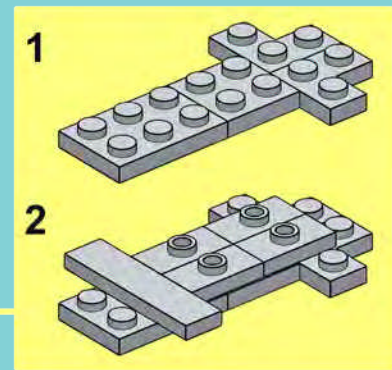
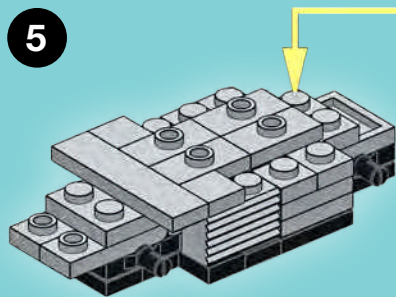
3



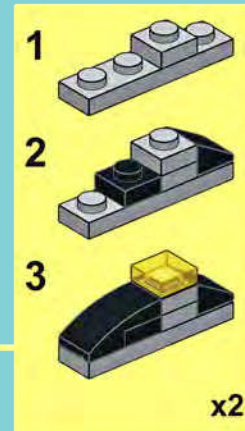
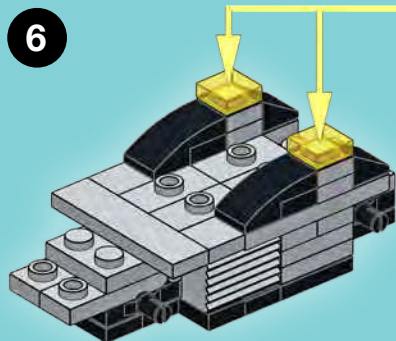
4



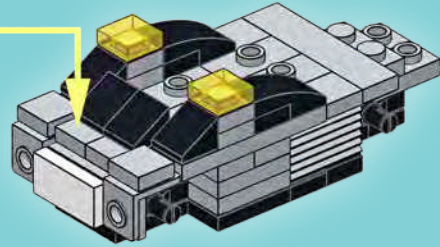
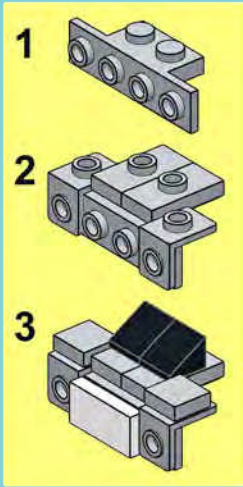
5



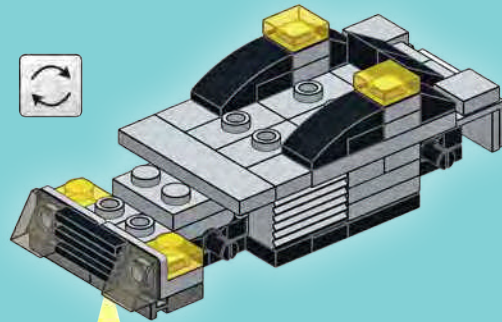
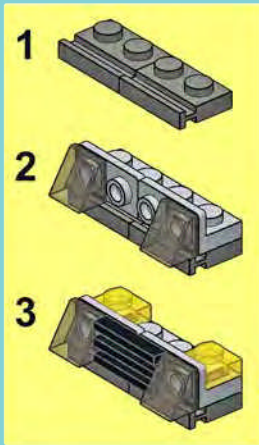
6



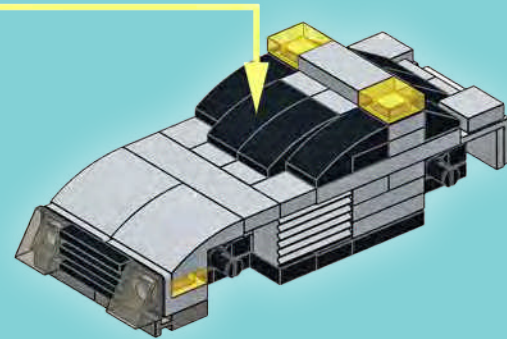
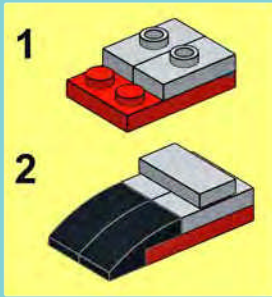
7



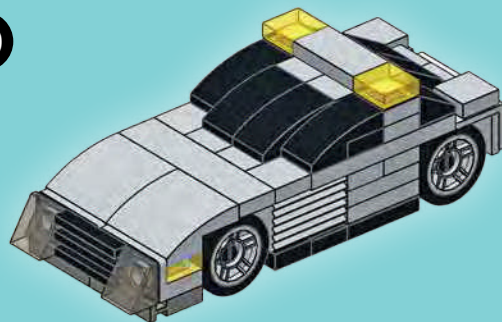
8



9



10





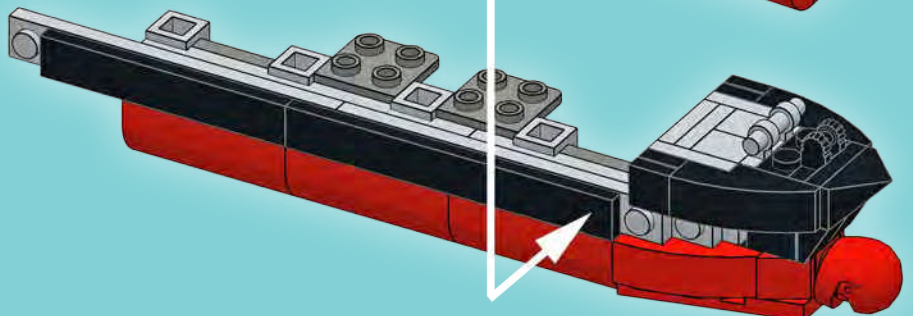
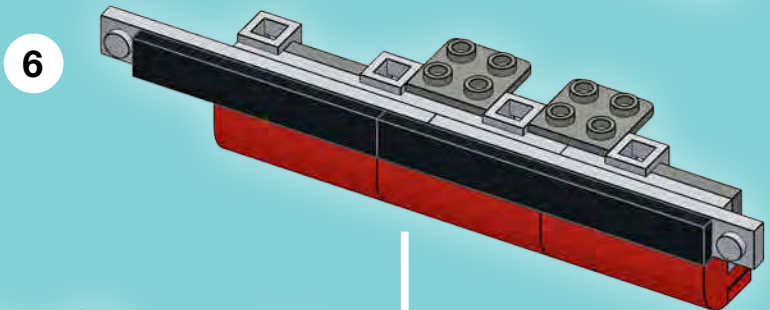
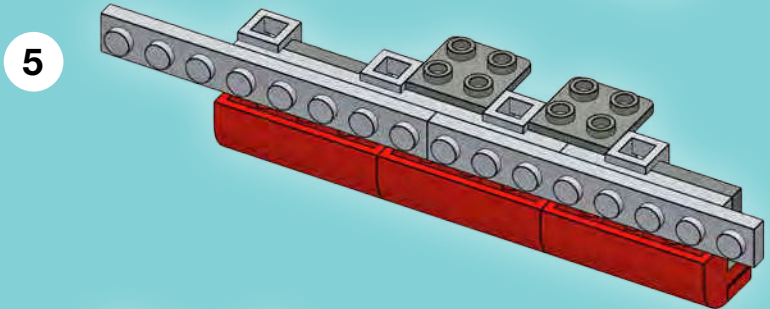
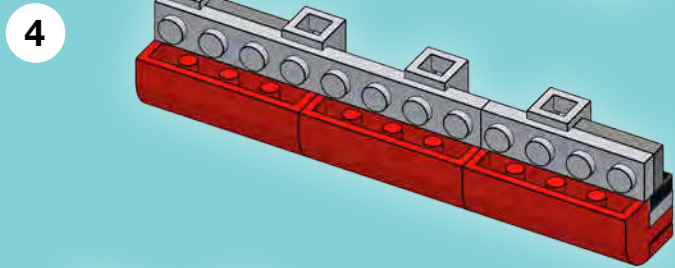
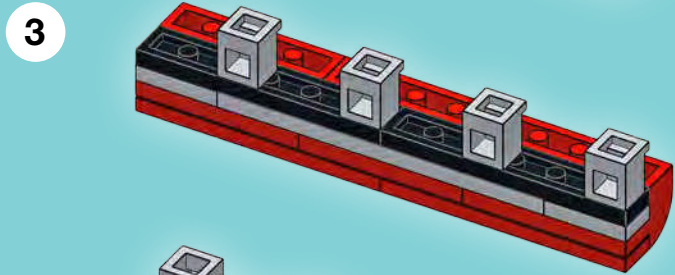
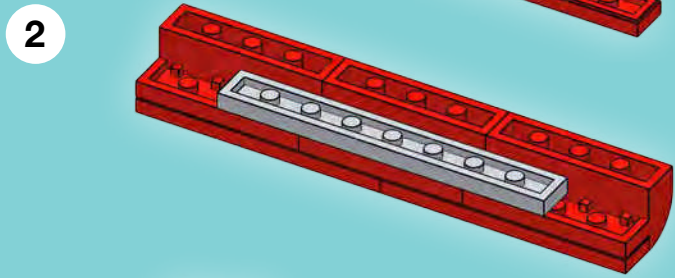
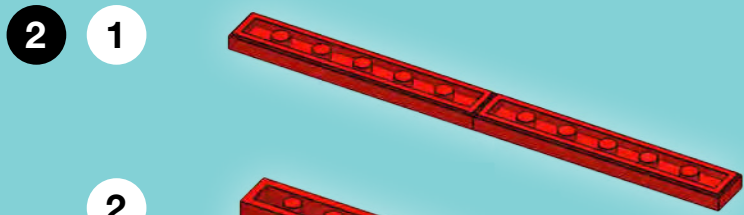
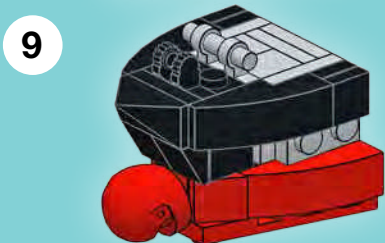
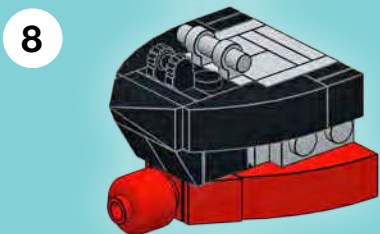
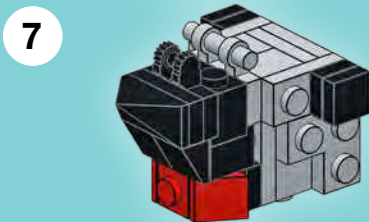
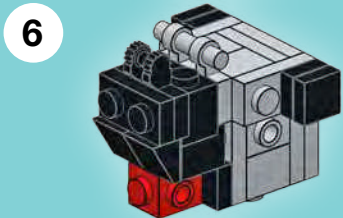
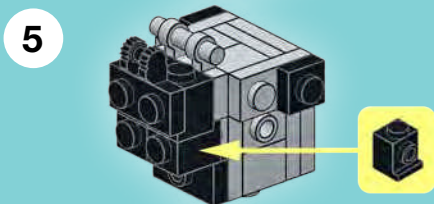
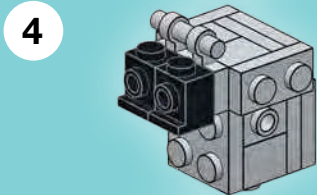
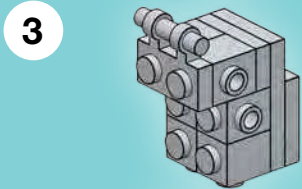
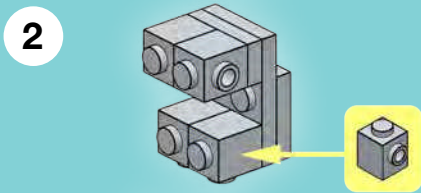
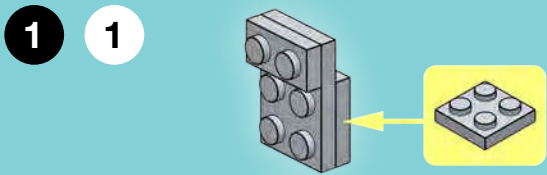


THE HARBOR

BULK CARRIER

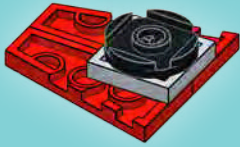
George Panteleon



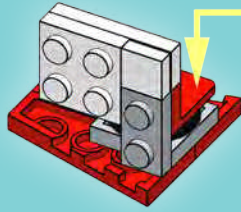


3

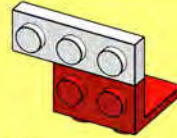
1



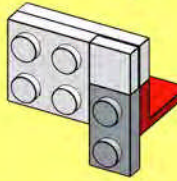
2



1



2

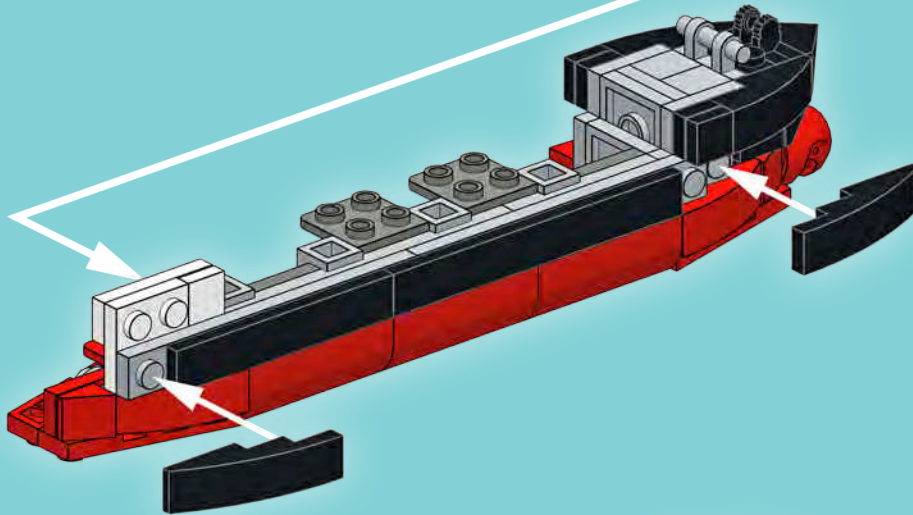
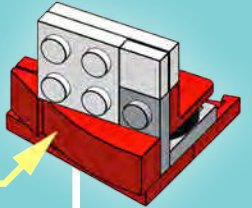


3

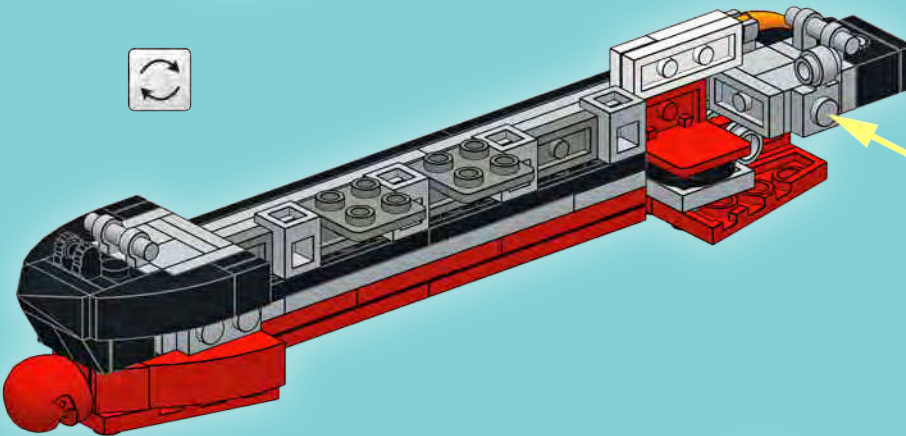
1



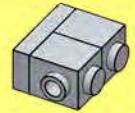
2



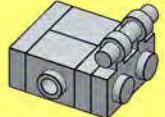
4



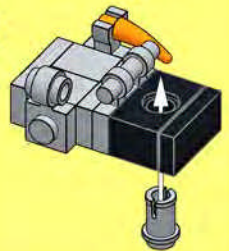
1



2



3

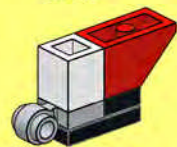


5

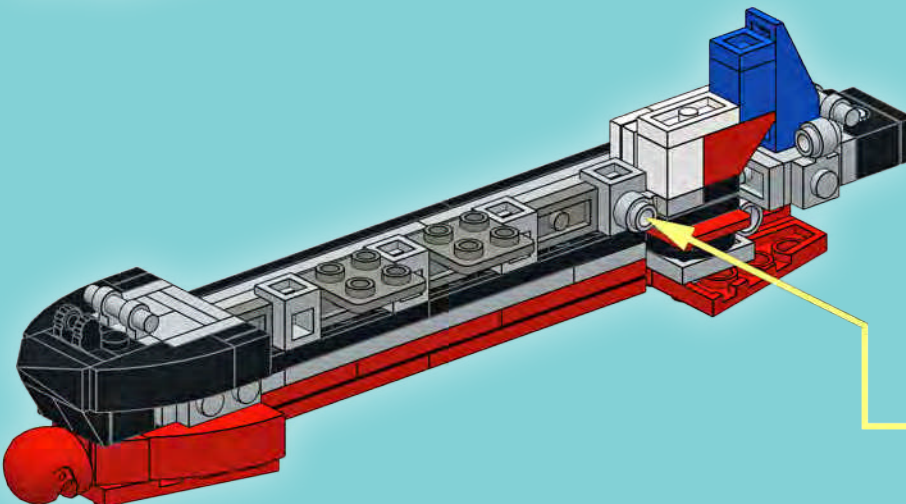
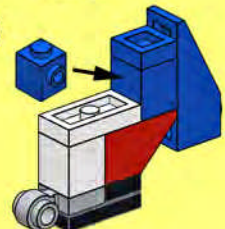
1



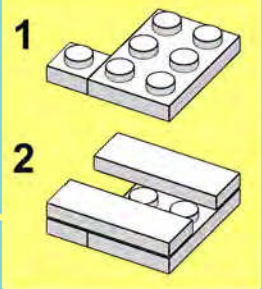
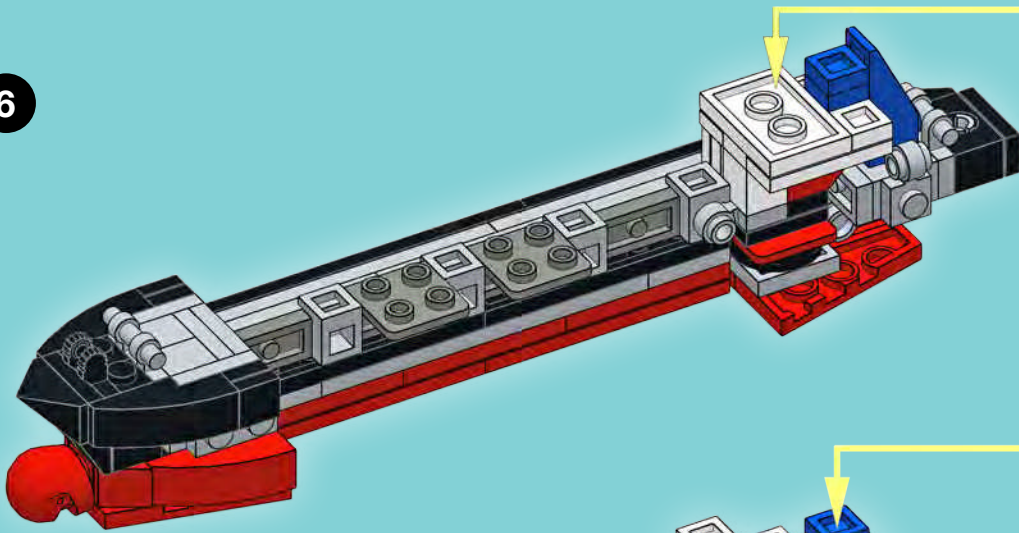
2



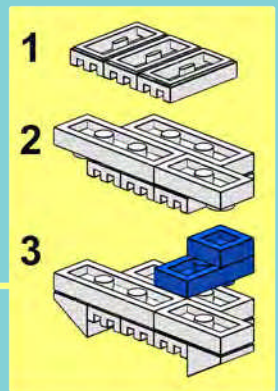
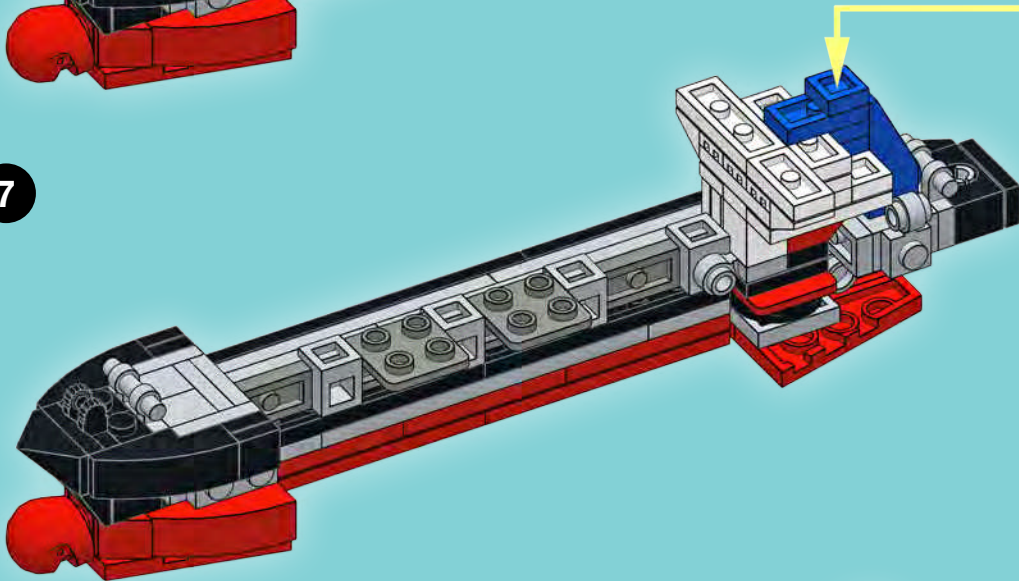
3



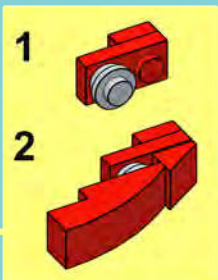
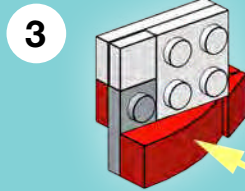
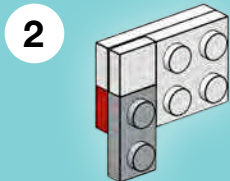
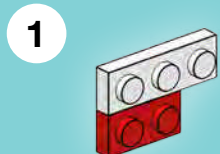
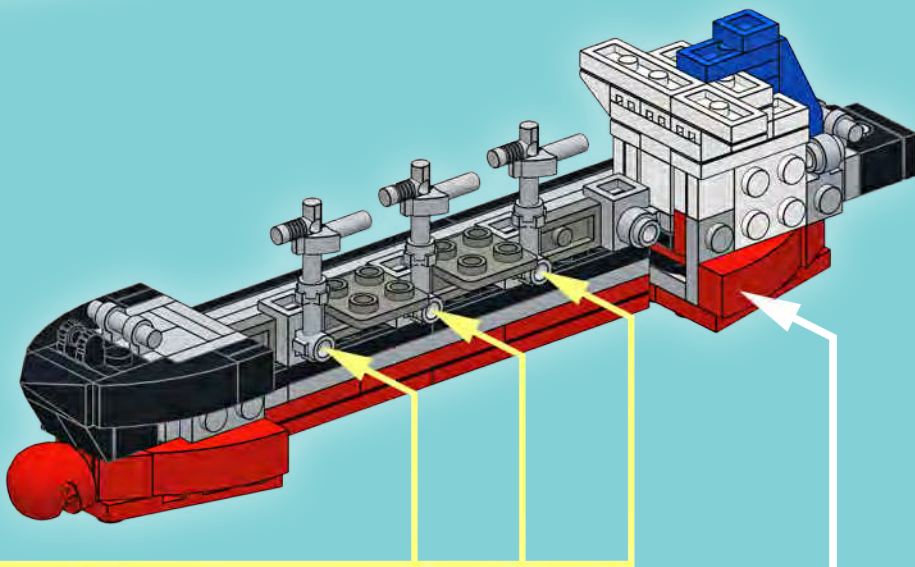
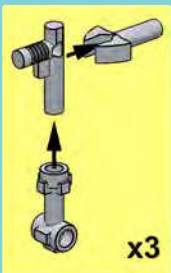
6



7

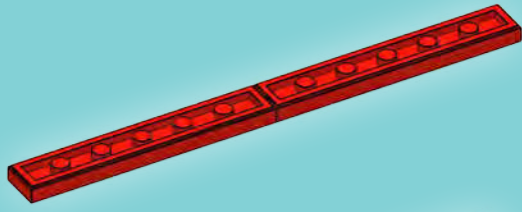


8

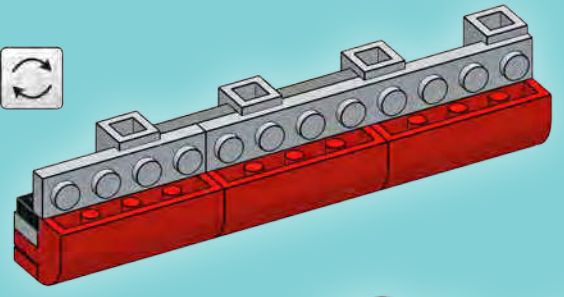


9

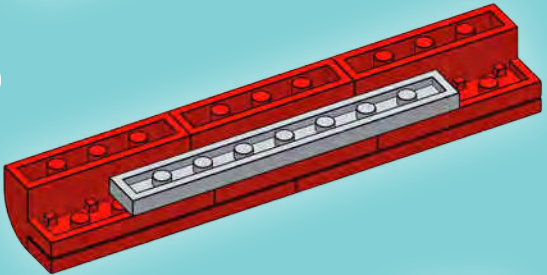
1



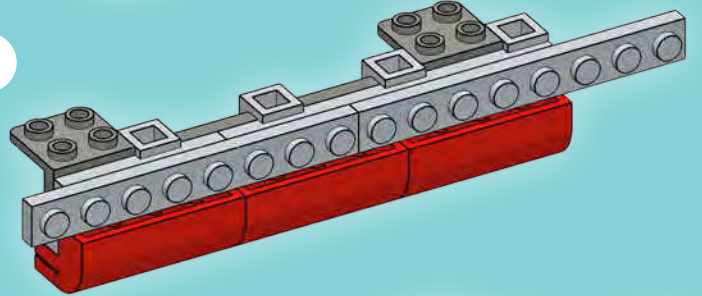
4



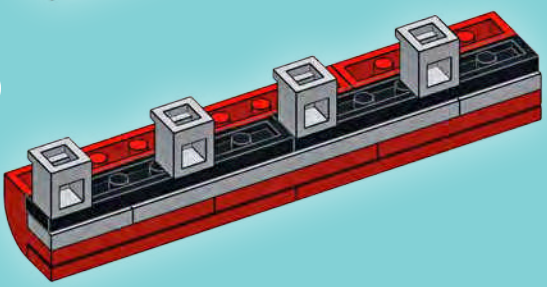
2



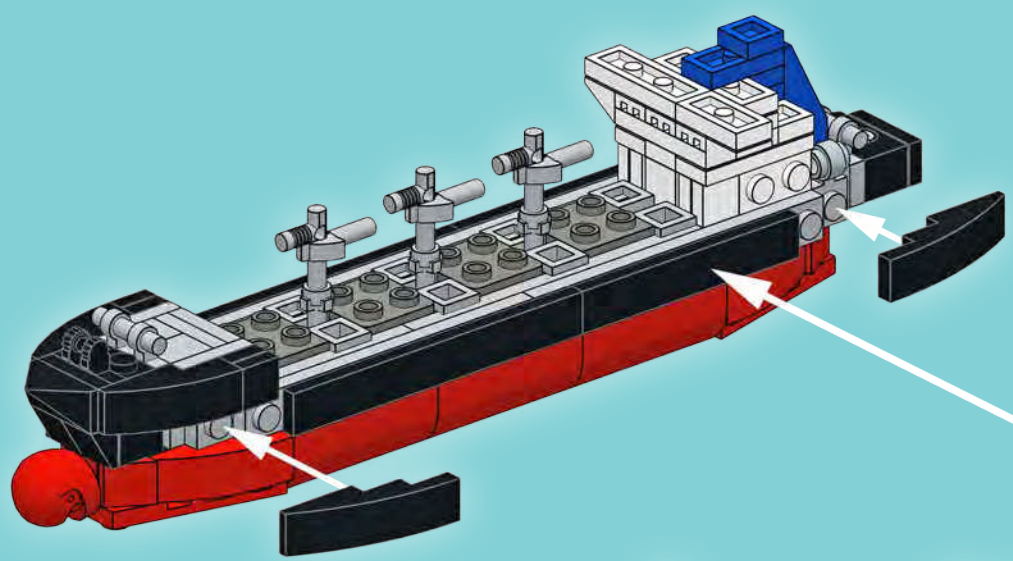
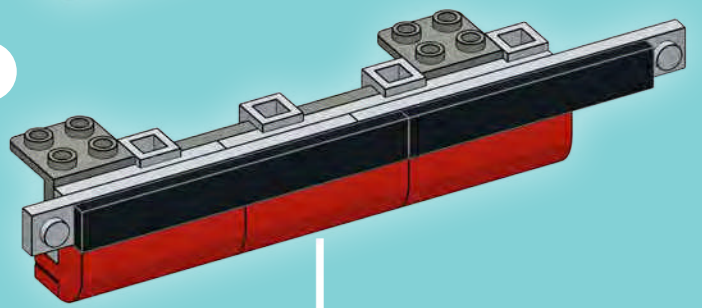
5



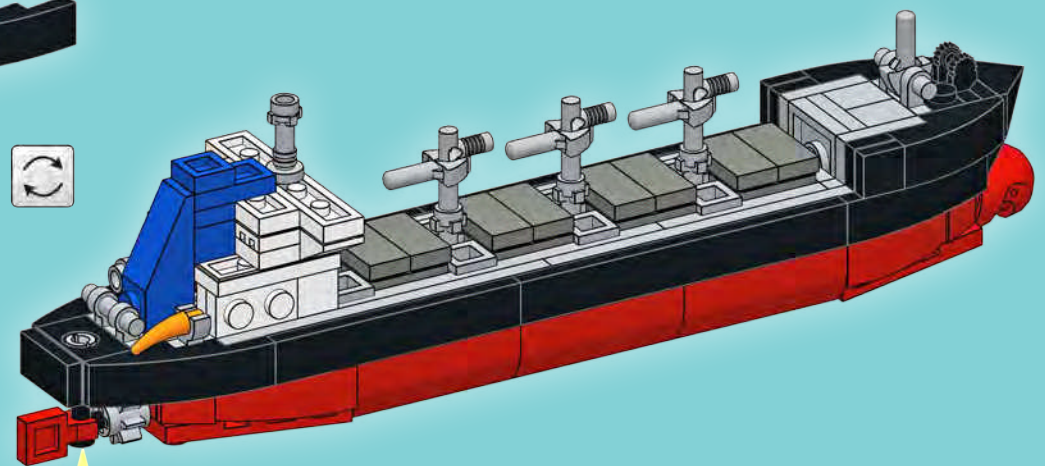
3



6








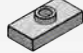

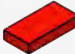





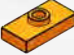

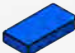






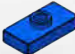





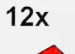
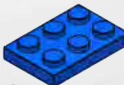












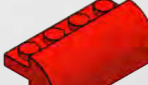













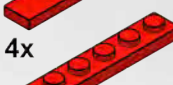



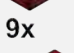






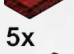
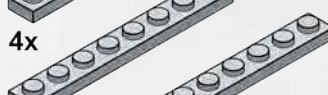
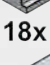








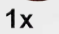
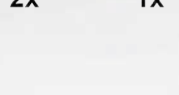



10





BILL OF MATERIALS

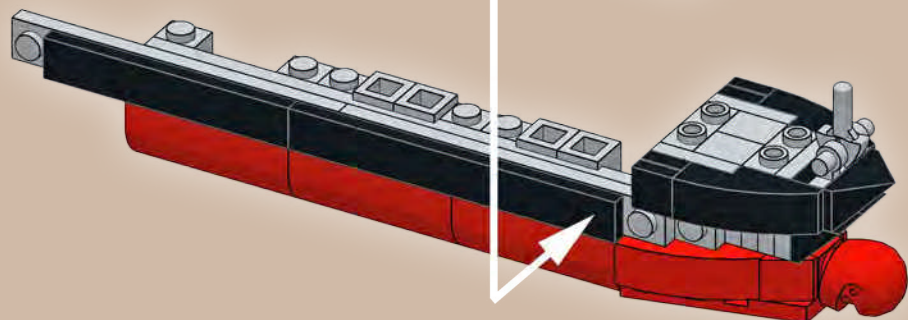
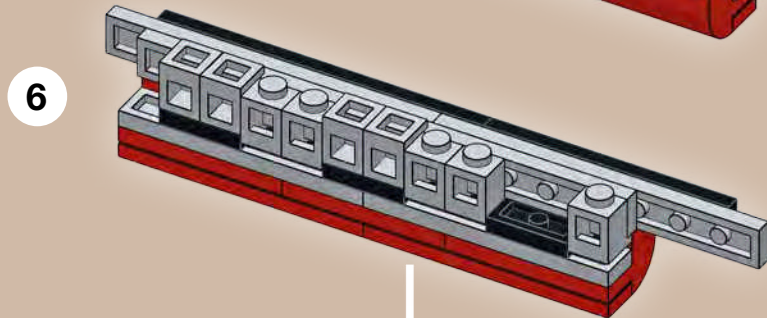
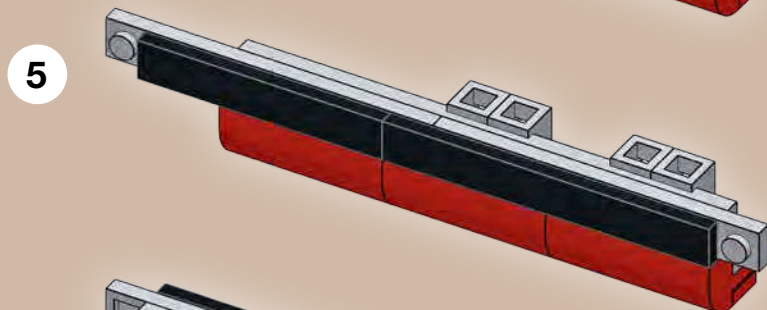
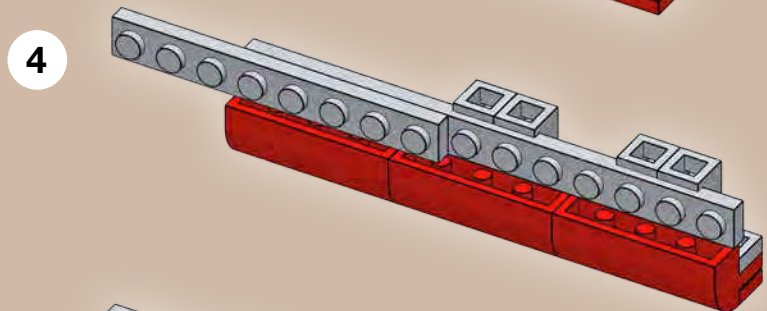
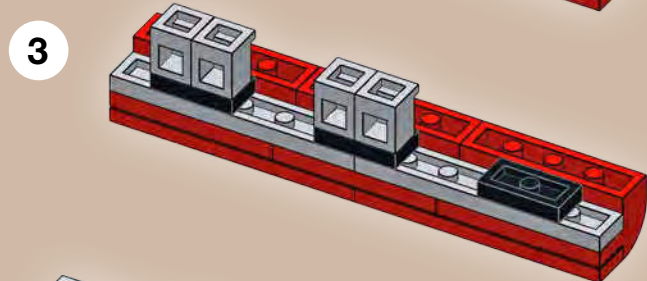
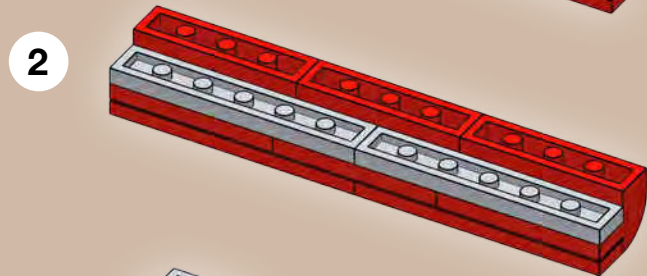
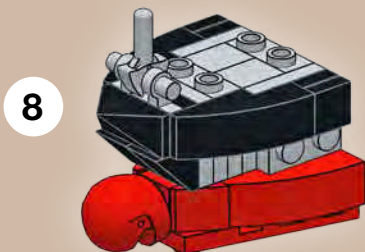
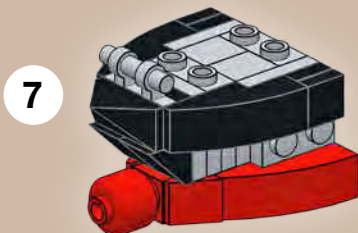
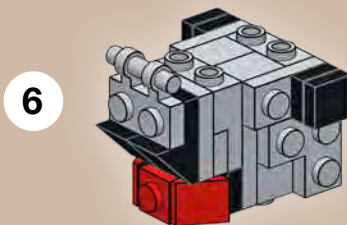
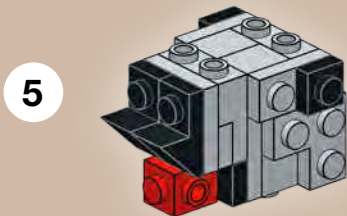
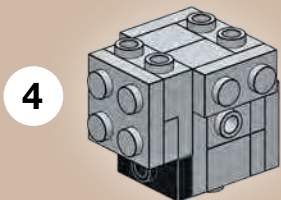
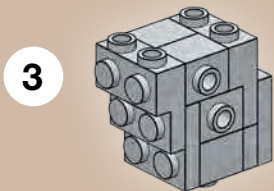
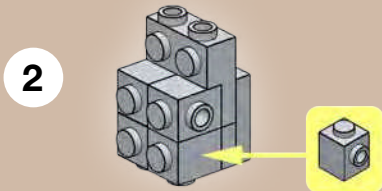
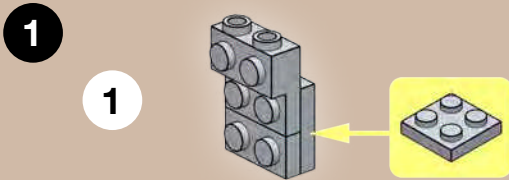
	3x		6x		5x		1x		4x		8x		
	5x		7x		4x		3x		7x		1x		1x
	1x		11x		17x		4x		6x		1x		2x
	5x		1x		2x		12x		17x		1x		5x
	2x		2x		1x		2x		1x		1x		1x
	2x		3x		1x		2x		1x		1x		2x
	6x		2x		1x		2x		11x		1x		2x
	6x		2x		5x		6x		4x		1x		2x
	11x		2x		8x		4x		1x		2x		1x
	9x		4x		18x		2x		4x		2x		2x
	5x		4x		9x		2x		1x		2x		1x
	19x		2x		2x		2x		1x		2x		1x

DIFFICULTY LEVEL: HARD

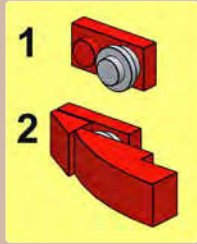
FREIGHTER

George Panteleon



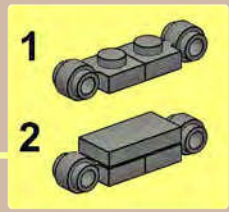
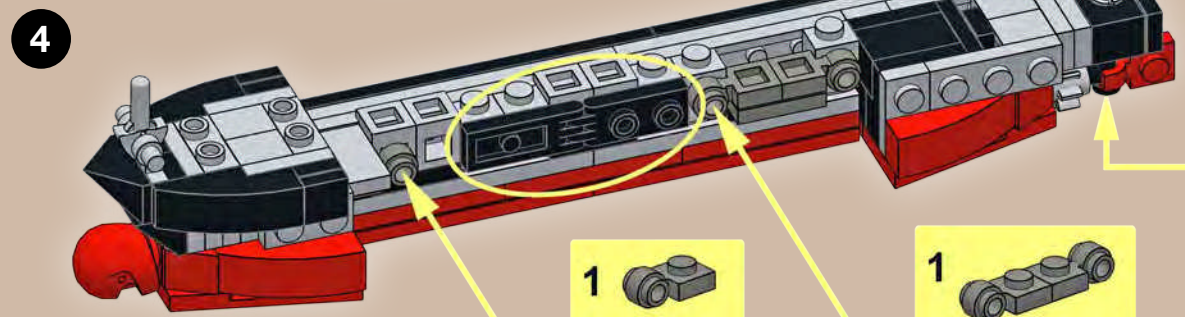
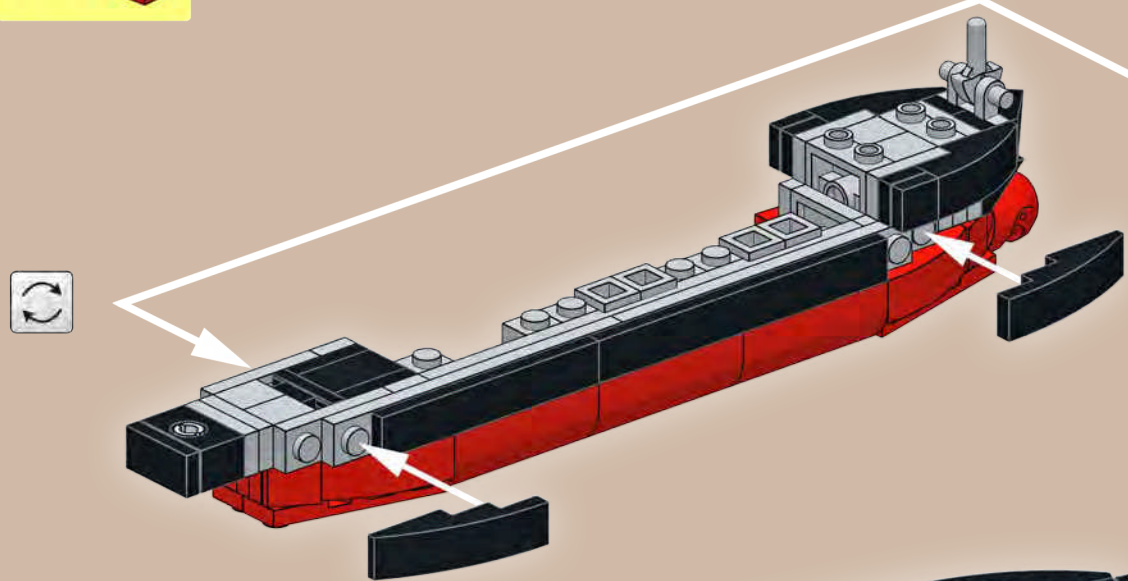


- 3
- 1
- 2
- 3
- 4
- 5

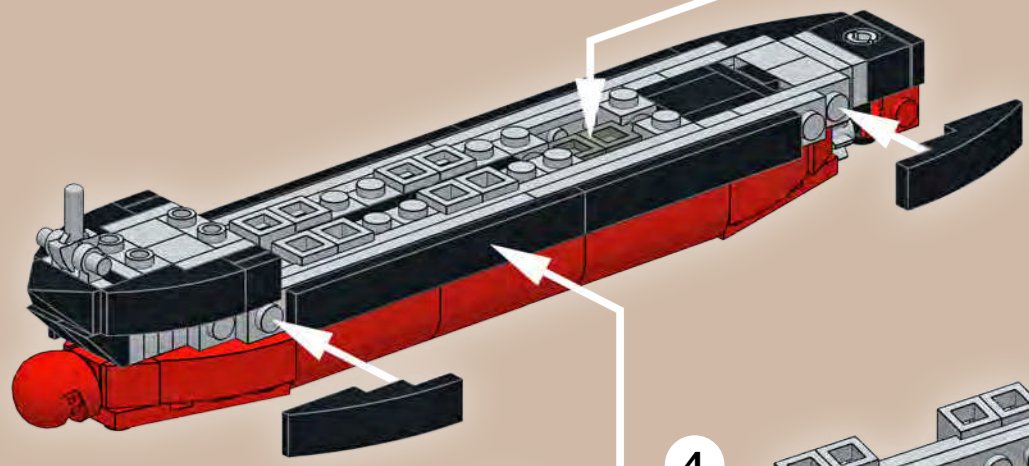
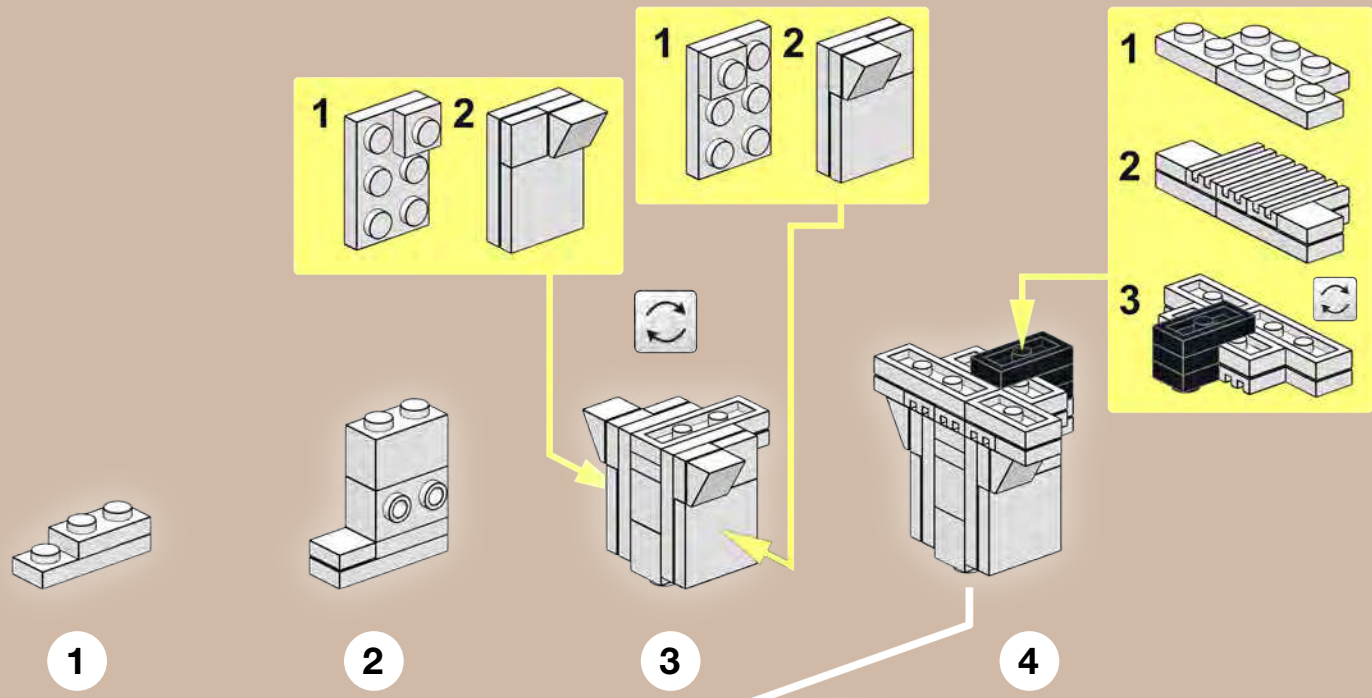


- 6
- 1
- 2
- 3

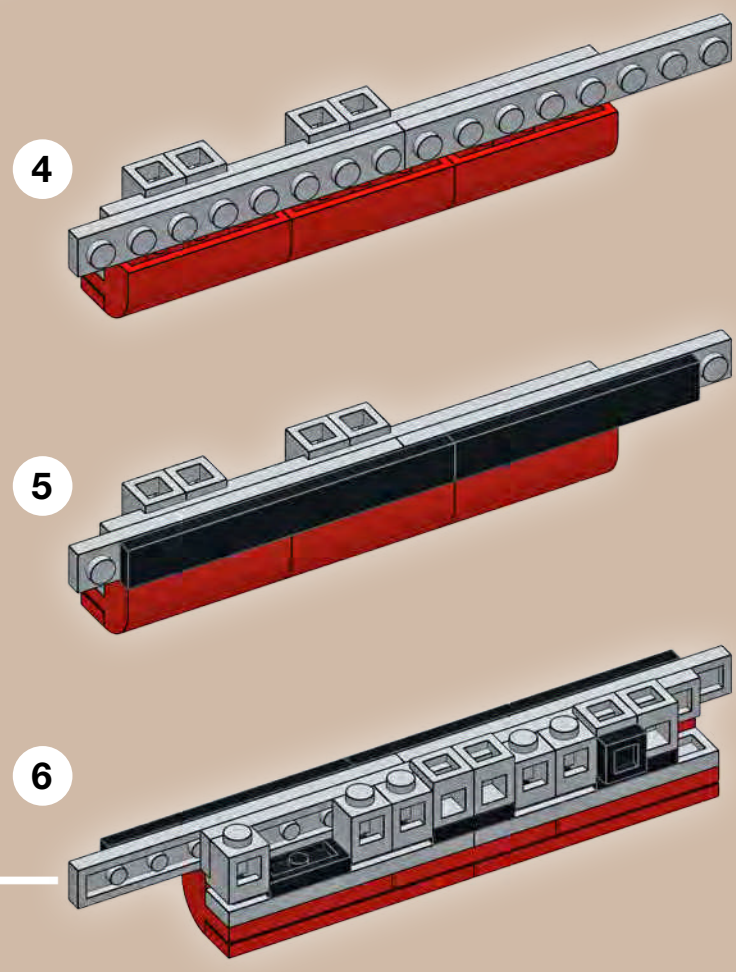
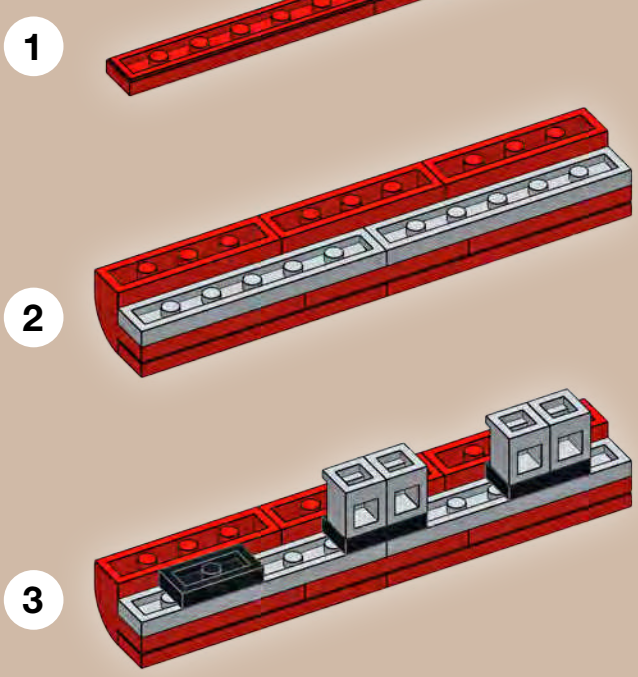
- 7
- 1
- 2
- 3



5



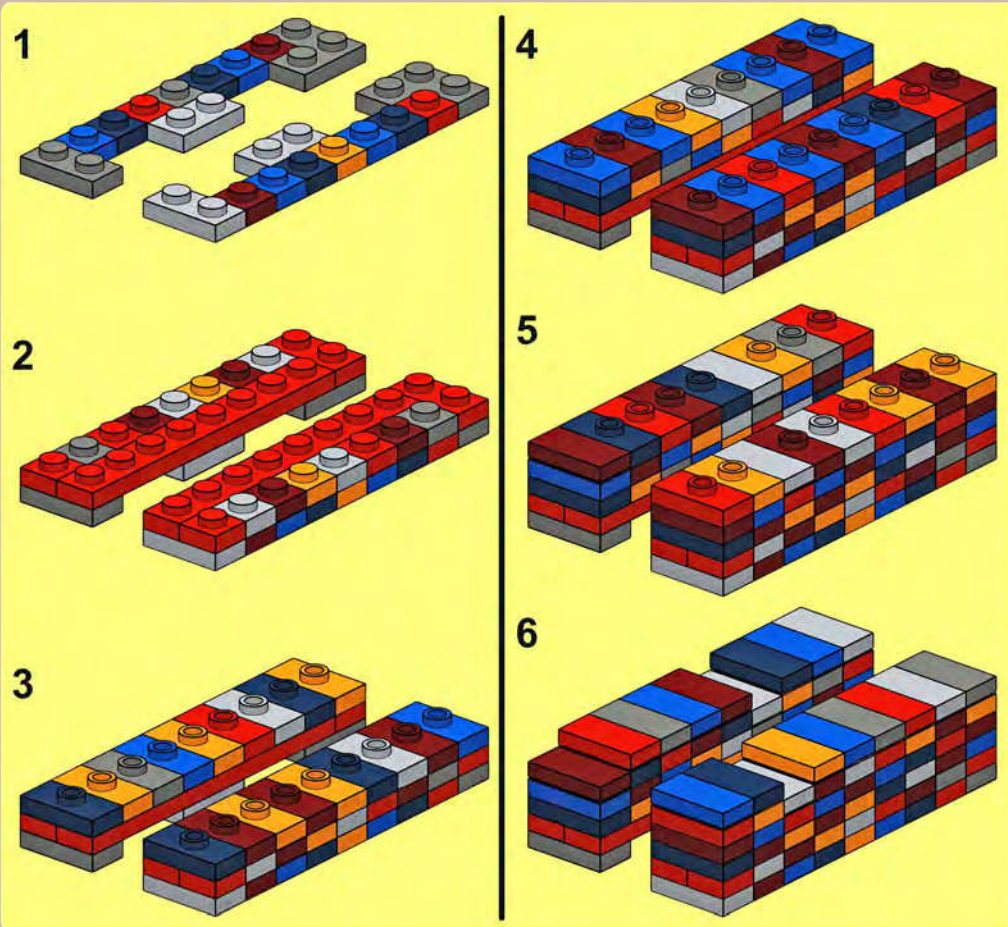
6



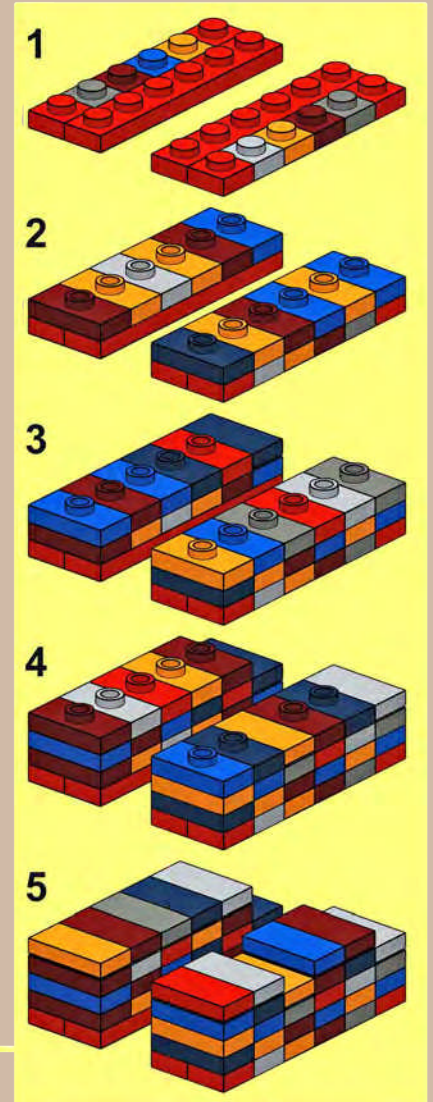
3

6

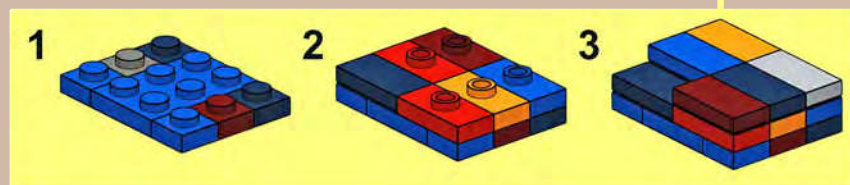
7



8



9

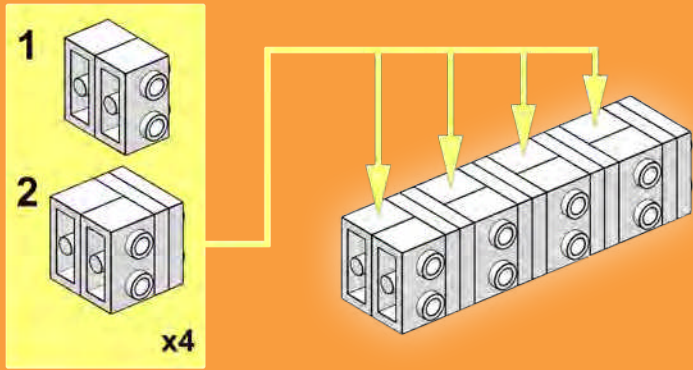


CRUISE SHIP

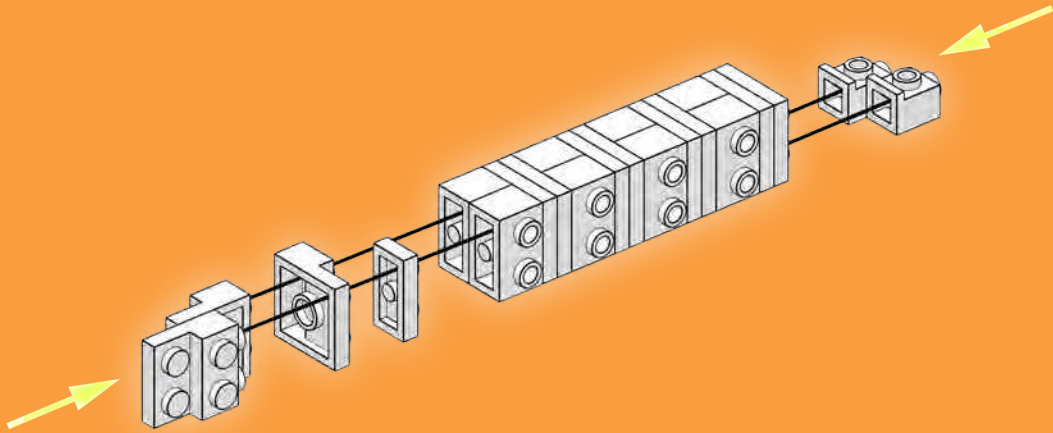
Alexander Bugiel



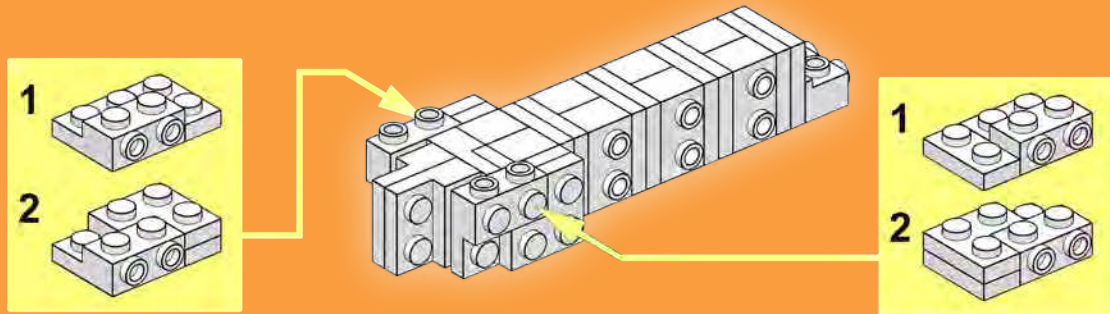
1



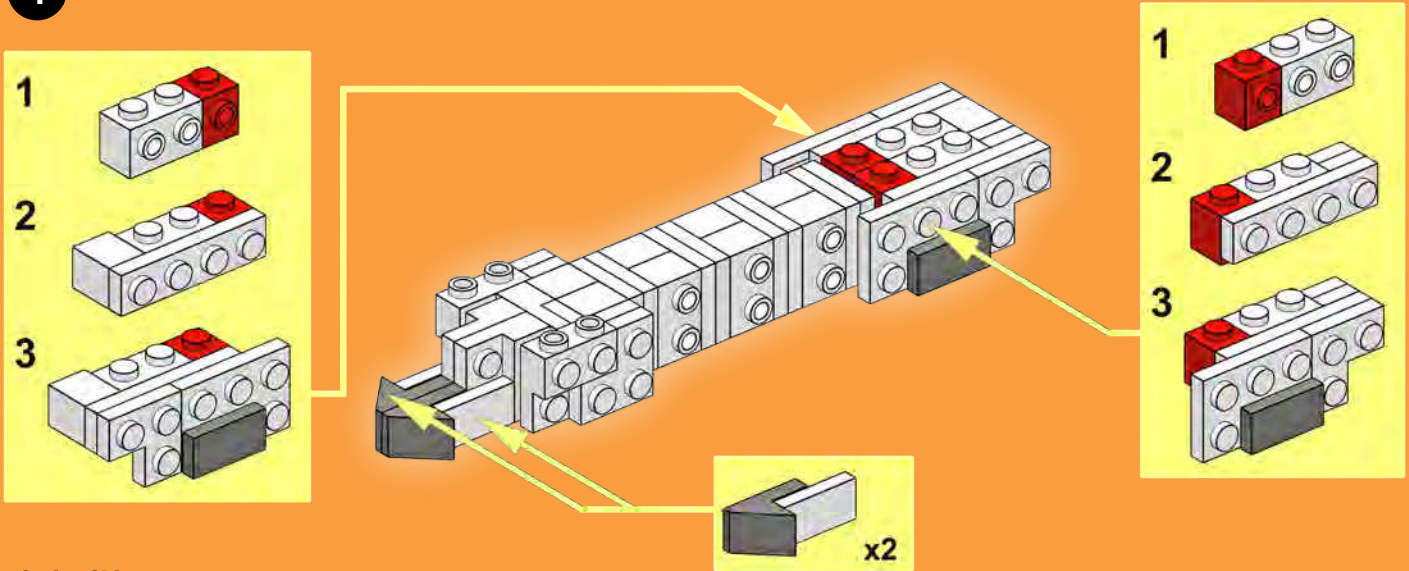
2



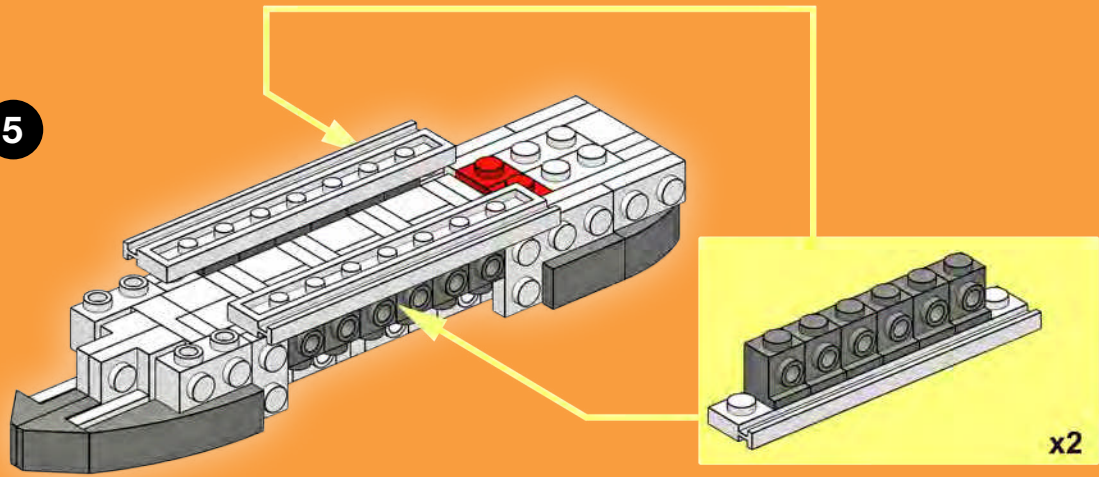
3



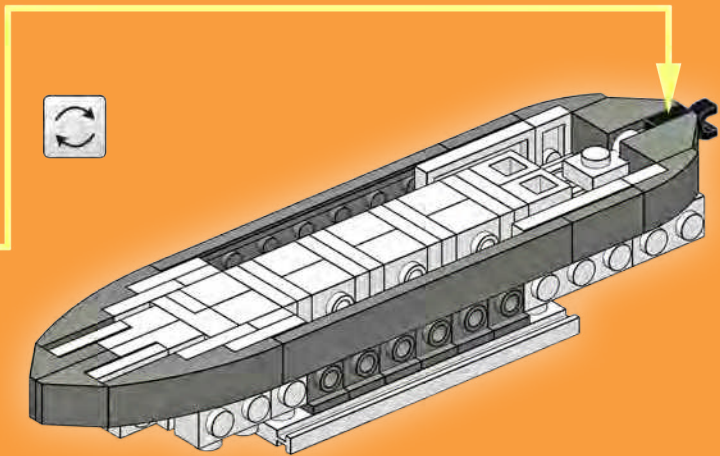
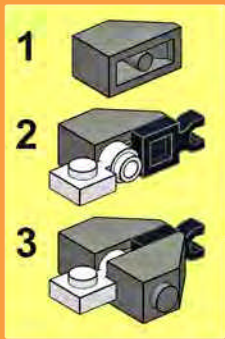
4



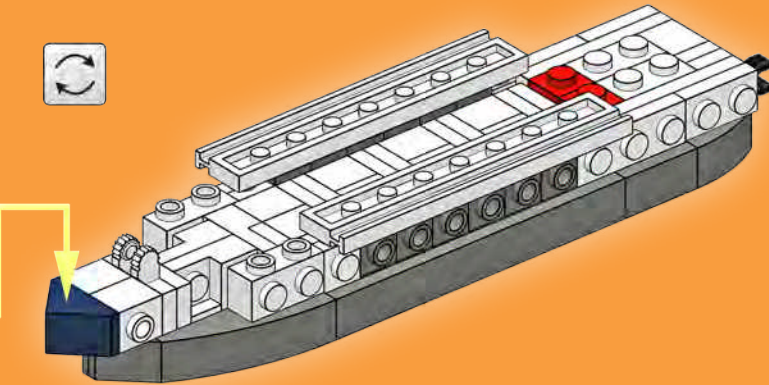
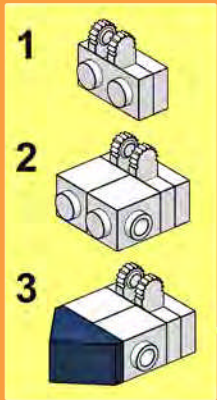
5



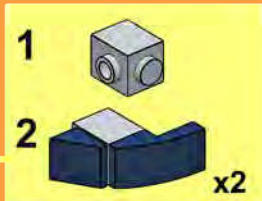
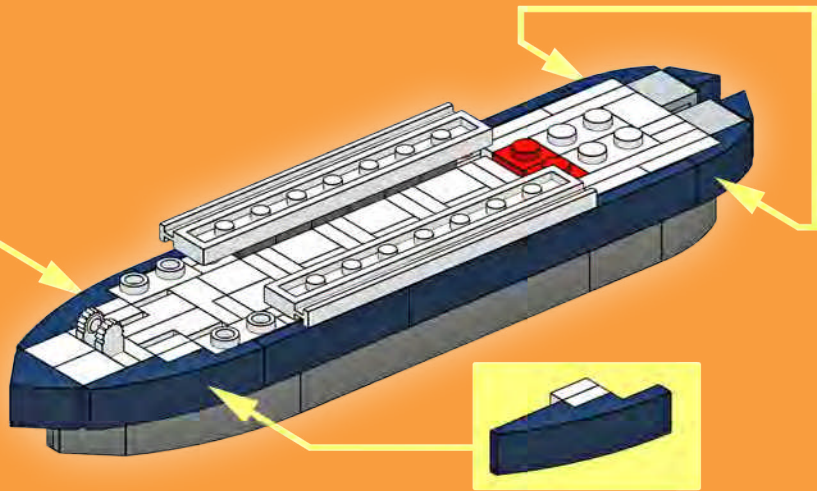
6



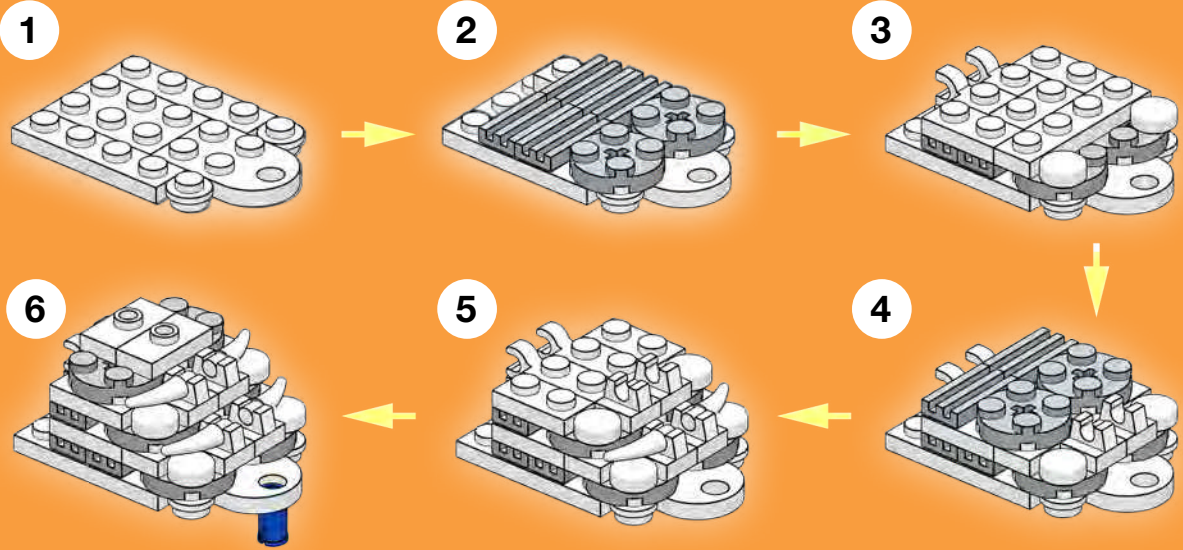
7



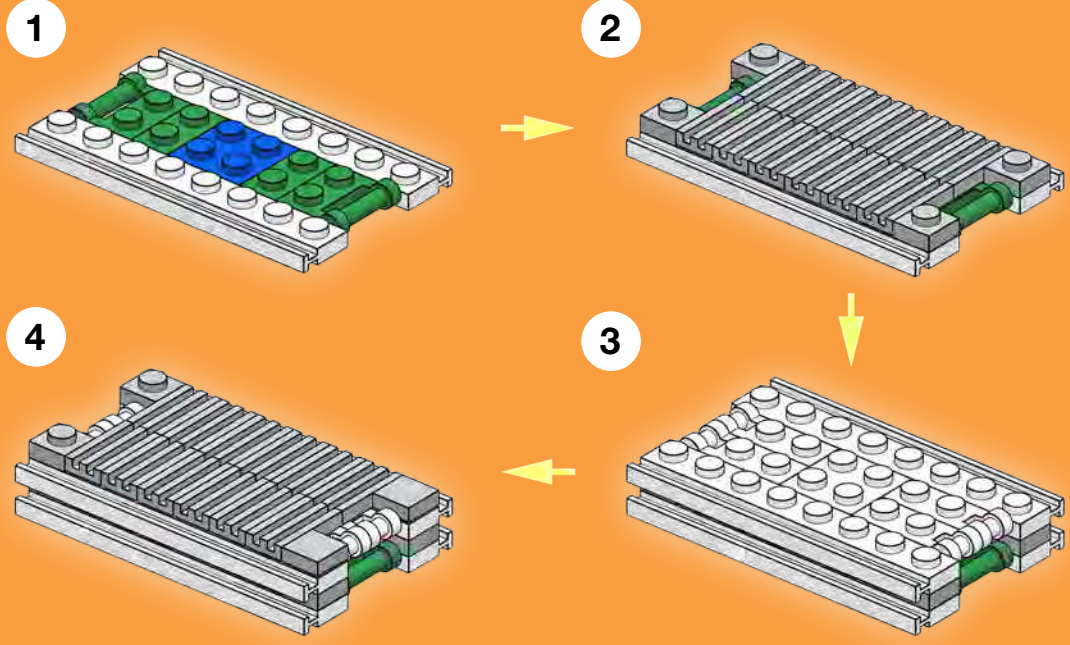
8



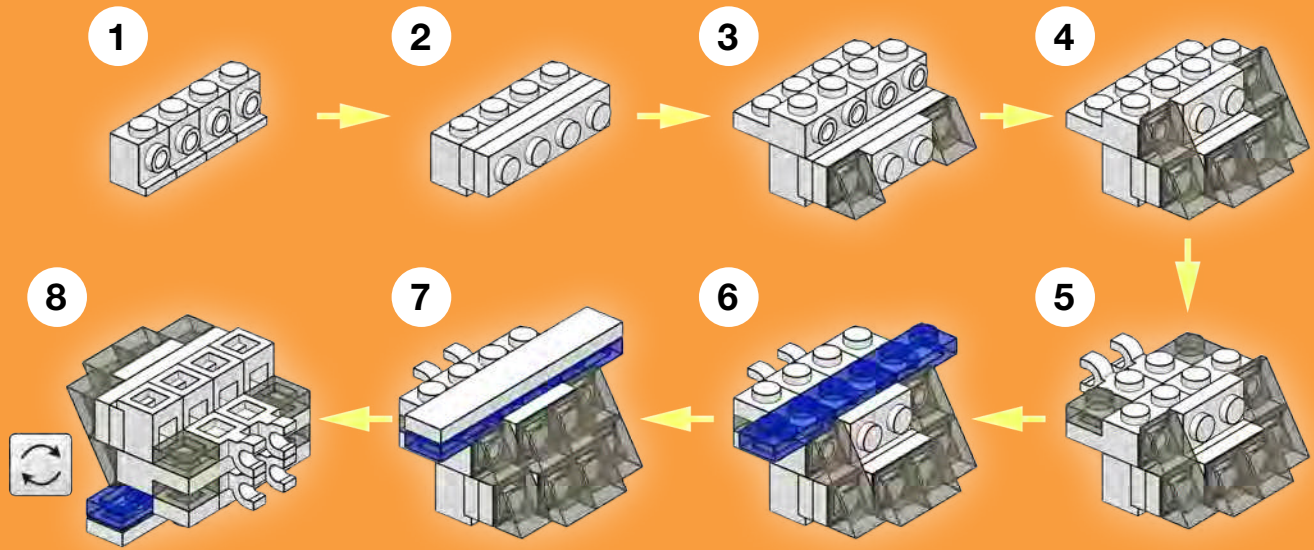
9



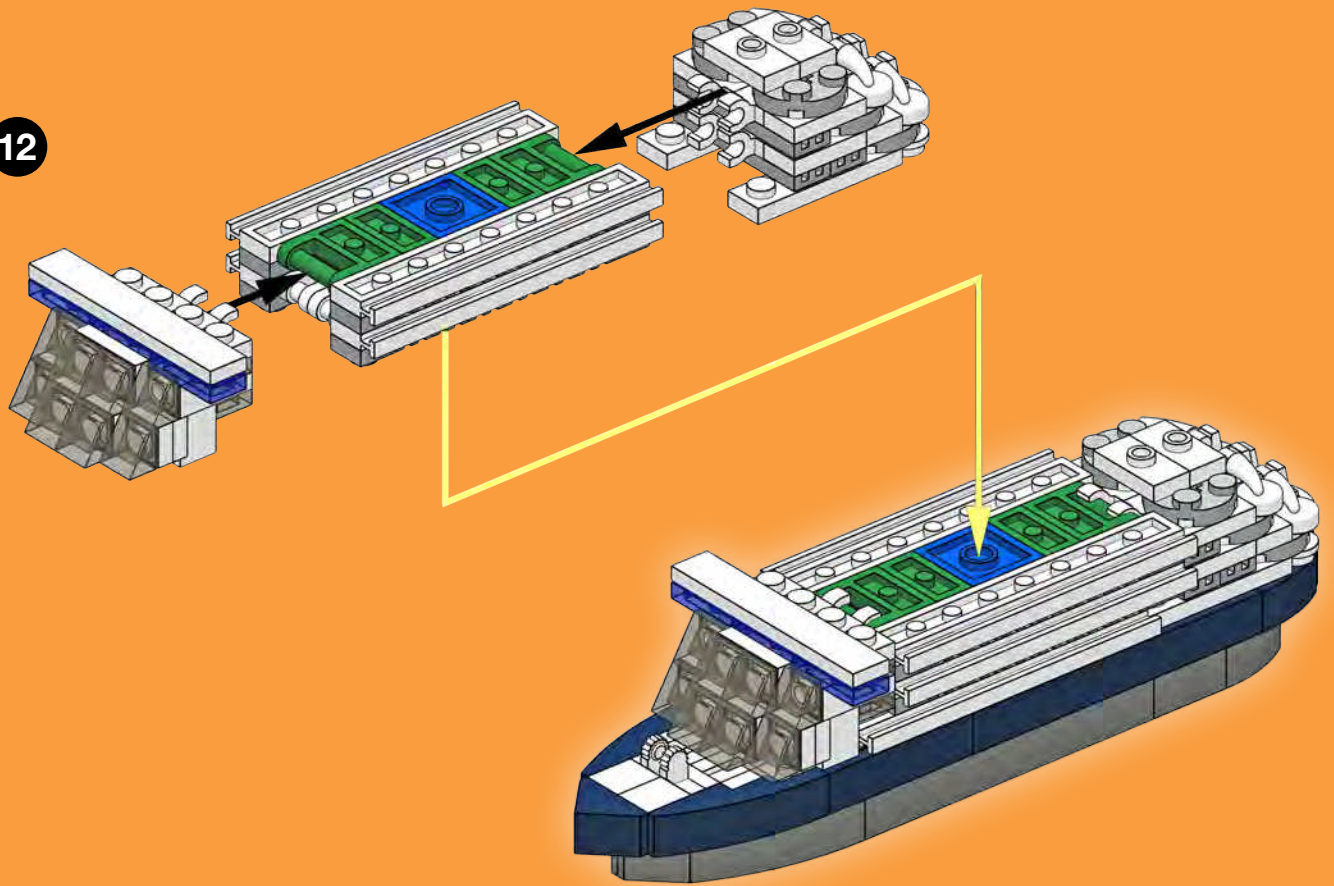
10



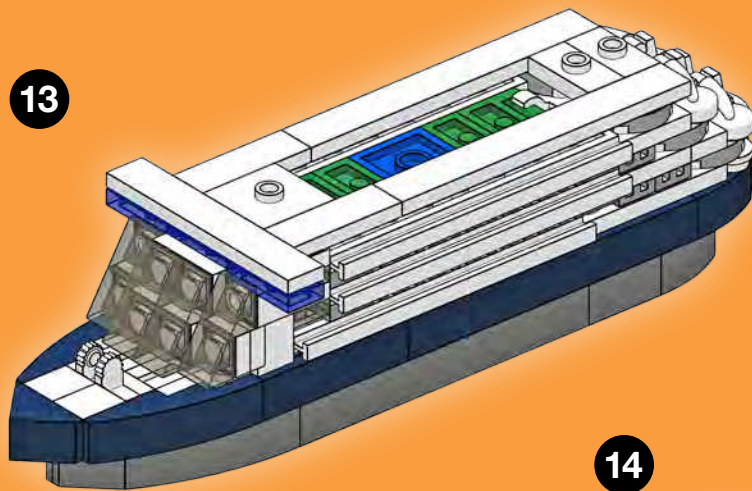
11



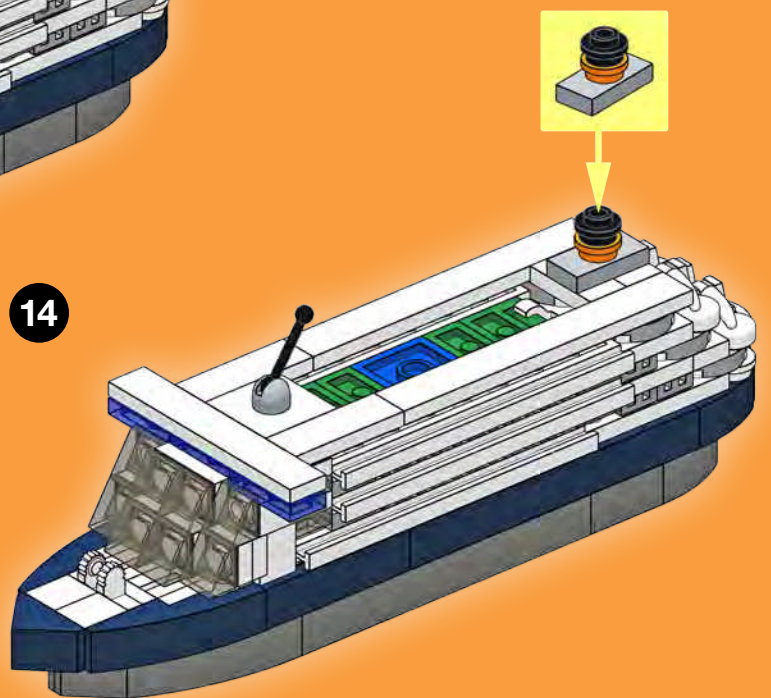
12

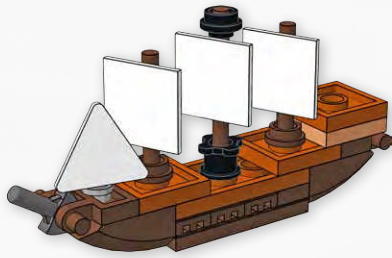


13

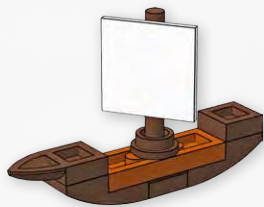
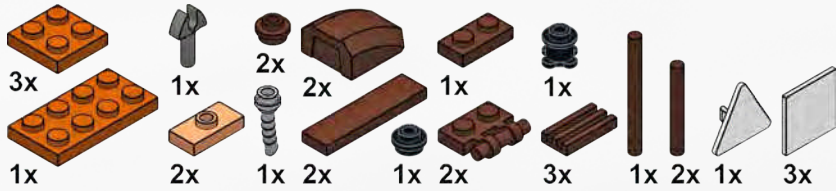


14





BILL OF MATERIALS



BILL OF MATERIALS



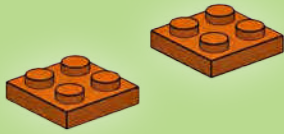
DIFFICULTY LEVEL: EASY

WOODEN SHIPS

Alexander Bugiel



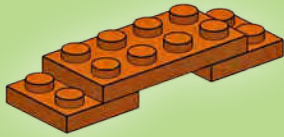
1



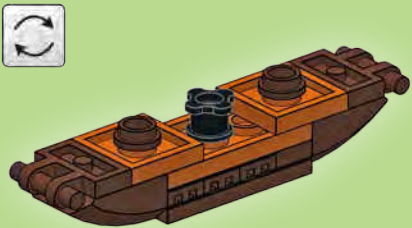
5



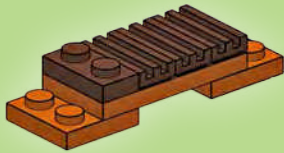
2



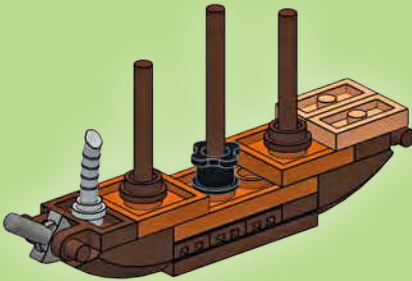
6



3



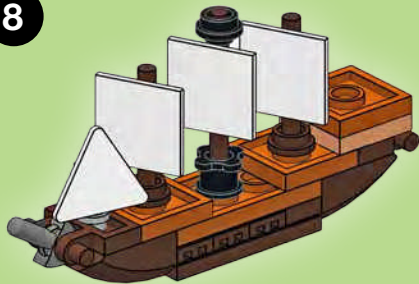
7



4



8



1



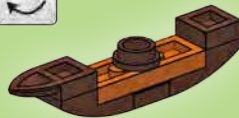
2



3



4

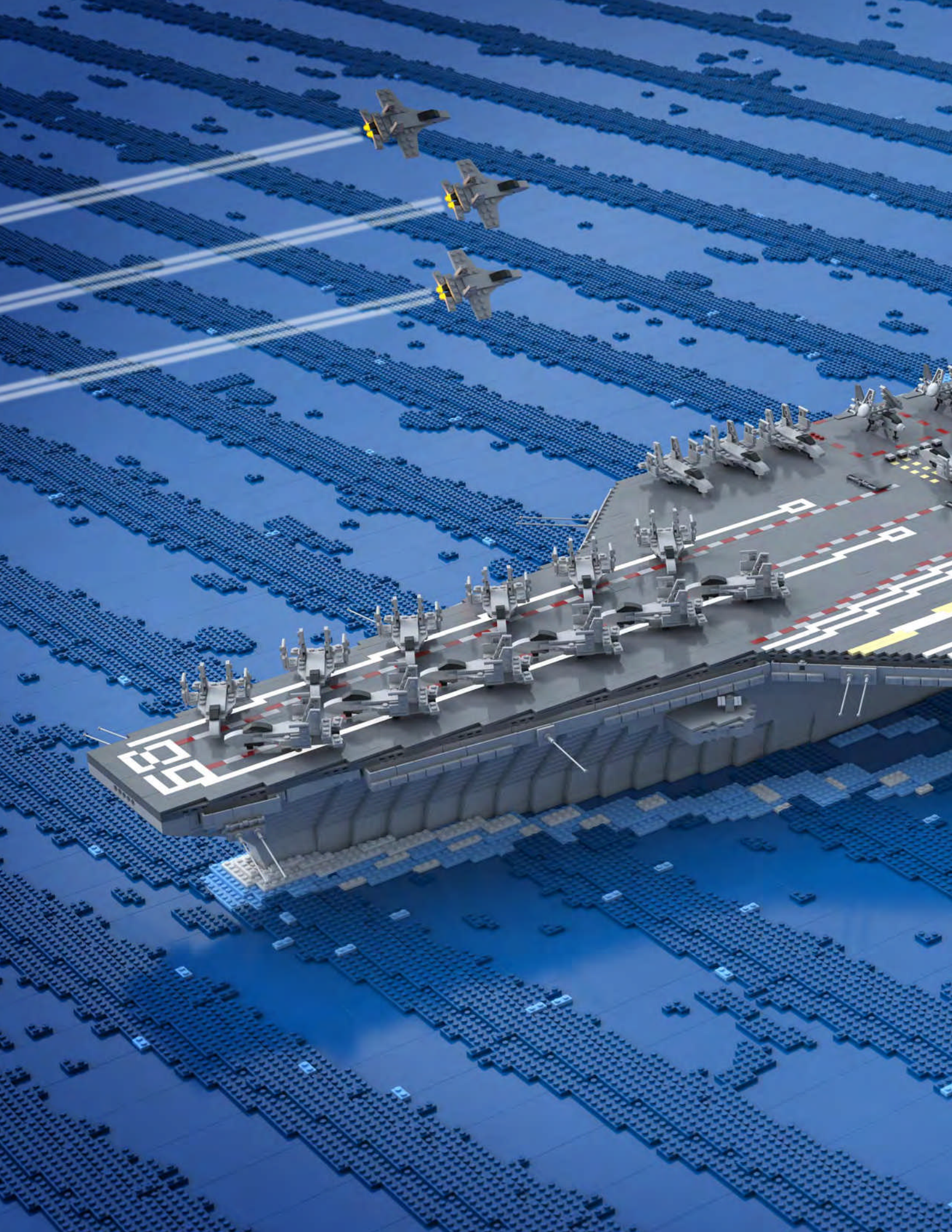


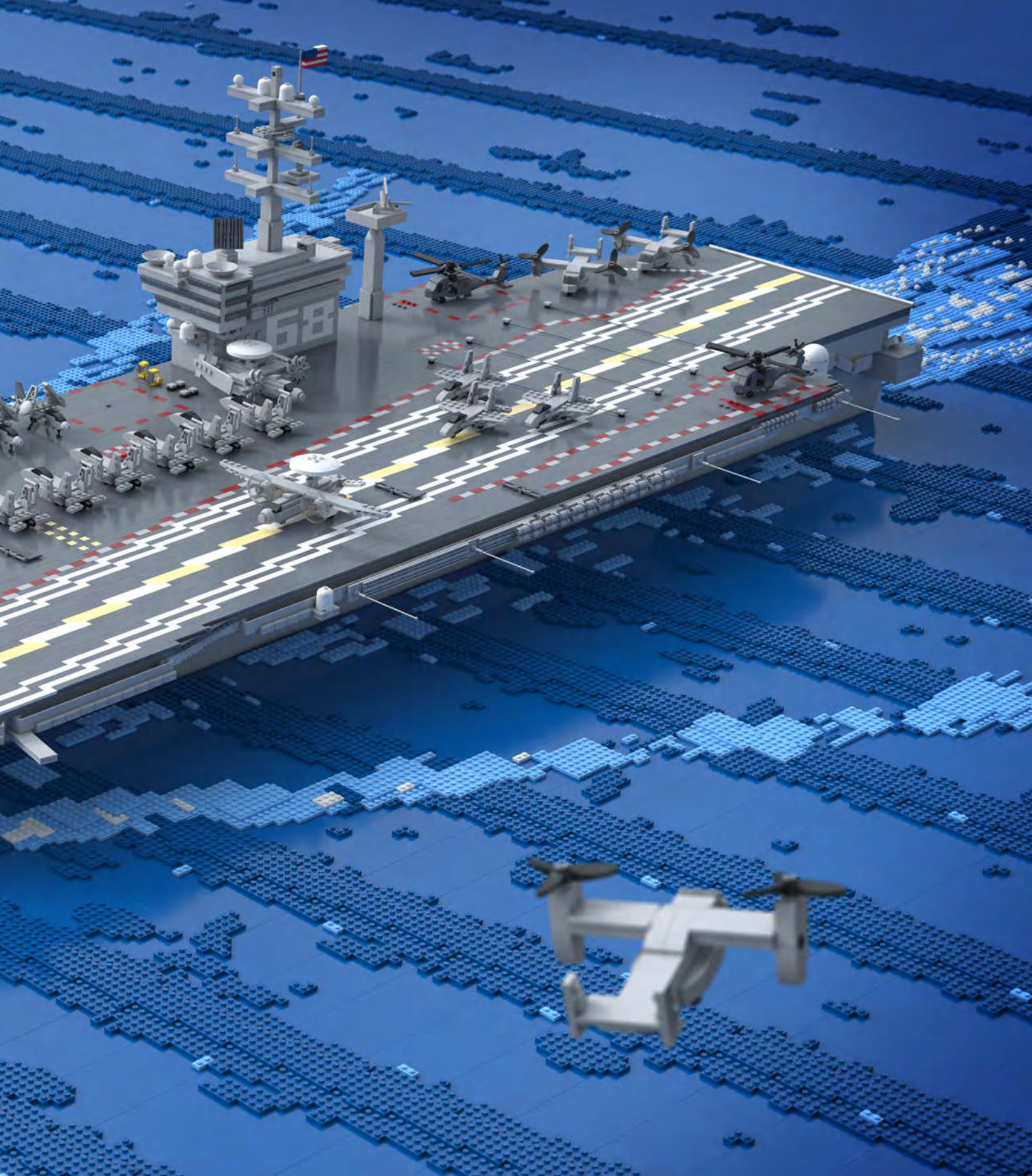
5



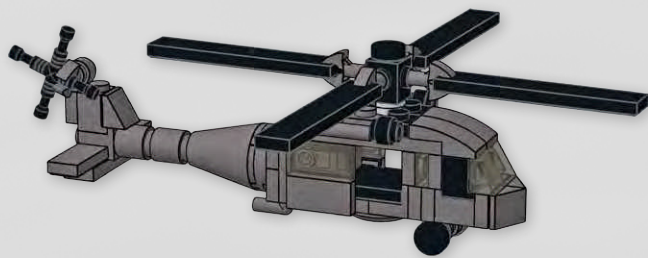
6



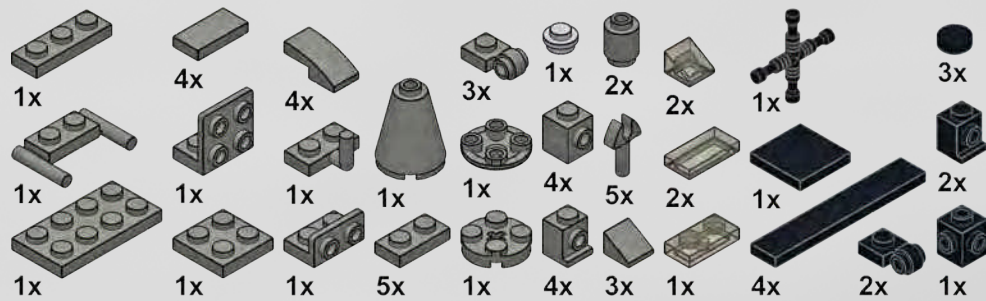




THE AIRCRAFT CARRIER



BILL OF MATERIALS

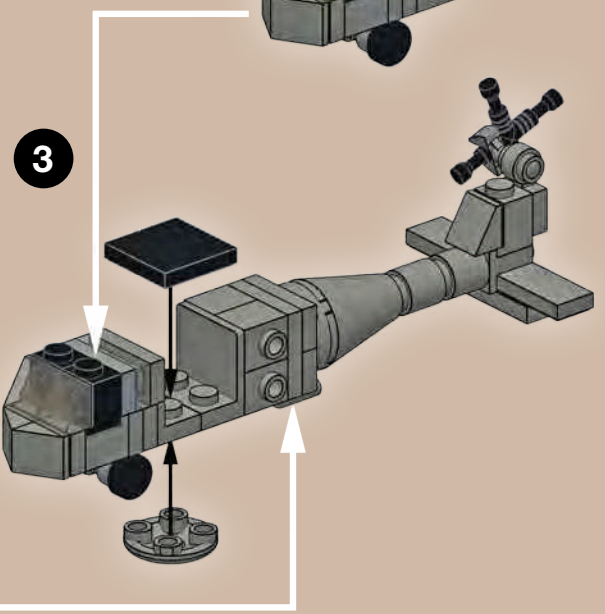
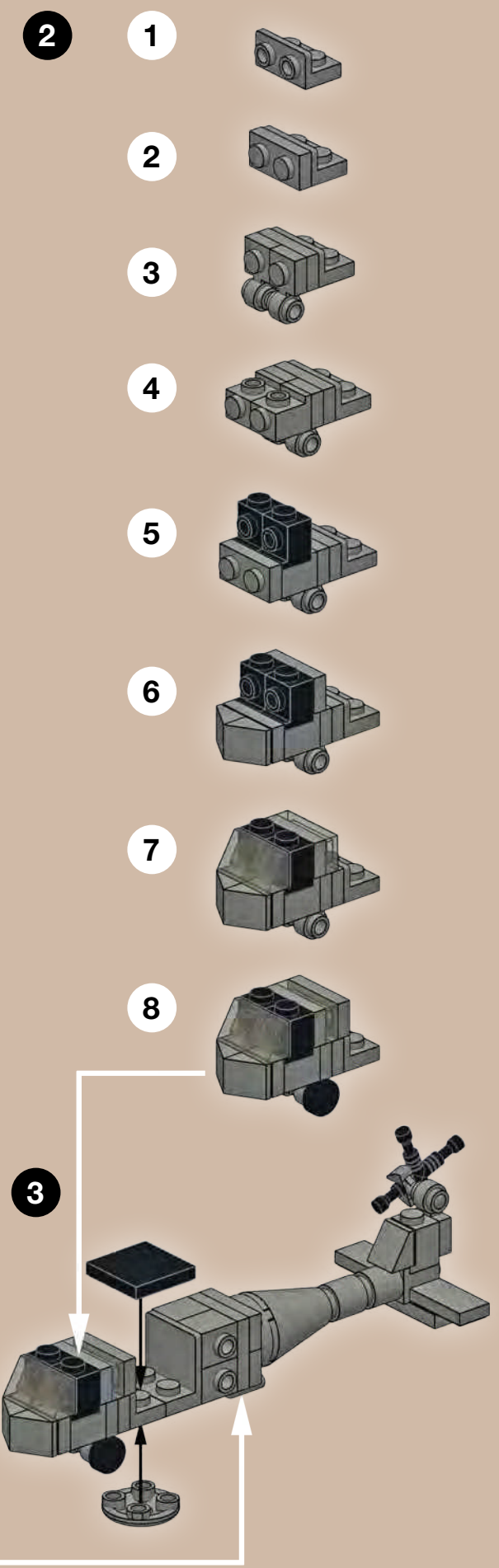
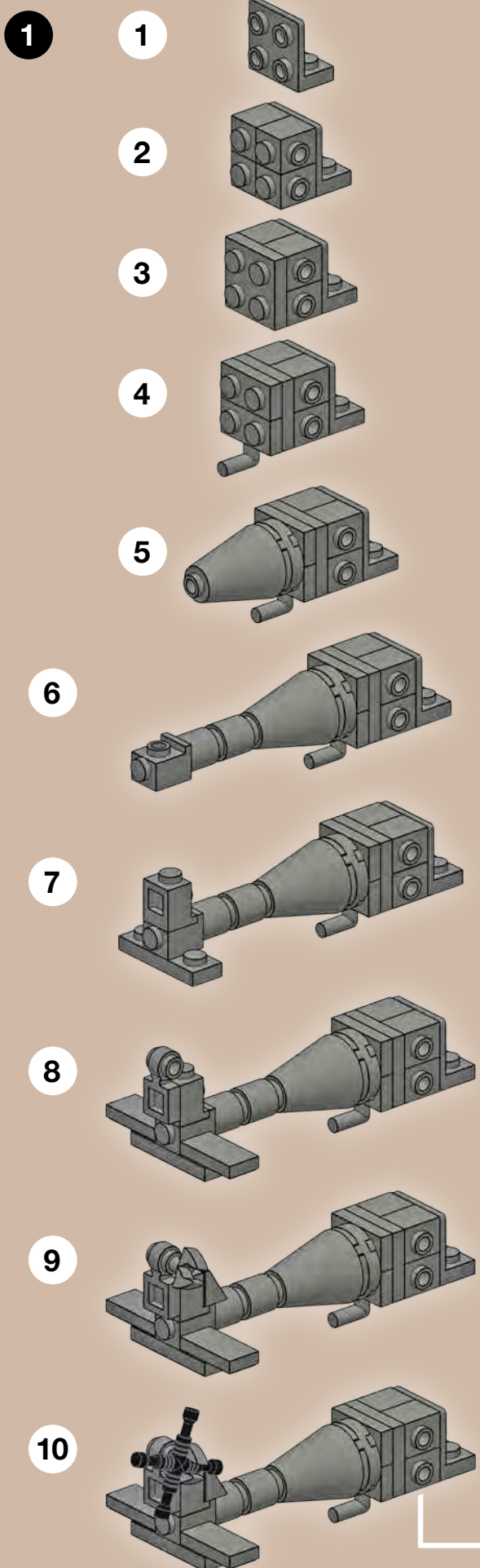


DIFFICULTY LEVEL: MEDIUM

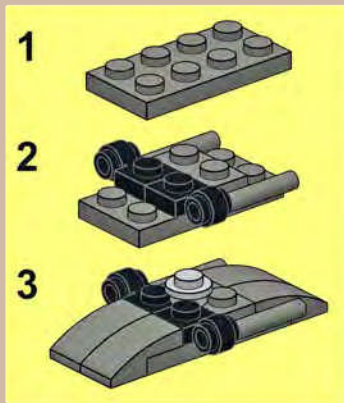
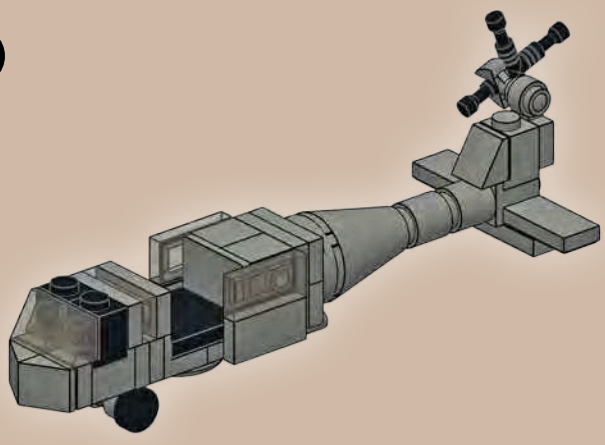
BLACK HAWK

Alexander Bugiel

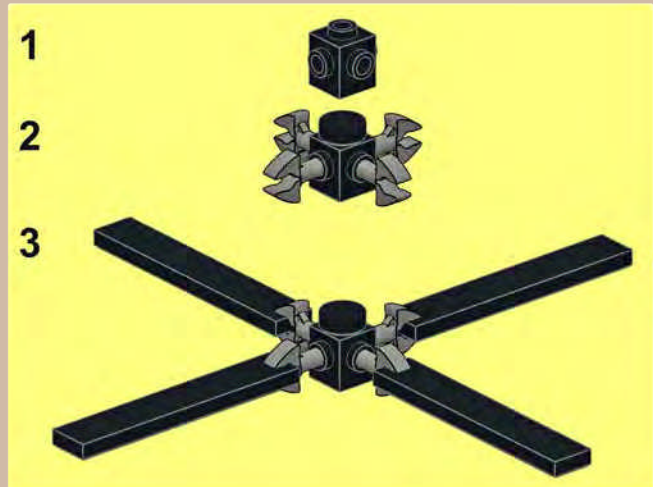
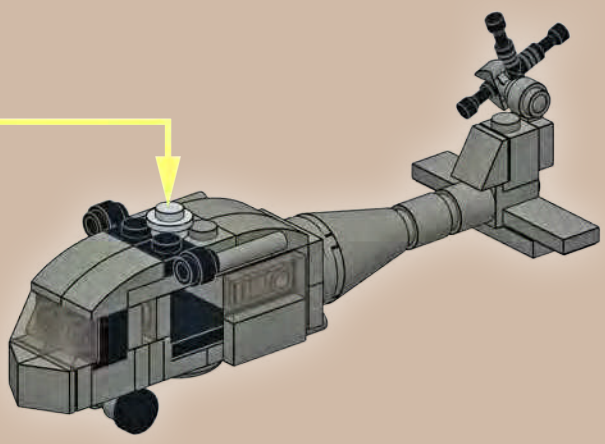




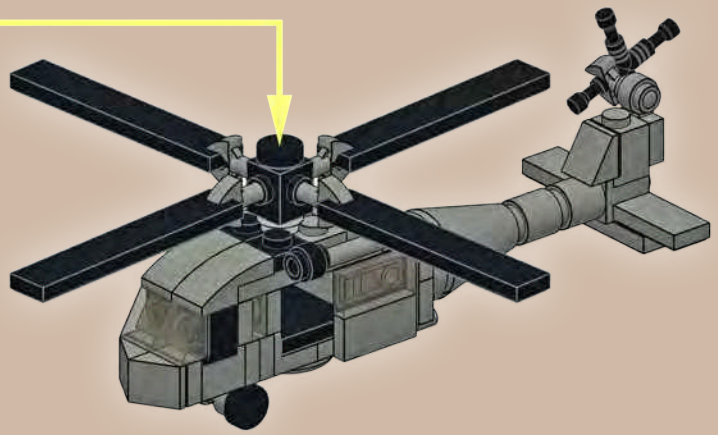
4

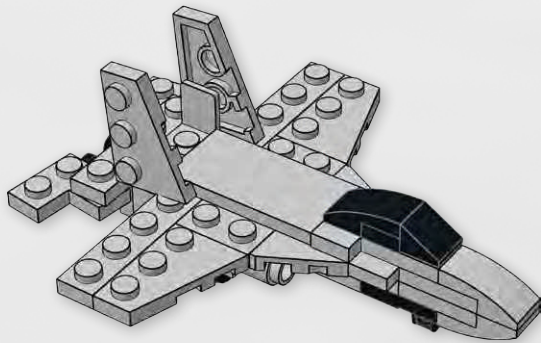


5

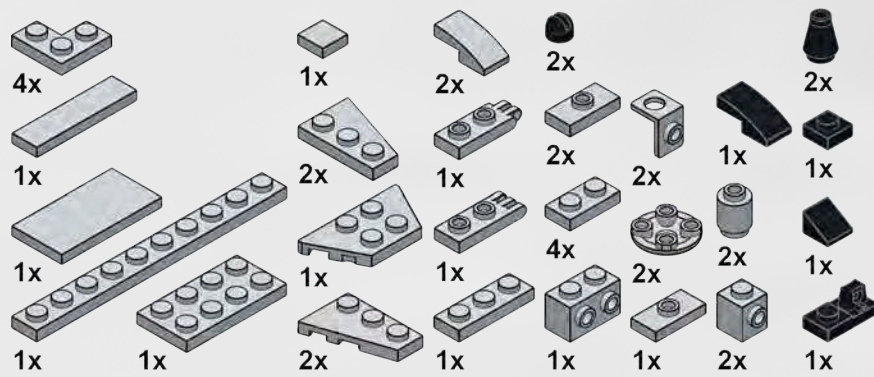


6





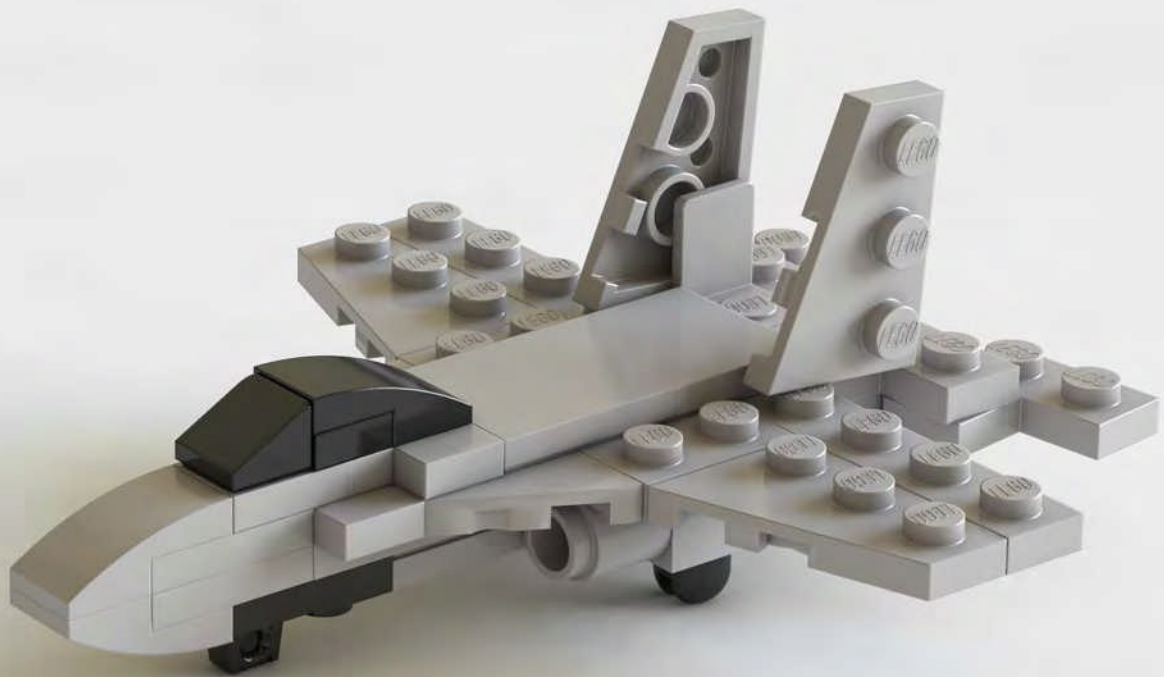
BILL OF MATERIALS



DIFFICULTY LEVEL: MEDIUM

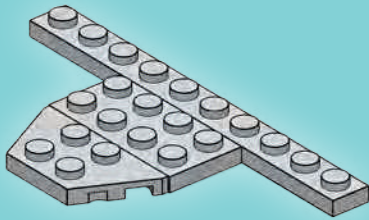
F-15 EAGLE

Alexander Bugiel

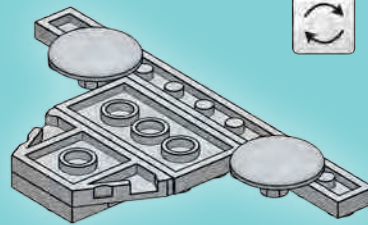


1

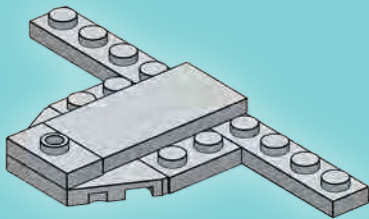
1



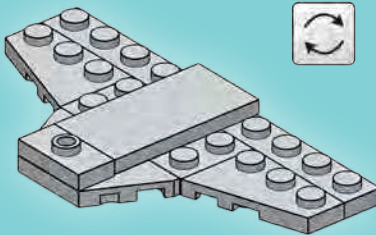
3



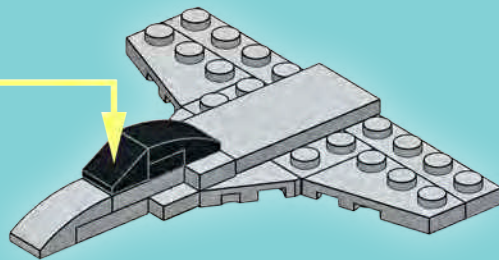
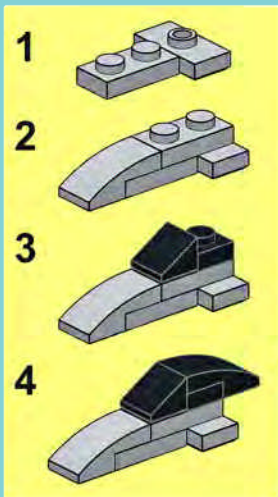
2



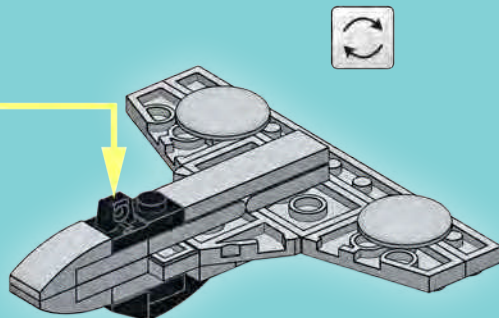
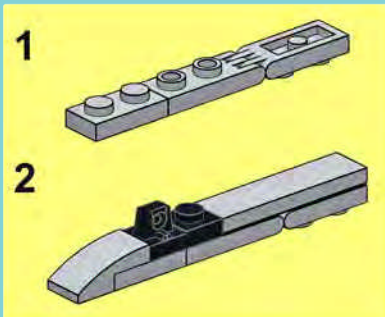
4



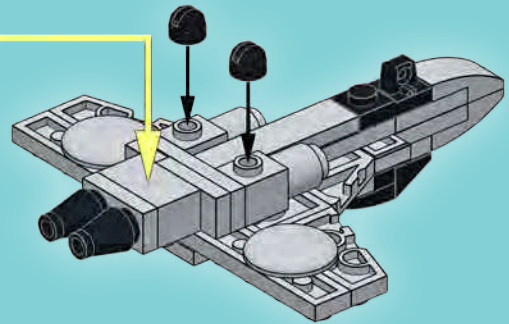
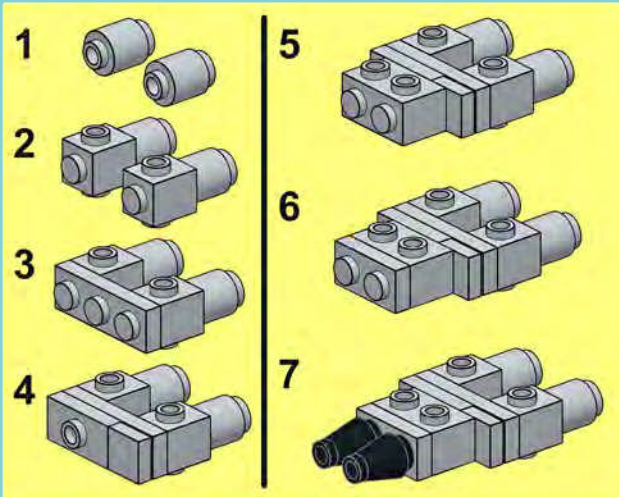
2



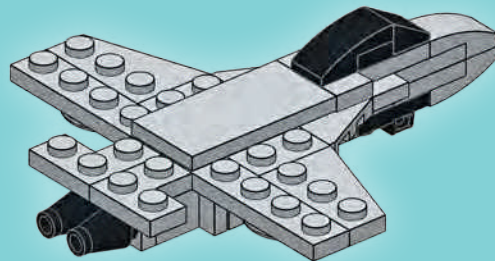
3



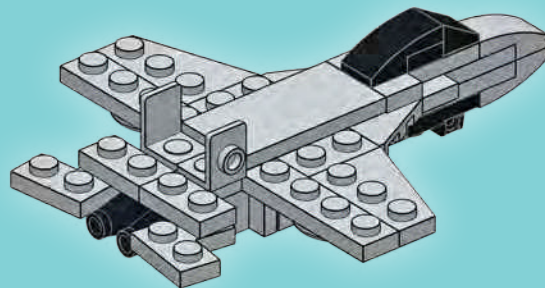
4



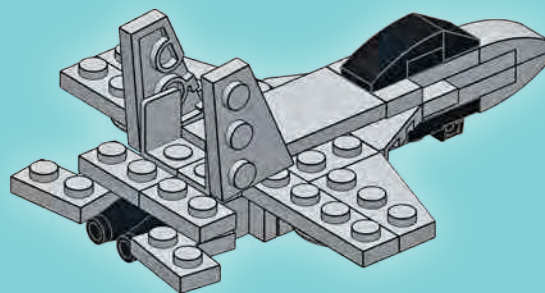
5

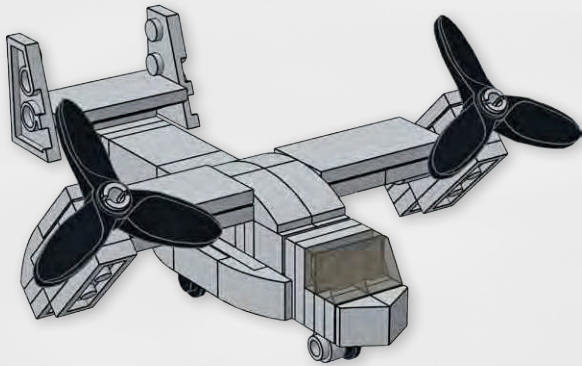


6

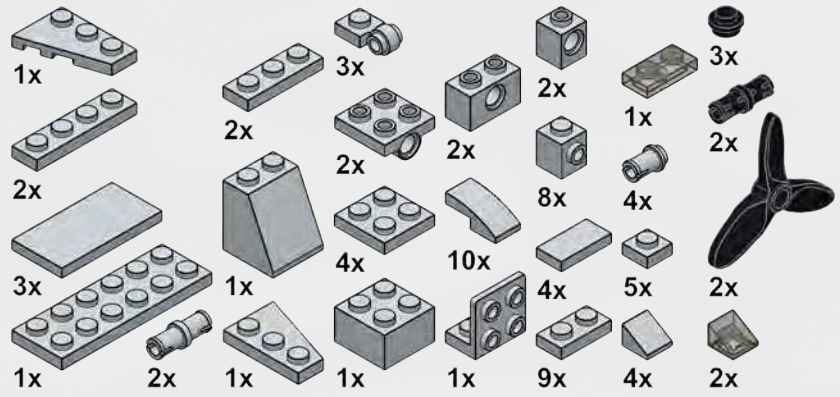


7





BILL OF MATERIALS



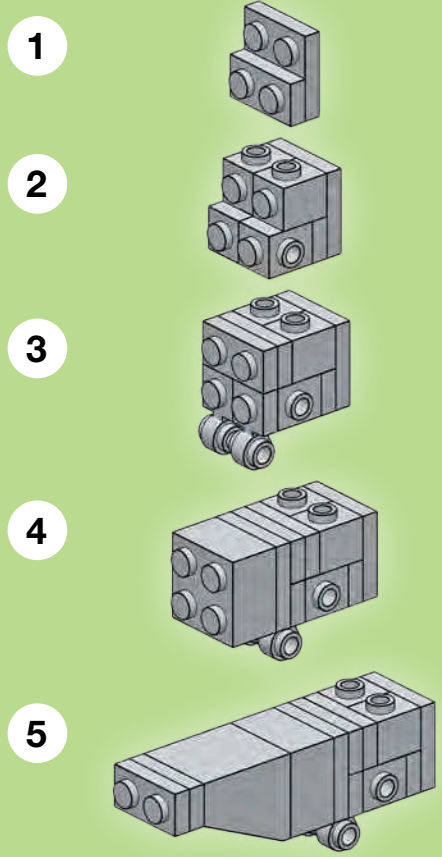
DIFFICULTY LEVEL: MEDIUM

V-22 OSPREY

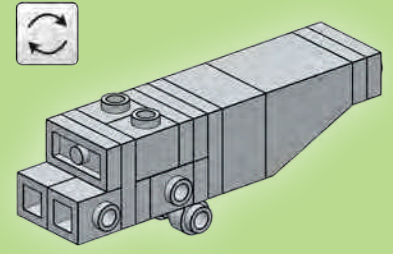
Mattia Zamboni



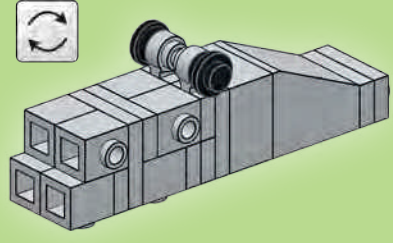
1



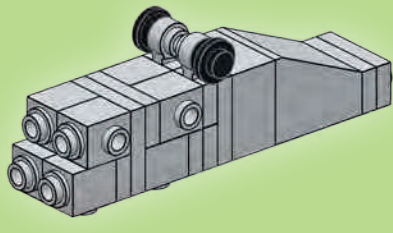
6



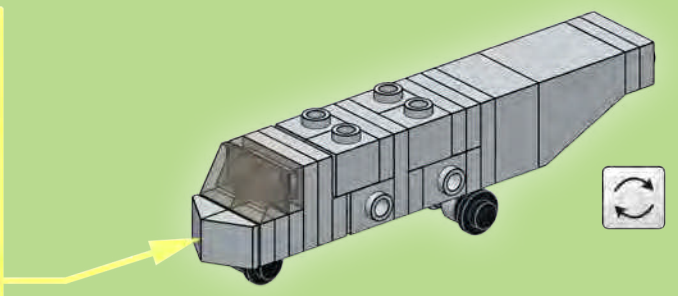
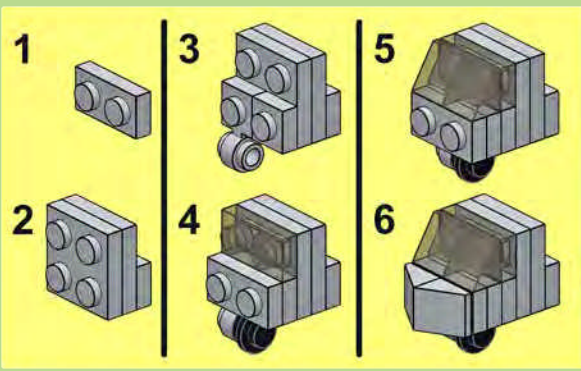
7



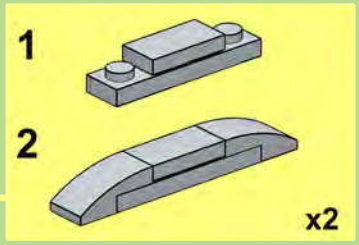
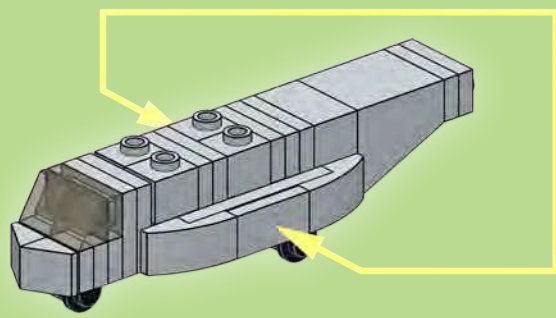
8



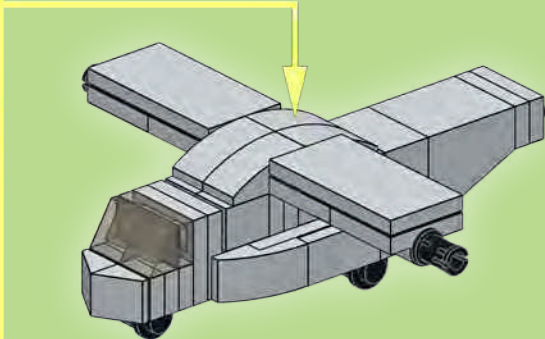
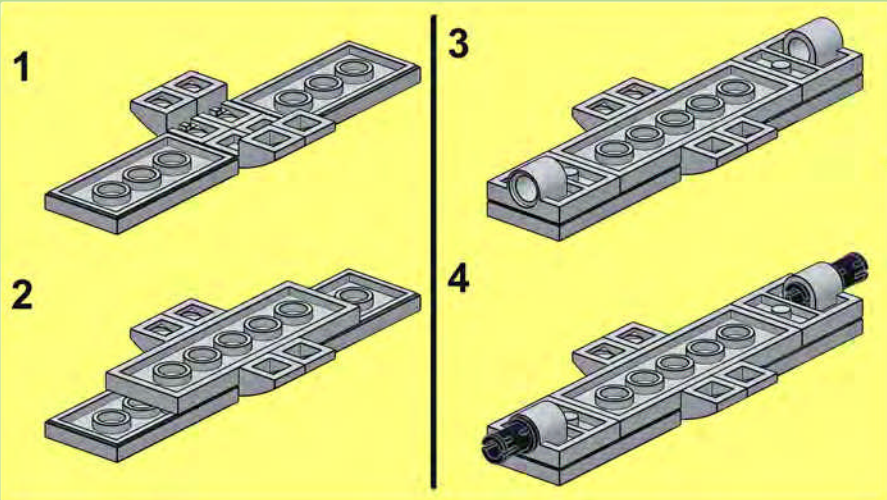
2



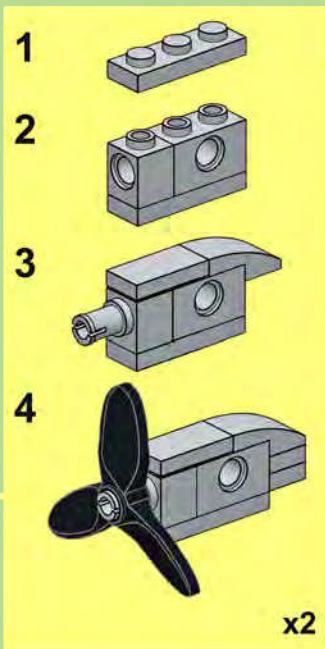
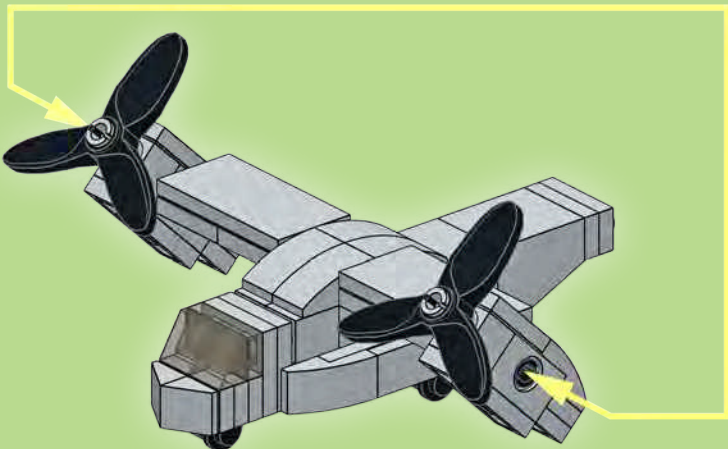
3



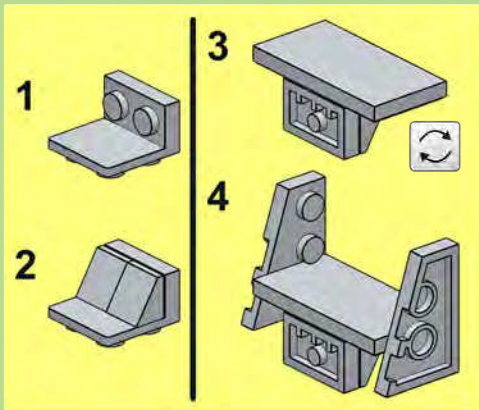
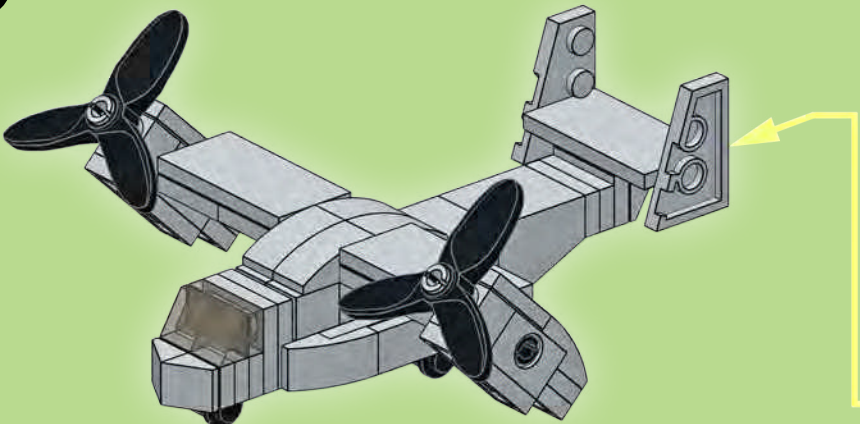
4



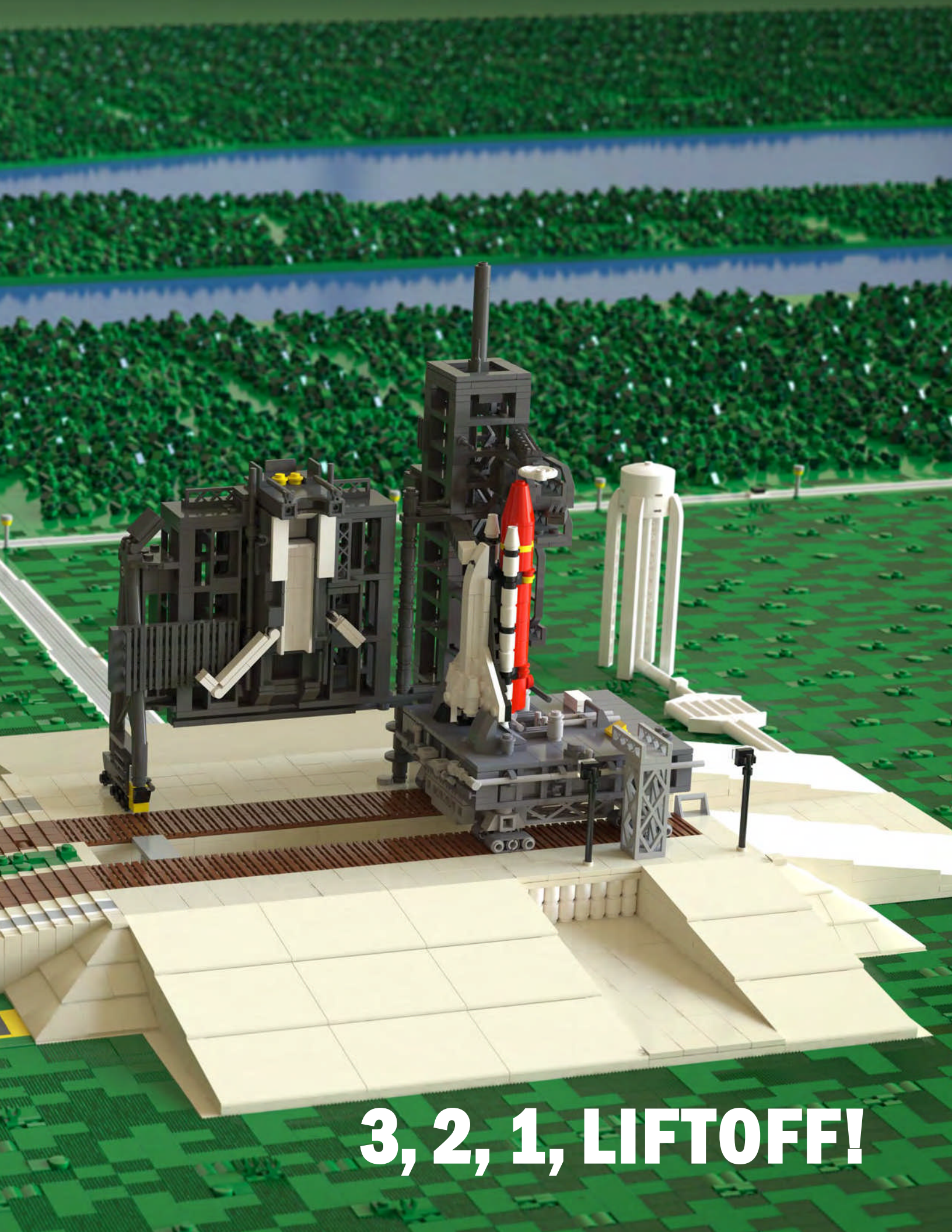
5



6







3, 2, 1, LIFTOFF!

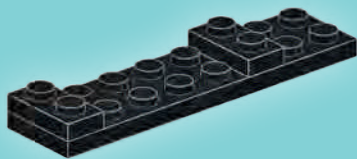
SPACE SHUTTLE

Matteo Russolillo



1

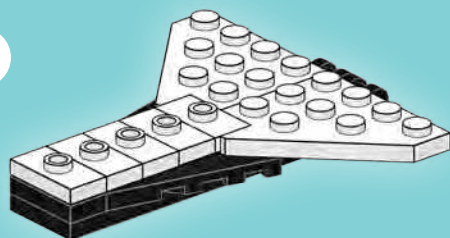
1



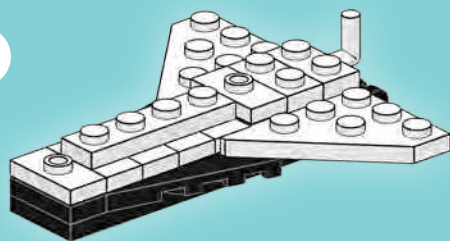
2



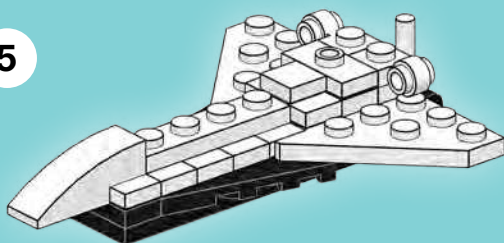
3



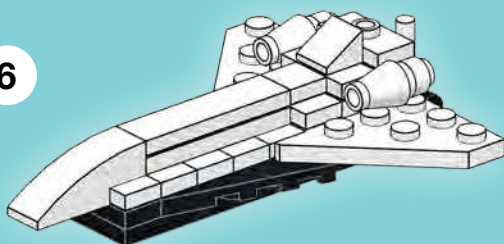
4



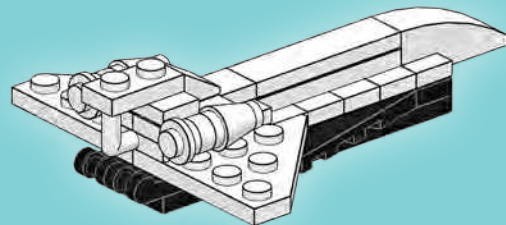
5



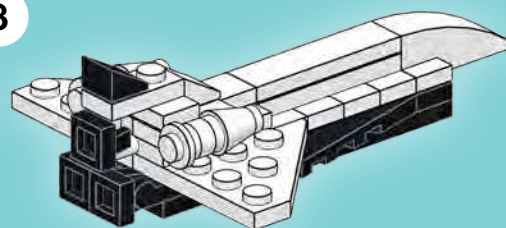
6



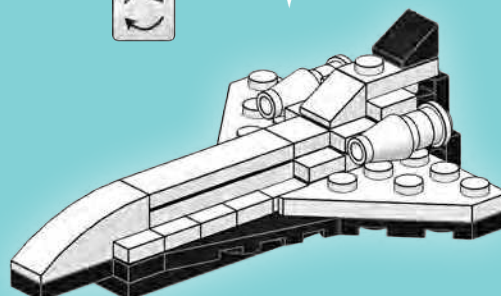
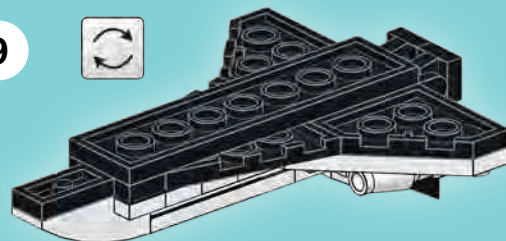
7



8



9



2

1

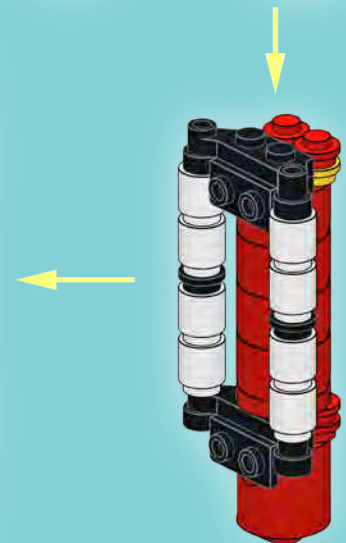
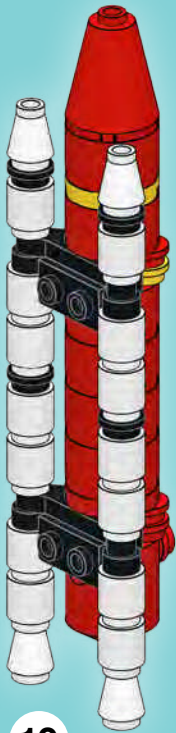
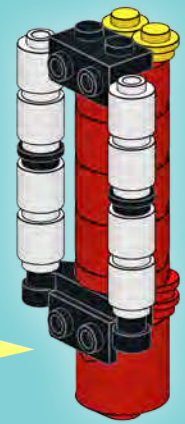
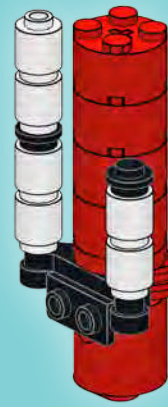
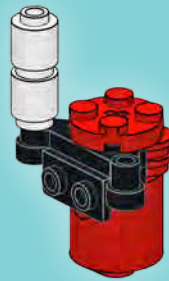
2

3

4

5

6



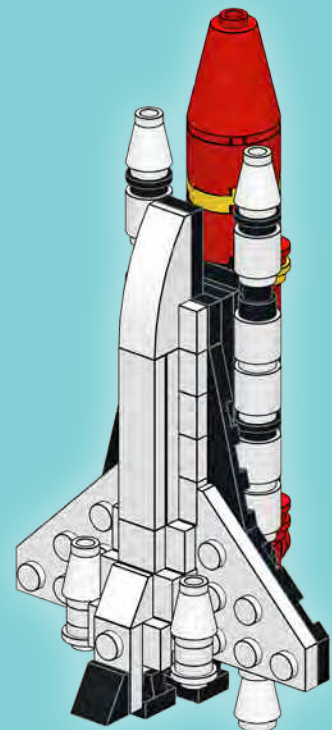
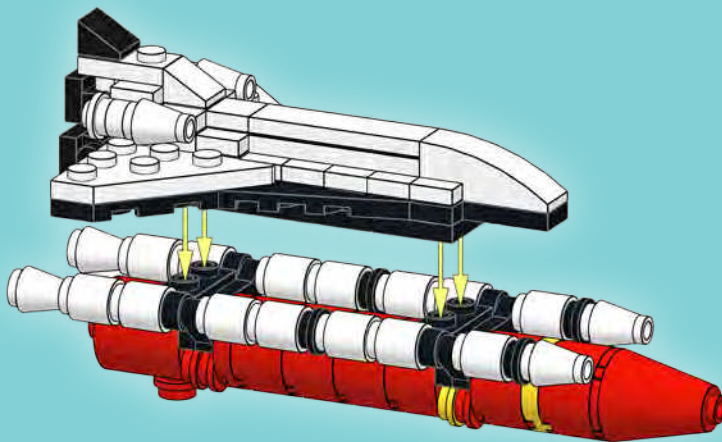
10

9

8

7

3



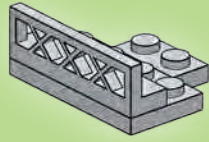
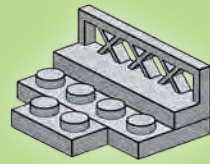
CRAWLER-TRANSPORTER

Matteo Russolillo

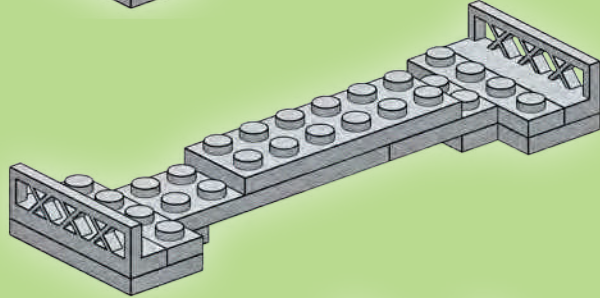


1

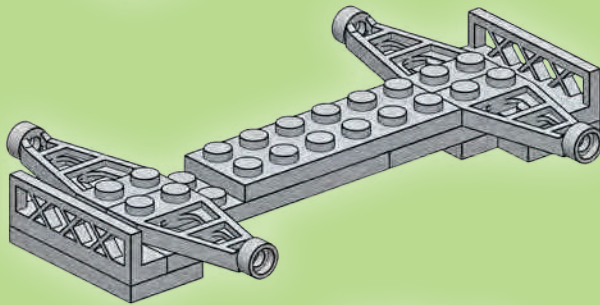
1



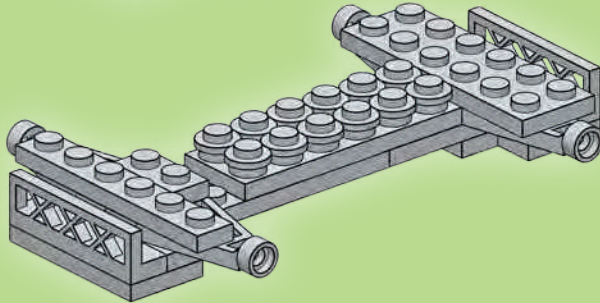
2



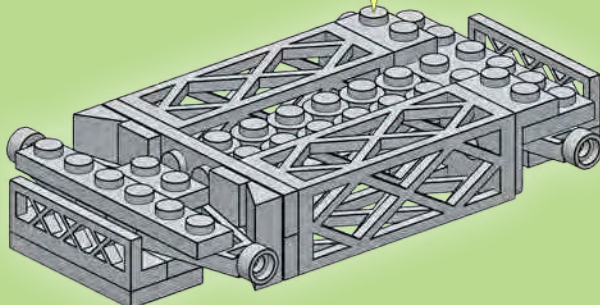
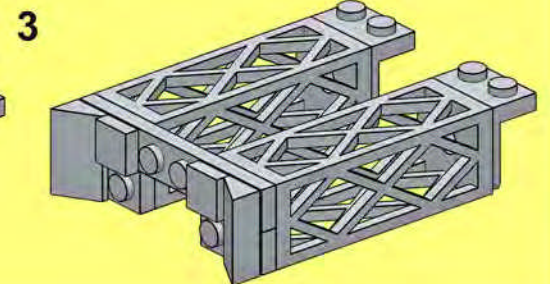
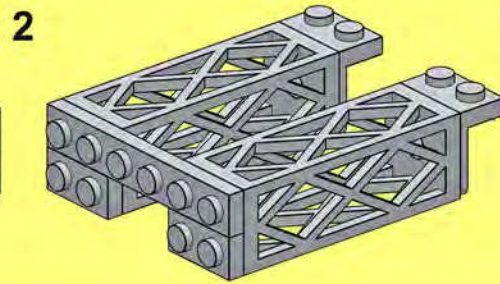
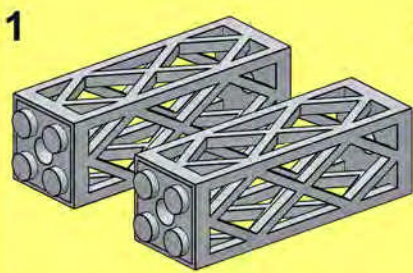
3



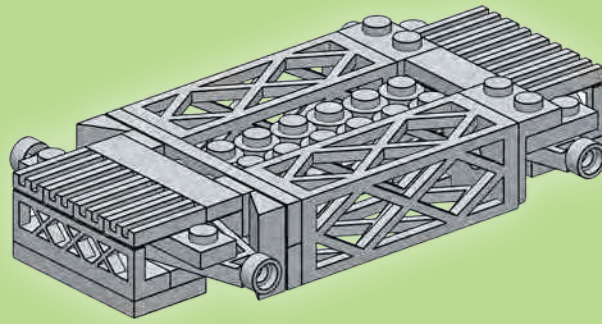
4



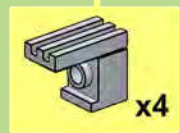
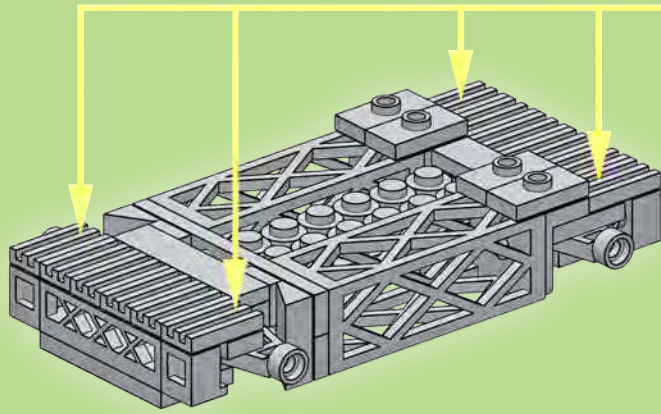
5



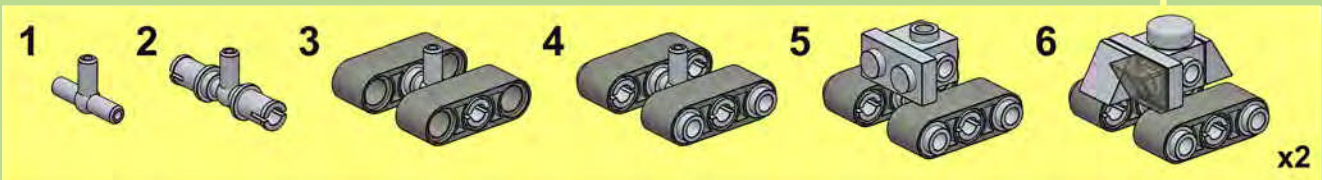
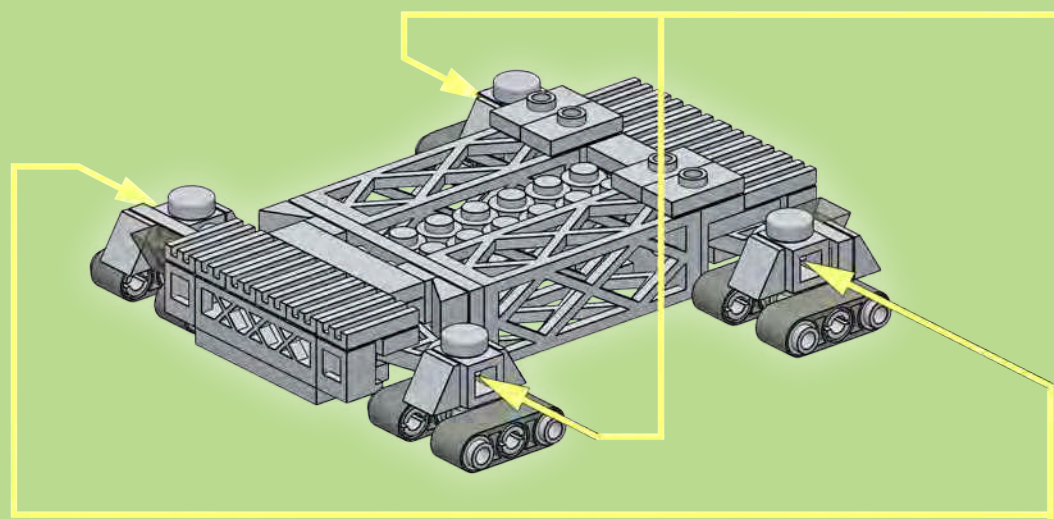
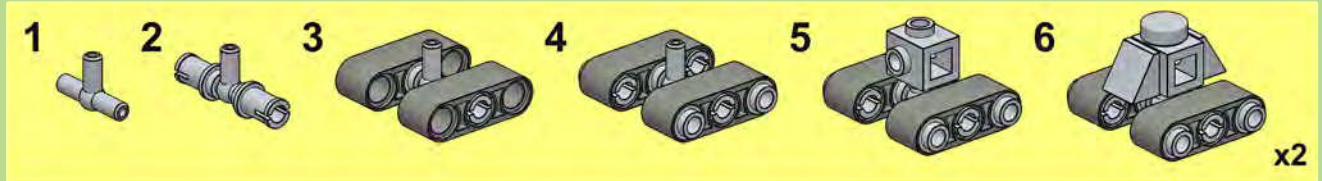
6



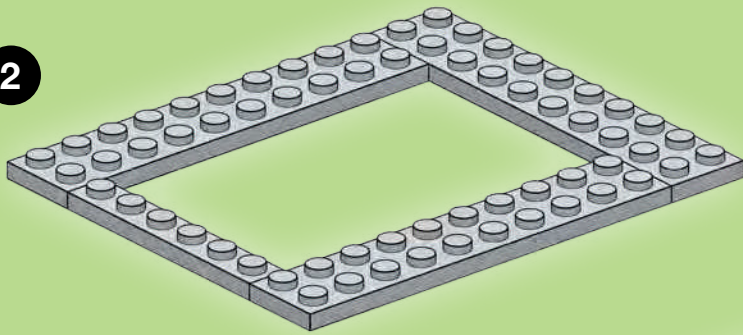
7



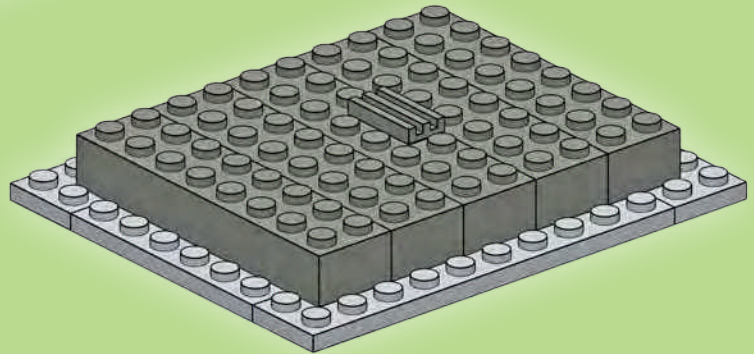
8



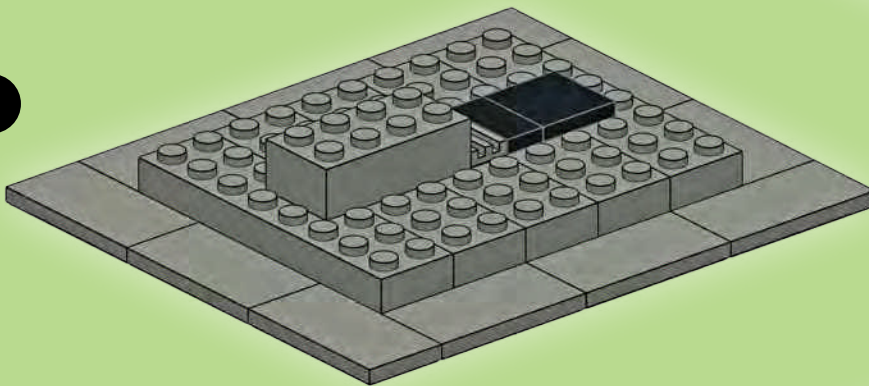
2



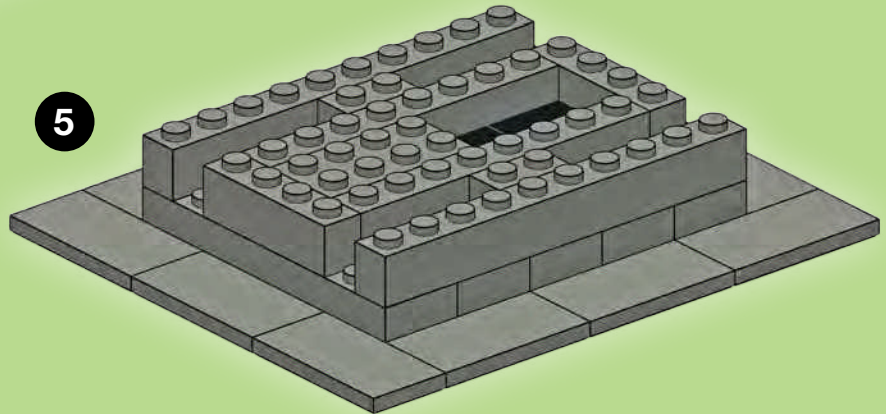
3



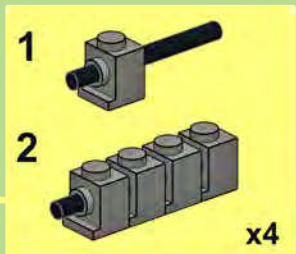
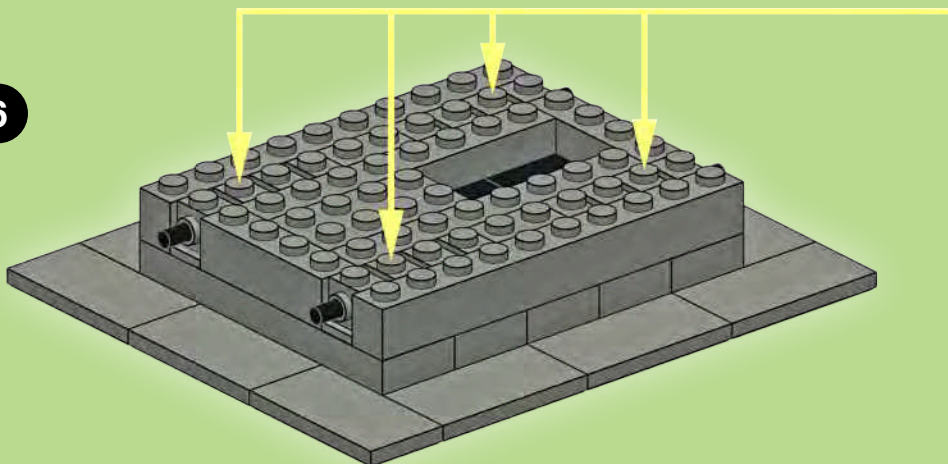
4






5


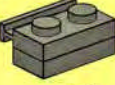



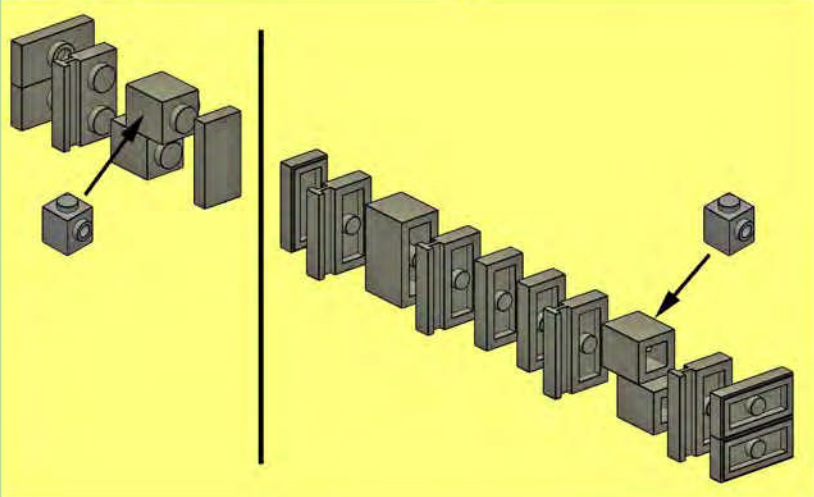
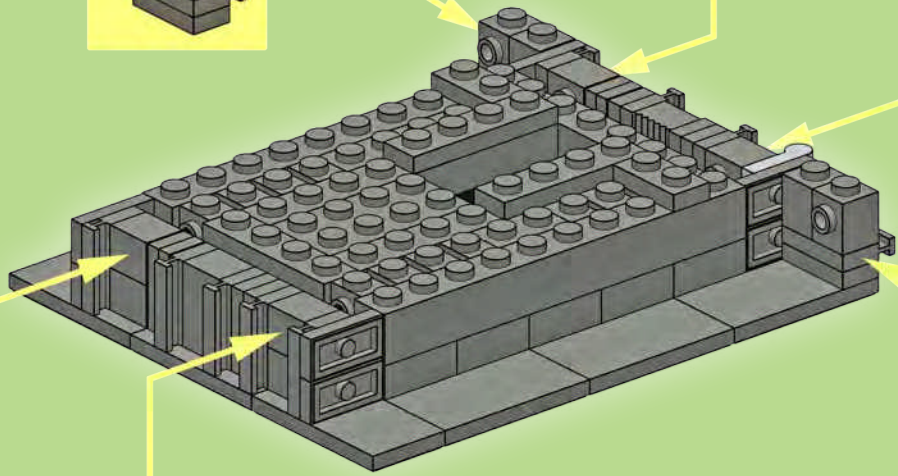
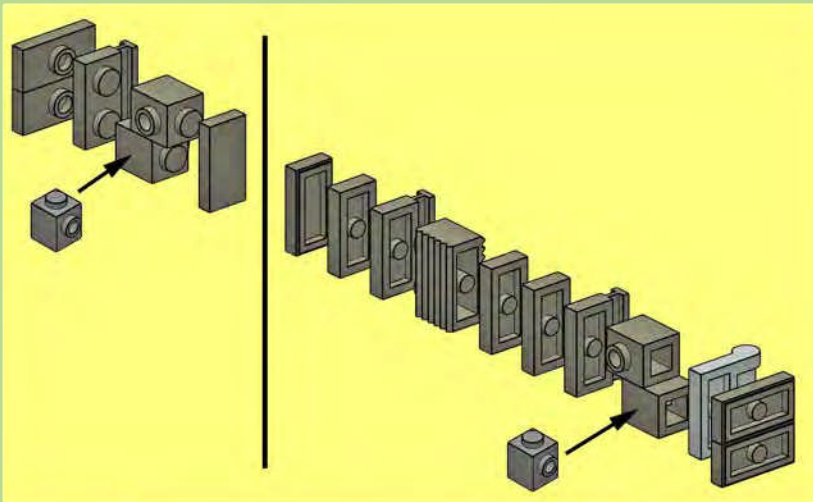
6




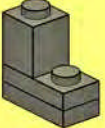
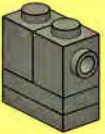
7

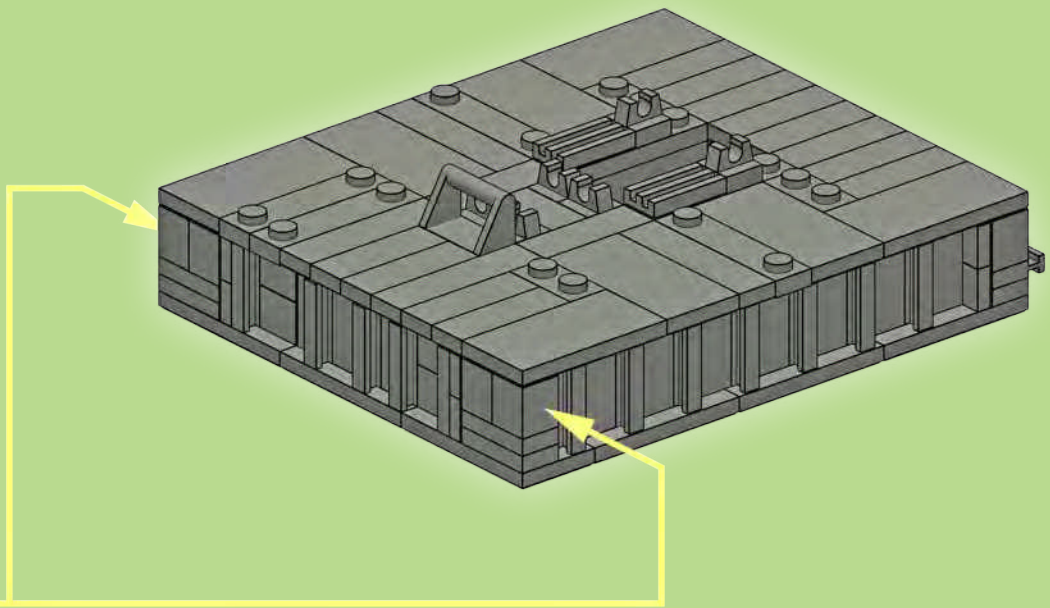
- 1 
- 2 
- 3 

- 1 
- 2 
- 3 



9

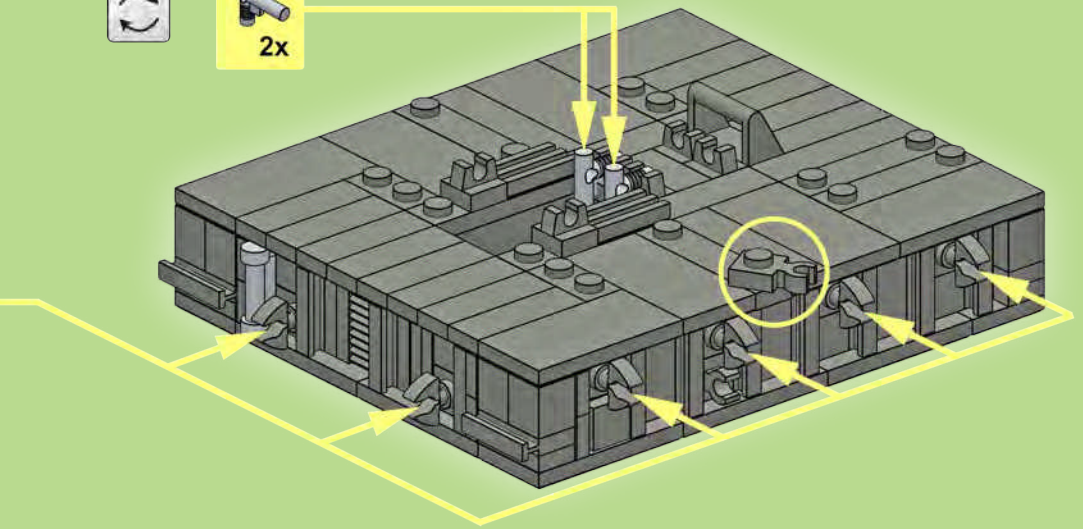
- 1 
 - 2 
 - 3 
- x2



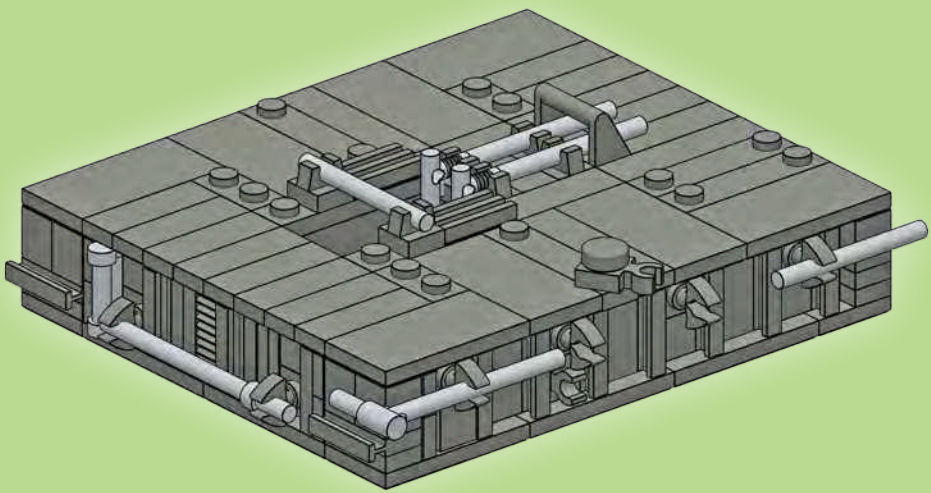
10

- 
-  2x

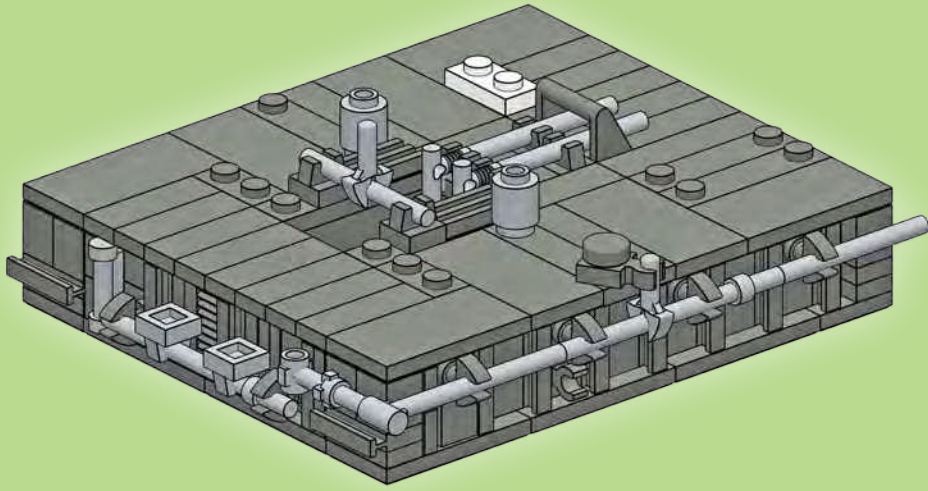
-  6x



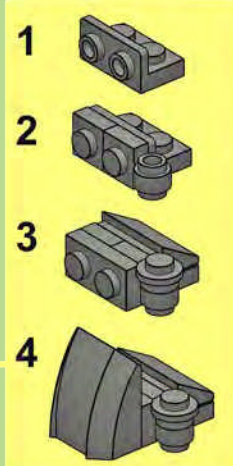
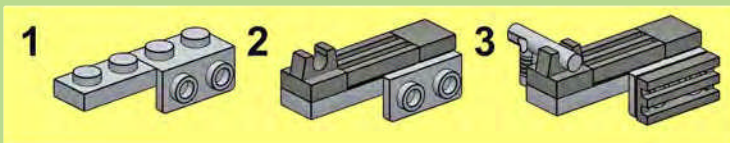
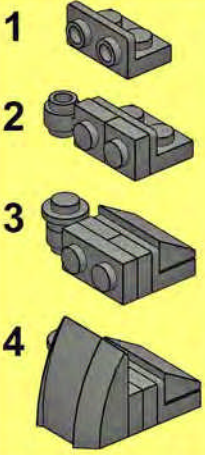
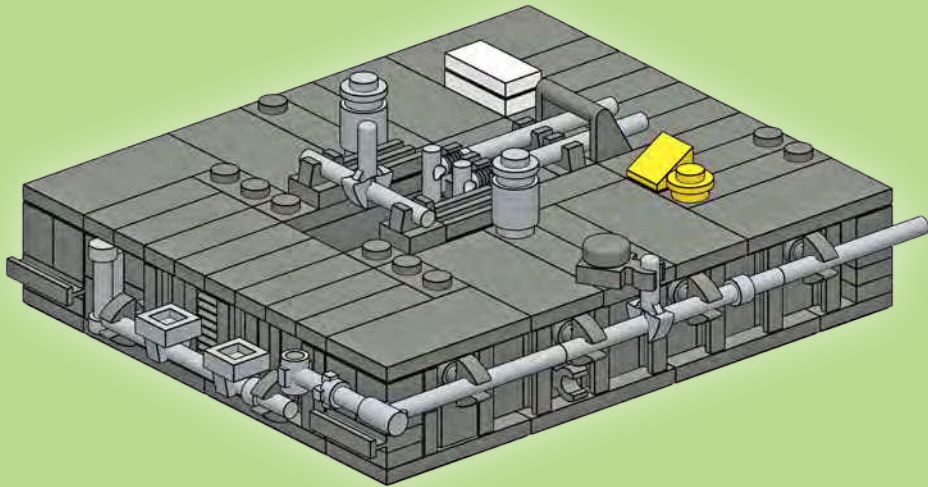
11



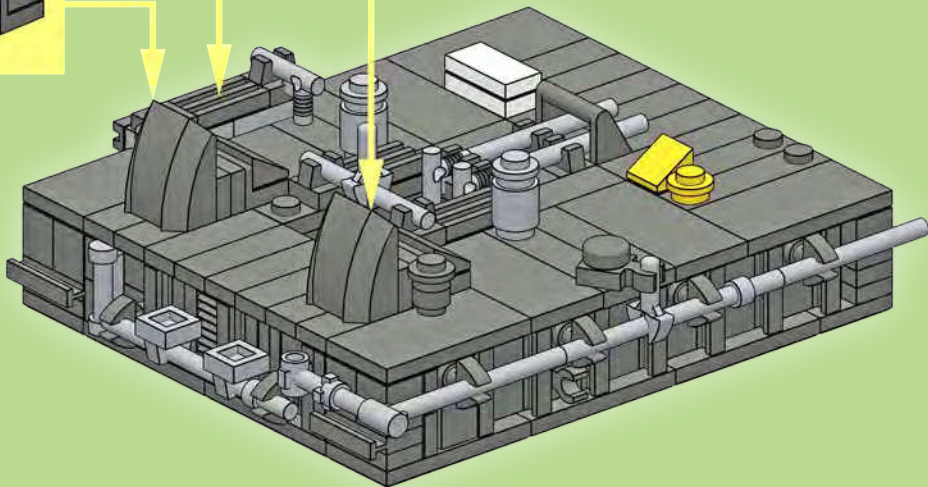
12



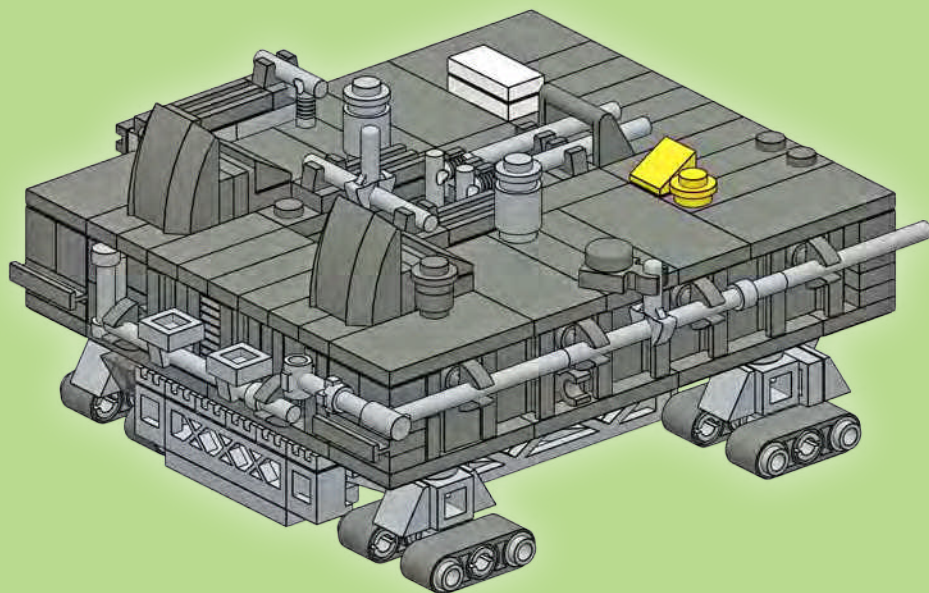
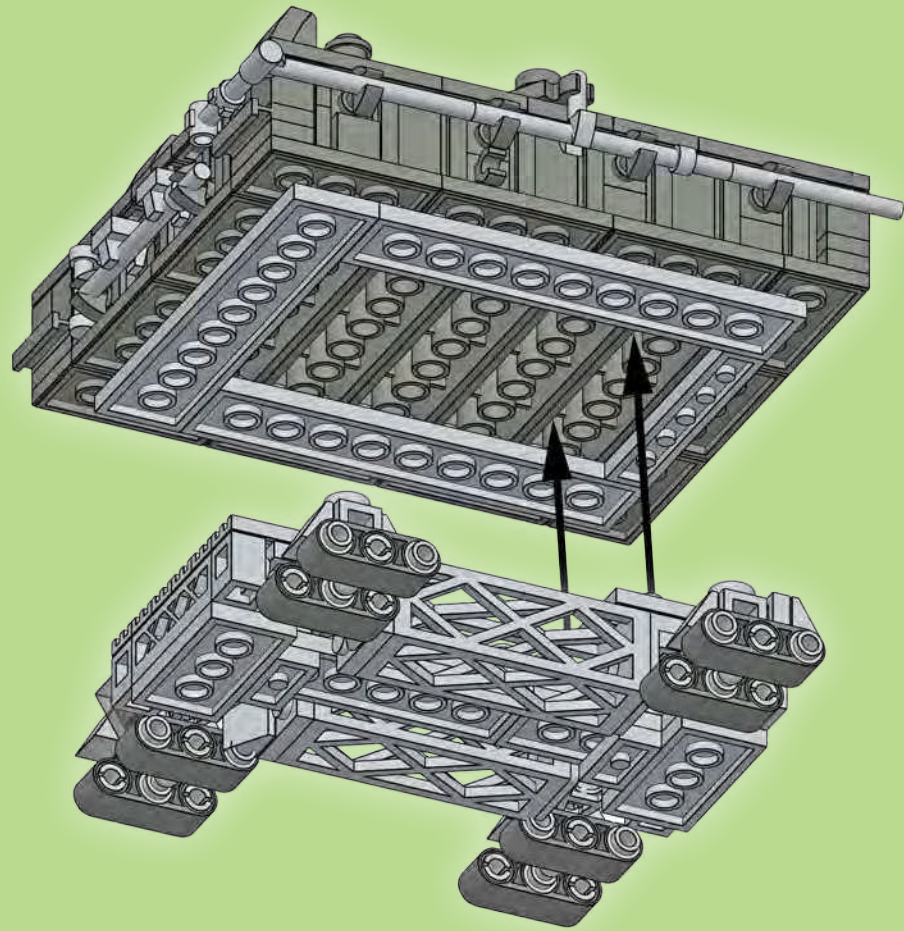
13



14



15



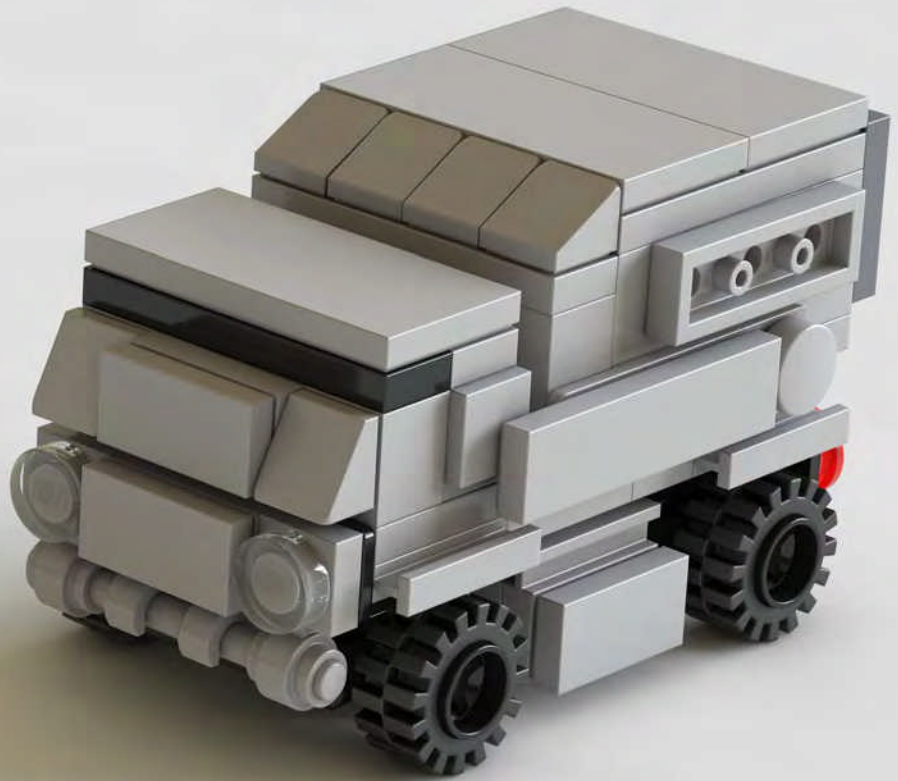




THE MOON ARMY

ARMORED CAR

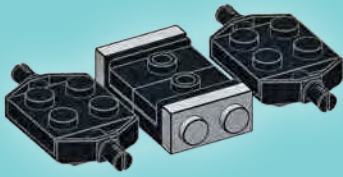
zizy



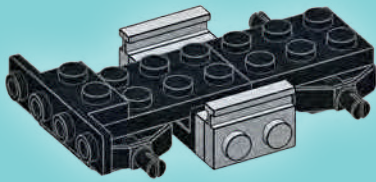
1



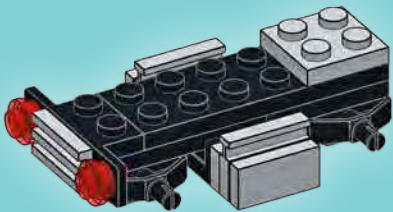
2



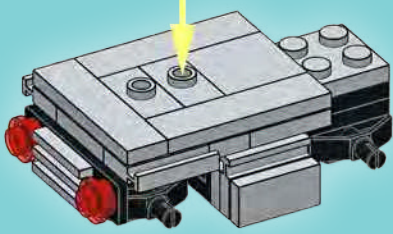
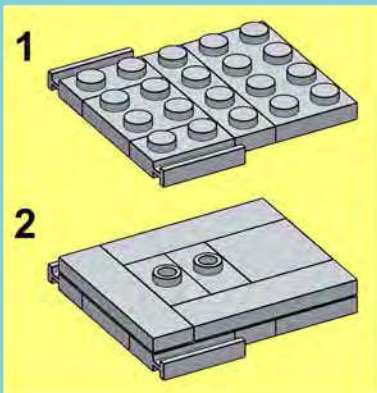
3



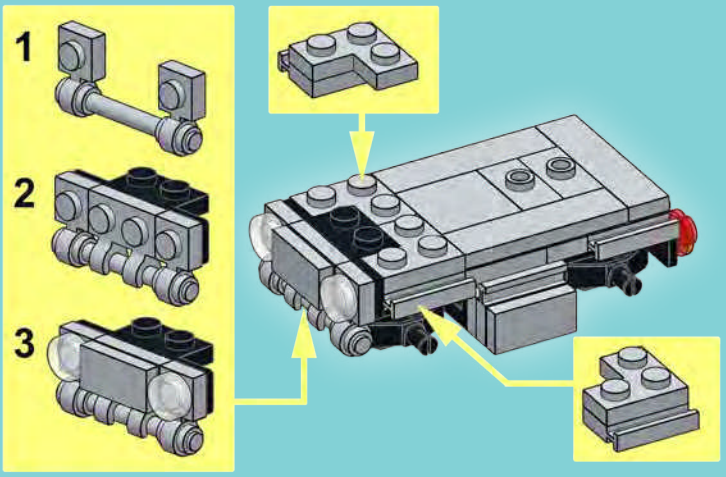
4



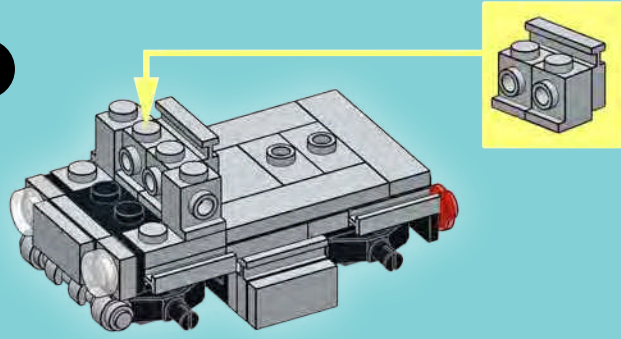
5



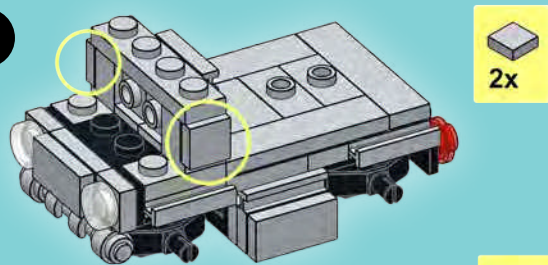
6



7

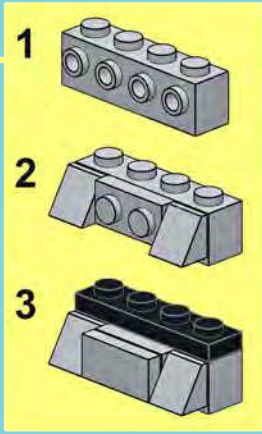
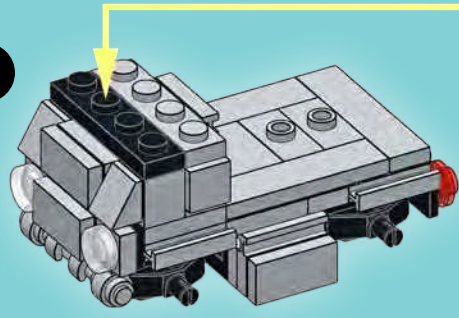


8

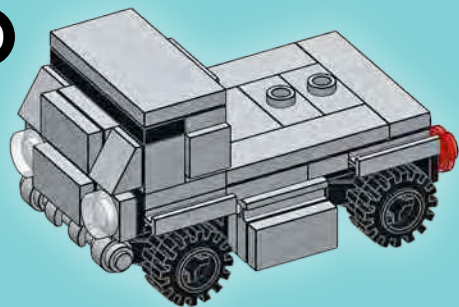


2x

9

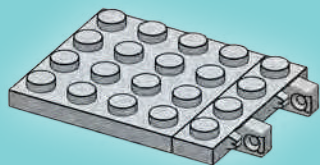


10

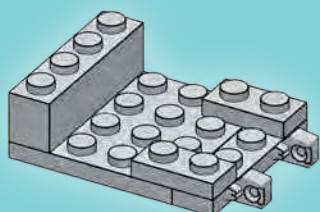


11

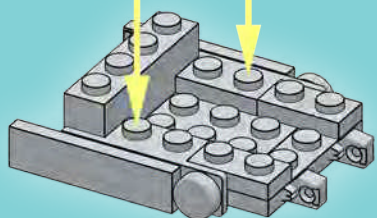
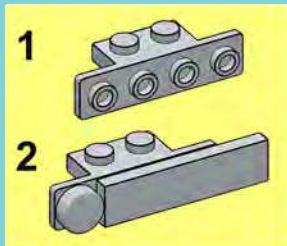
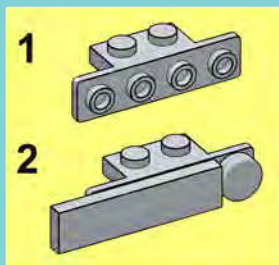
1



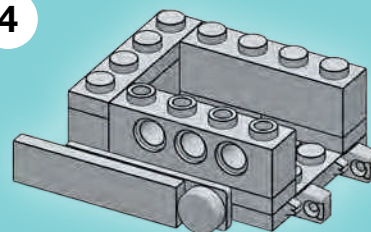
2



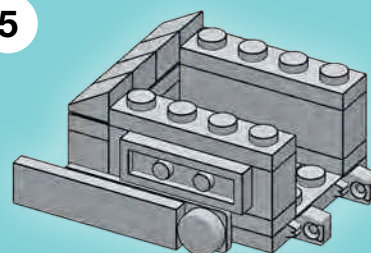
3



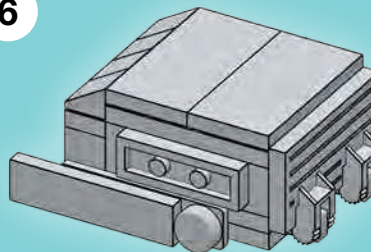
4



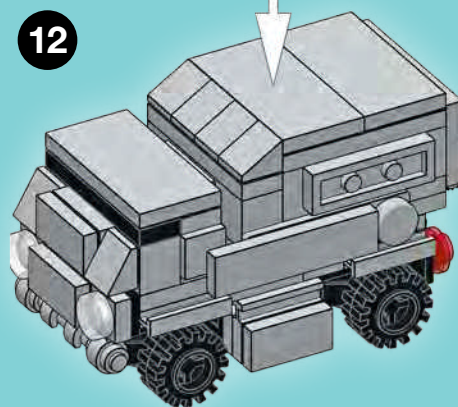
5



6

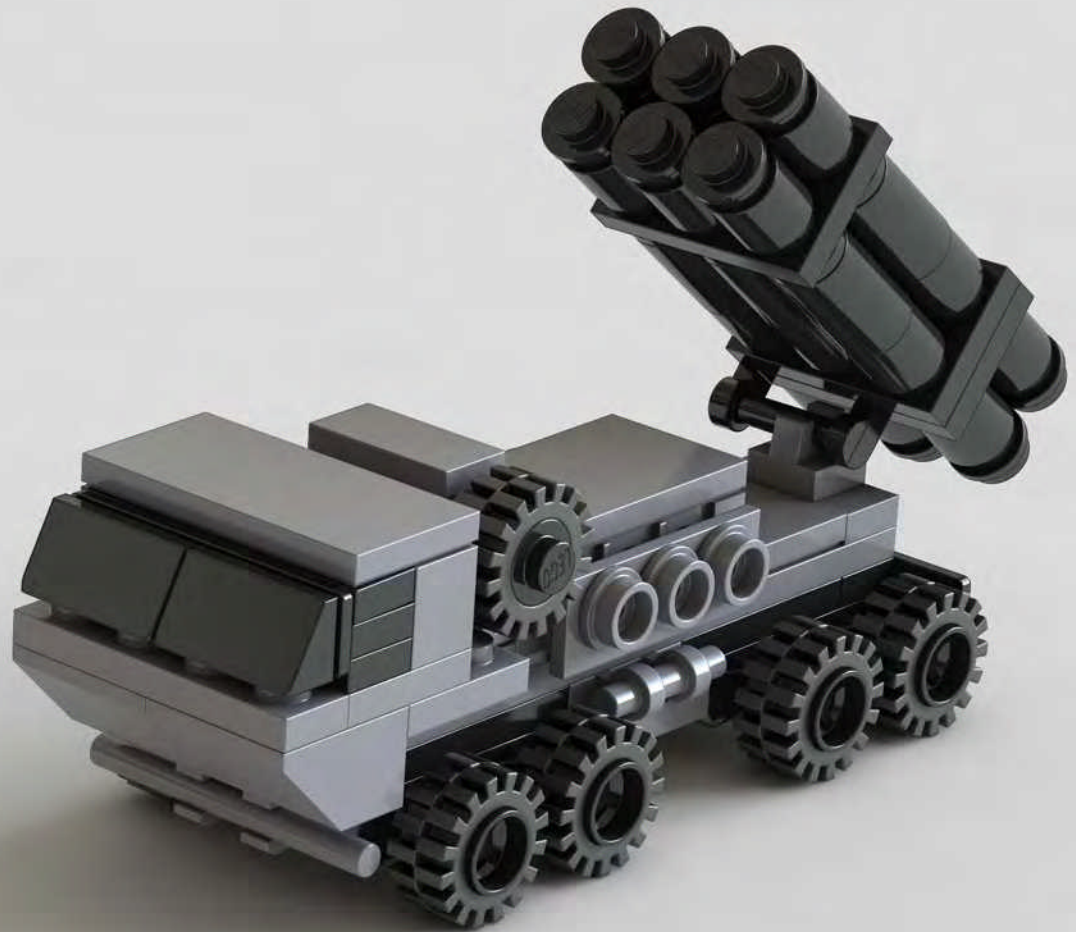


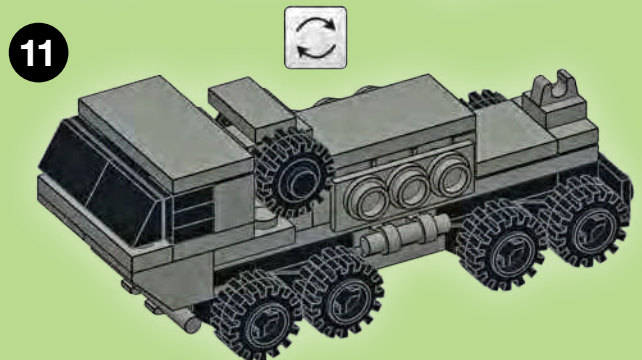
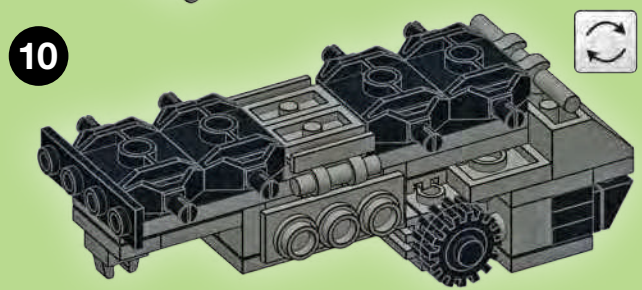
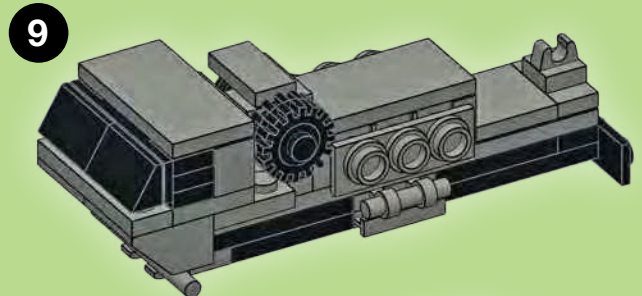
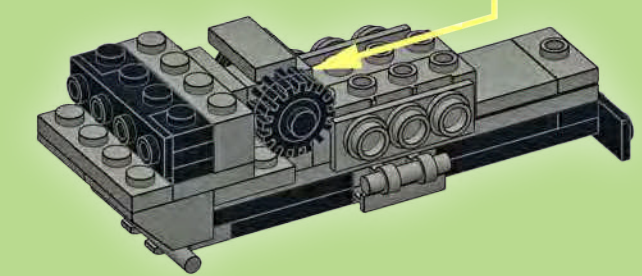
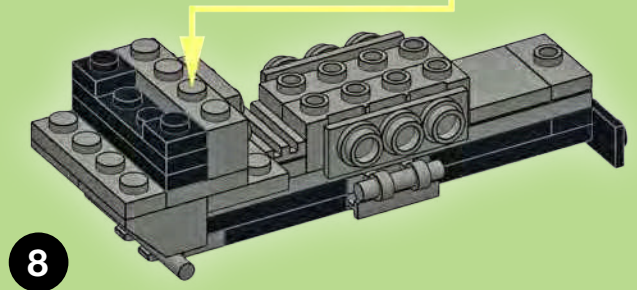
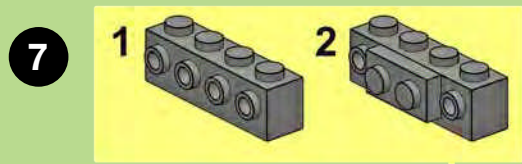
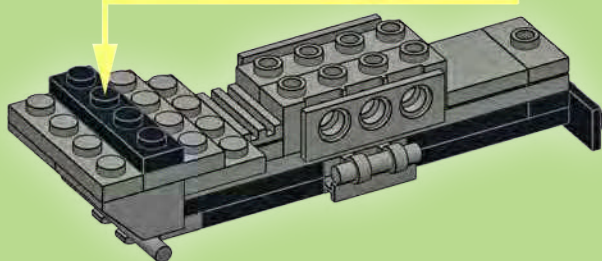
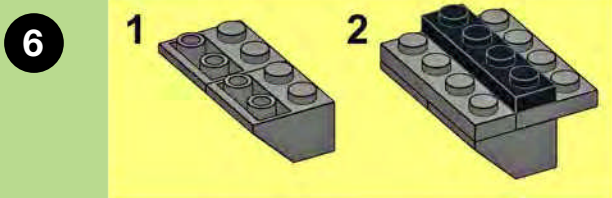
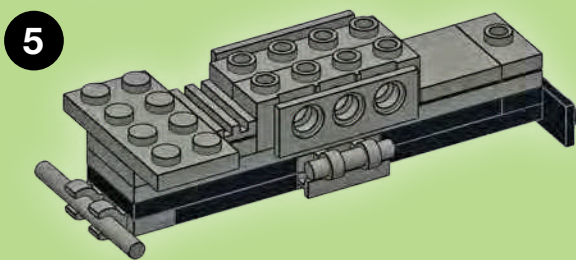
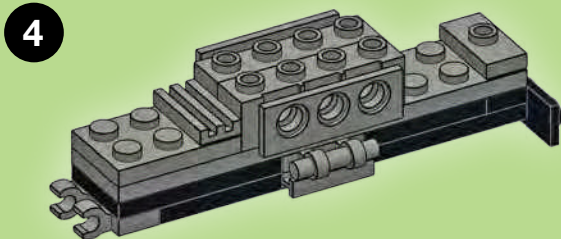
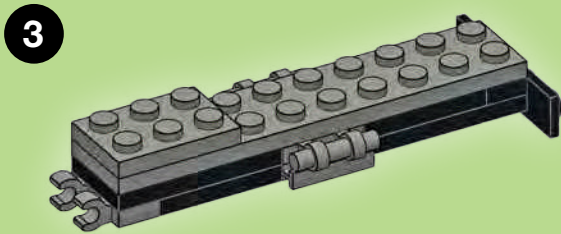
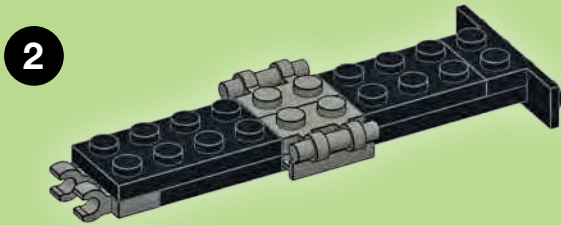
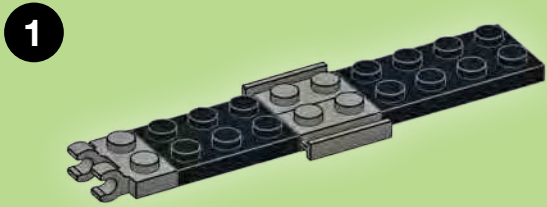
12



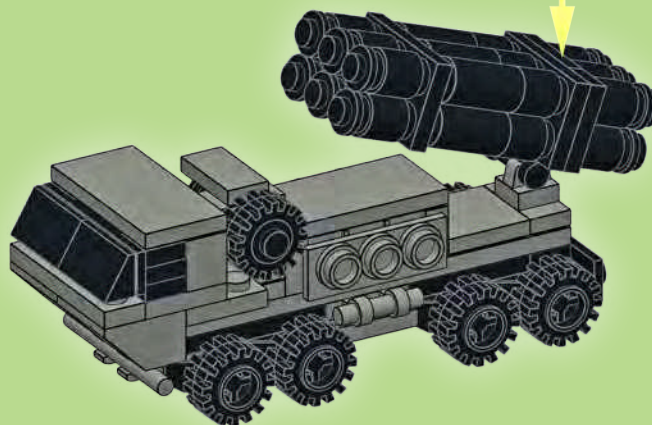
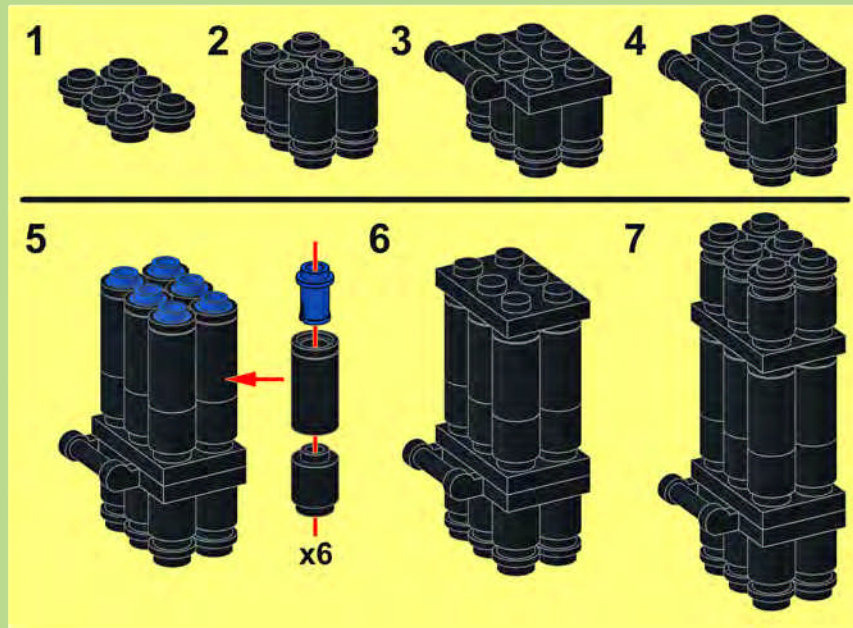
ROCKET LAUNCHER TRUCK

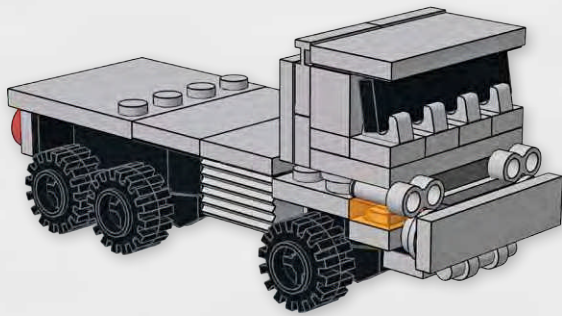
zizy



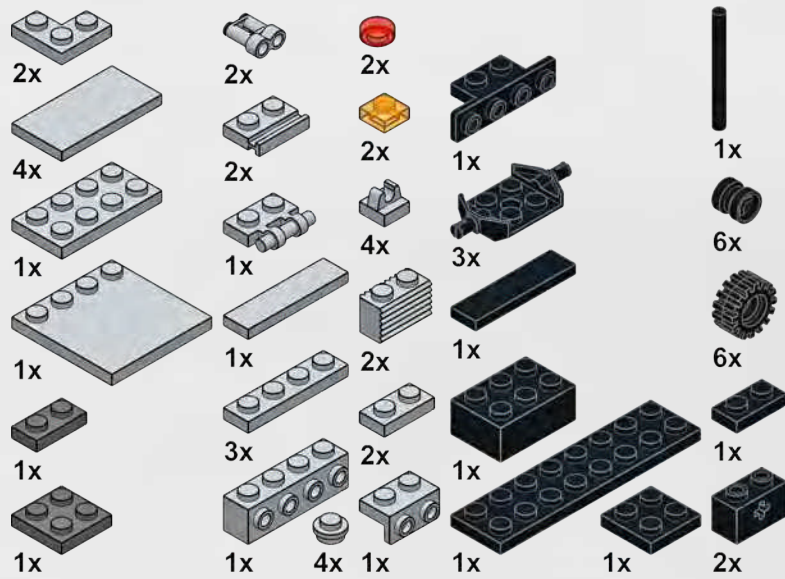


12





BILL OF MATERIALS

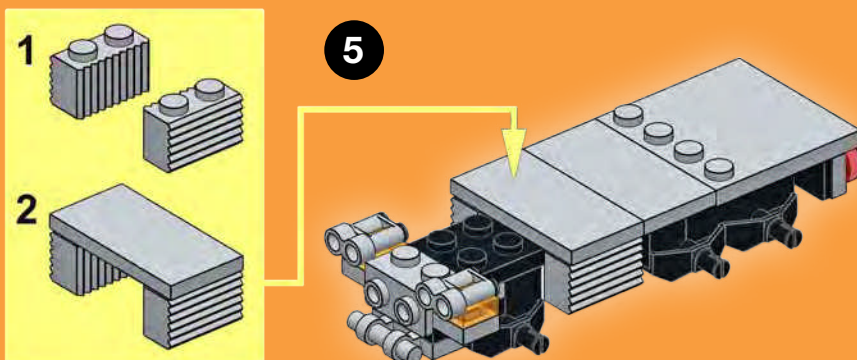
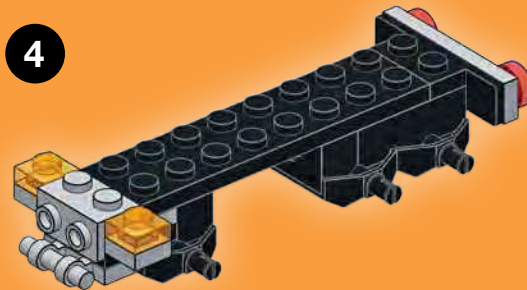
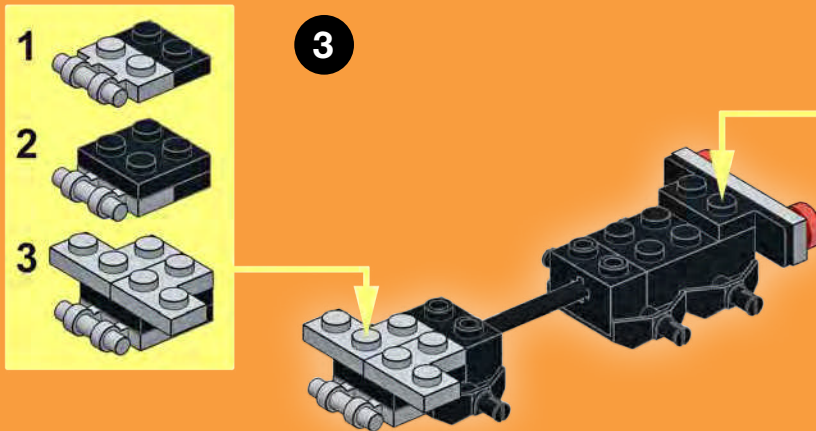
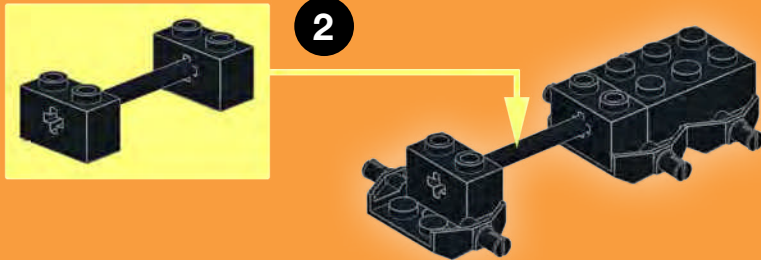
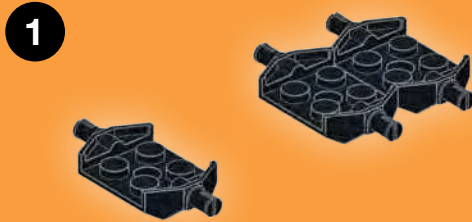


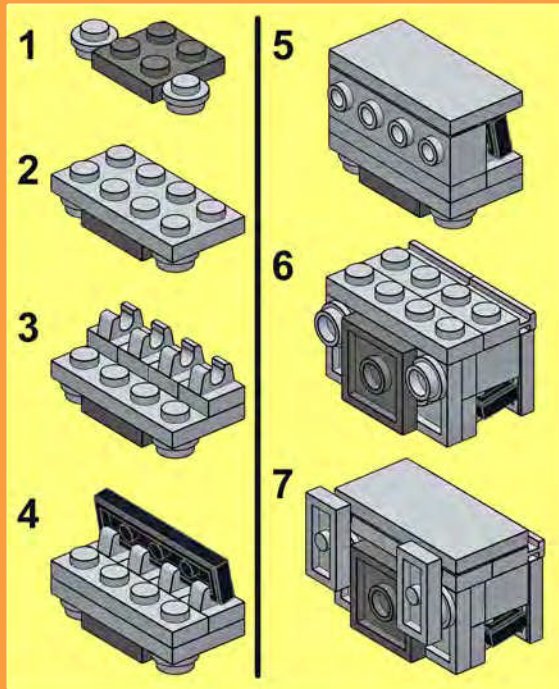
DIFFICULTY LEVEL: EASY

MILITARY FLATBED

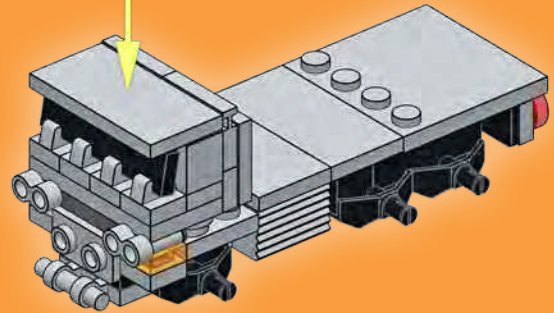
zizy



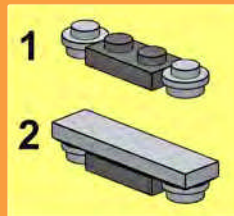
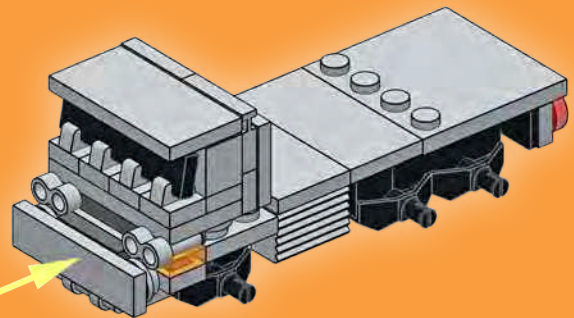




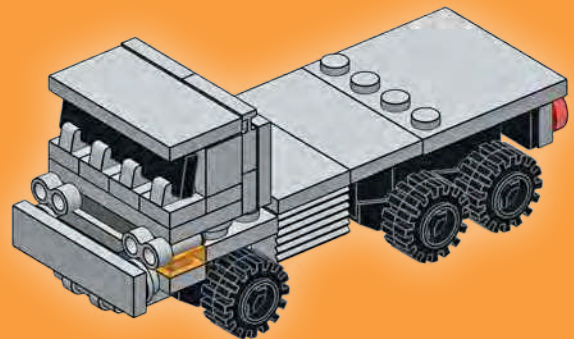
6



7



8

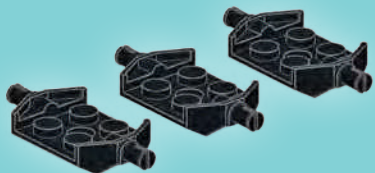


TACTICAL VEHICLE

zizy



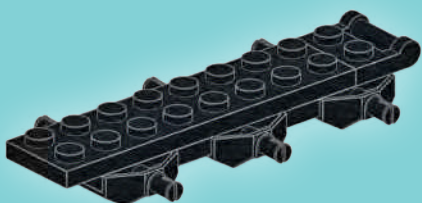
1



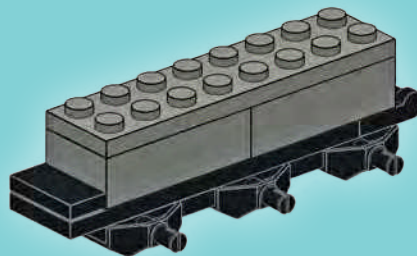
2



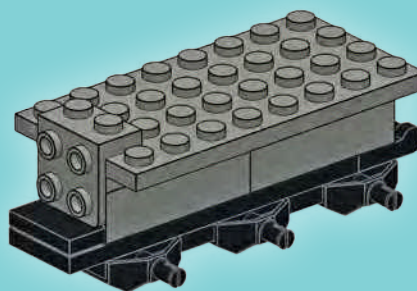
3



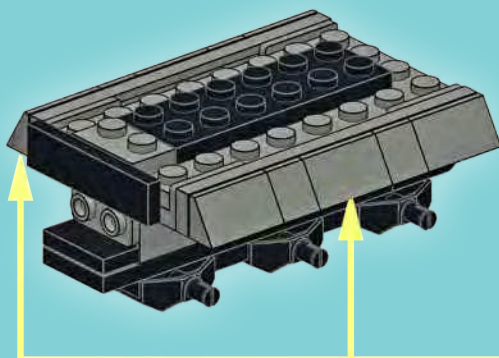
4



5



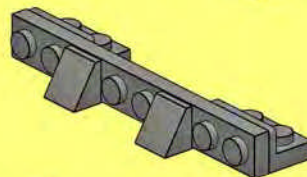
6



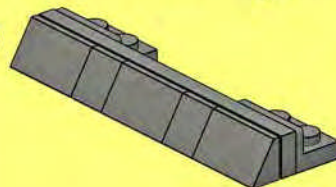
1



2

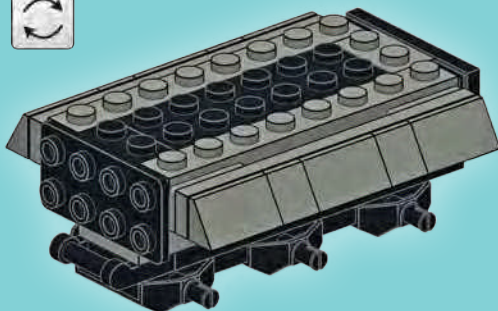


3

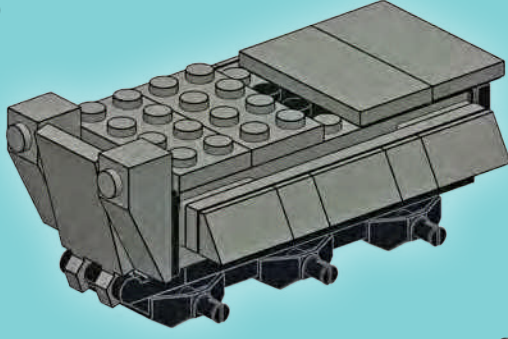


x2

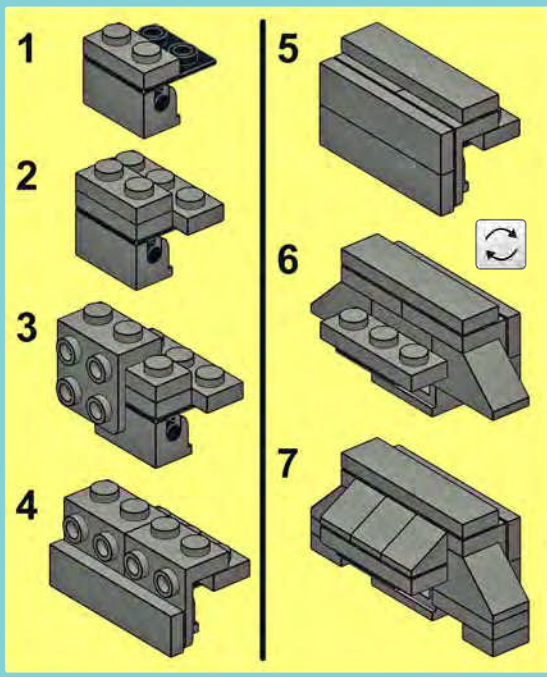
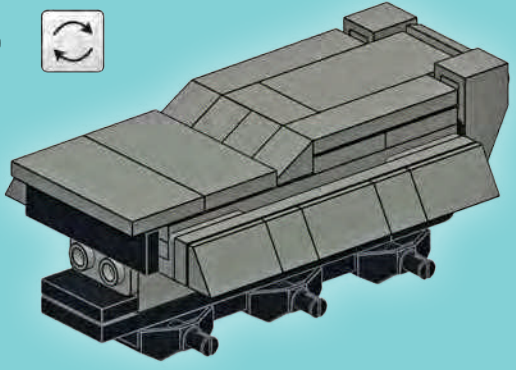
7



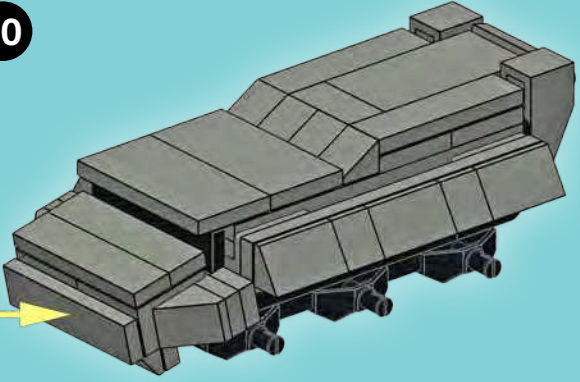
8



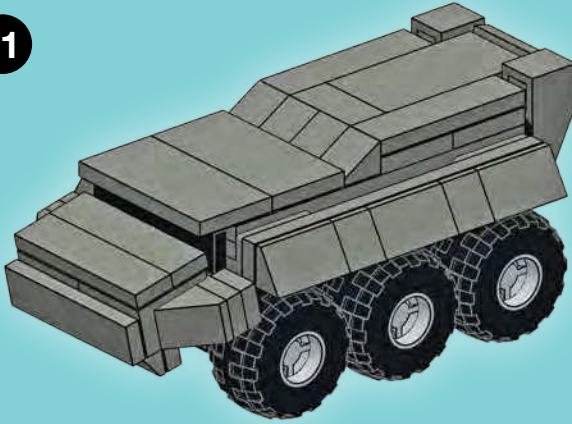
9



10



11

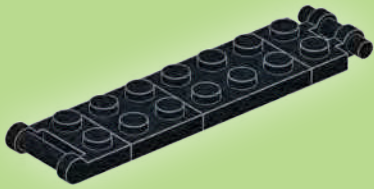


ARMORED PERSONNEL CARRIER

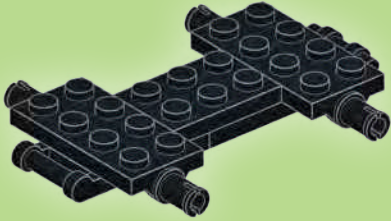
zizy



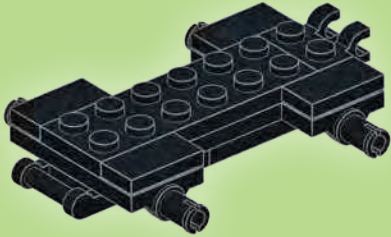
1



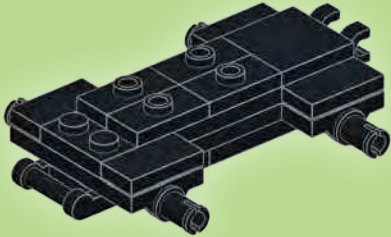
2



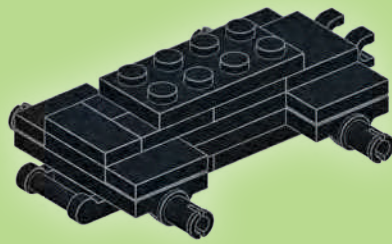
3



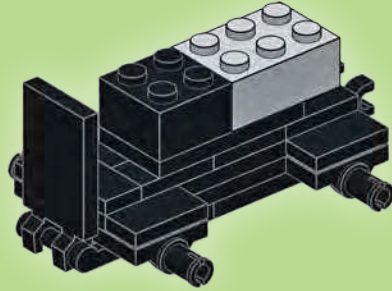
4



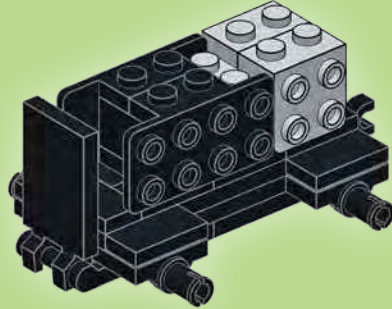
5



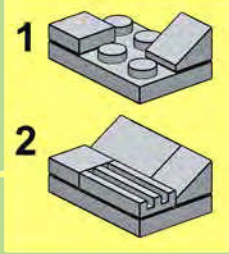
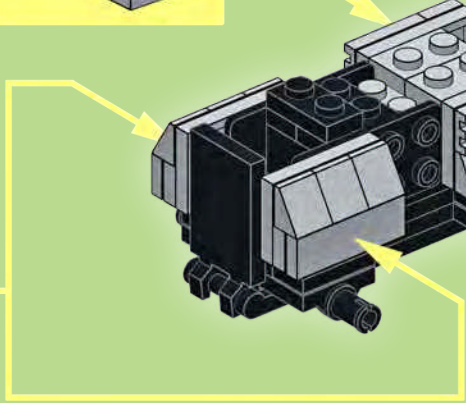
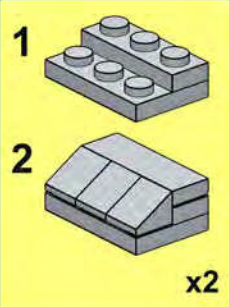
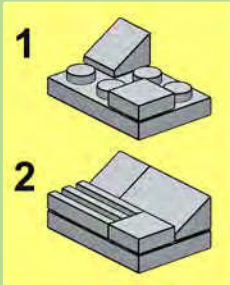
6



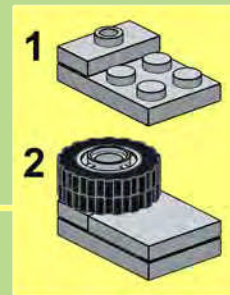
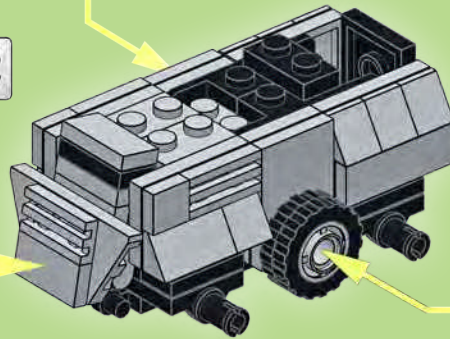
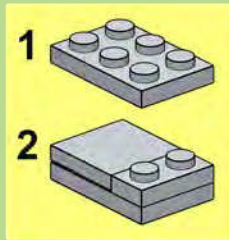
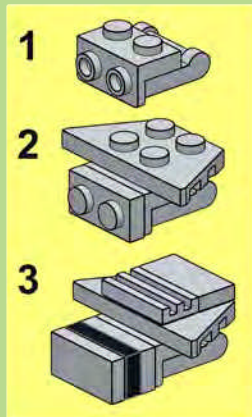
7



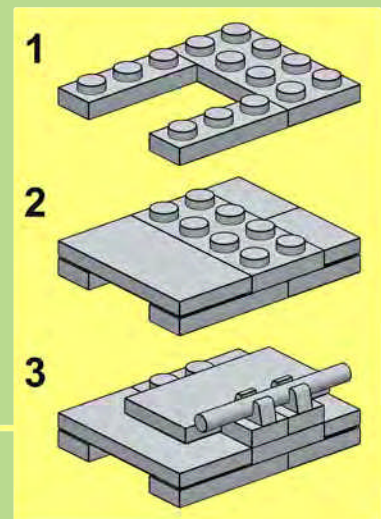
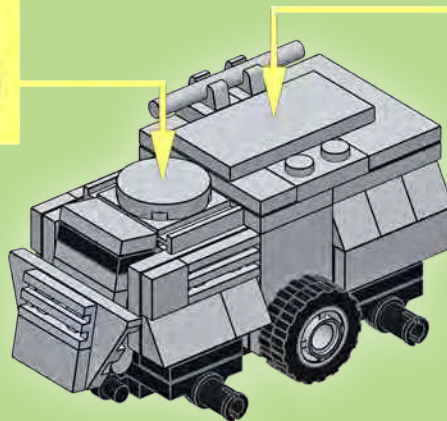
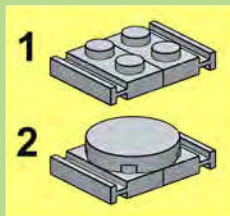
8



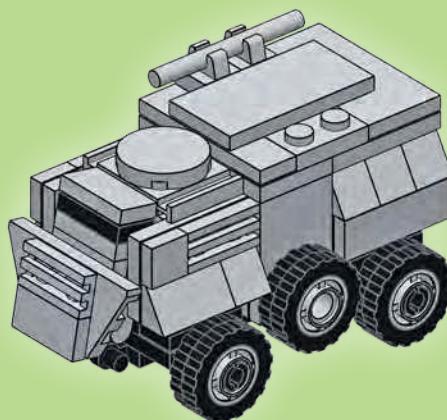
9

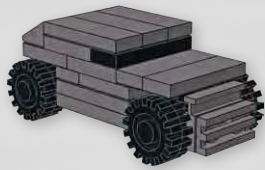


10

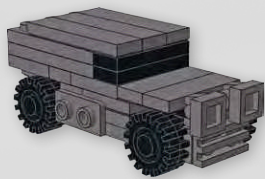
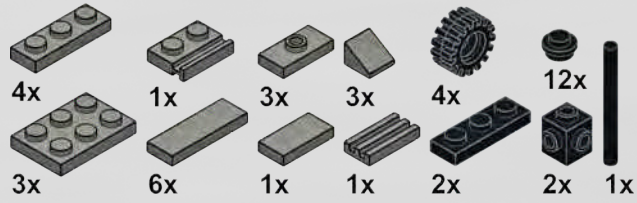


11

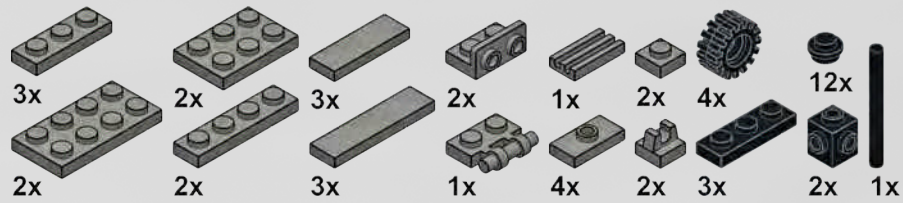




BILL OF MATERIALS



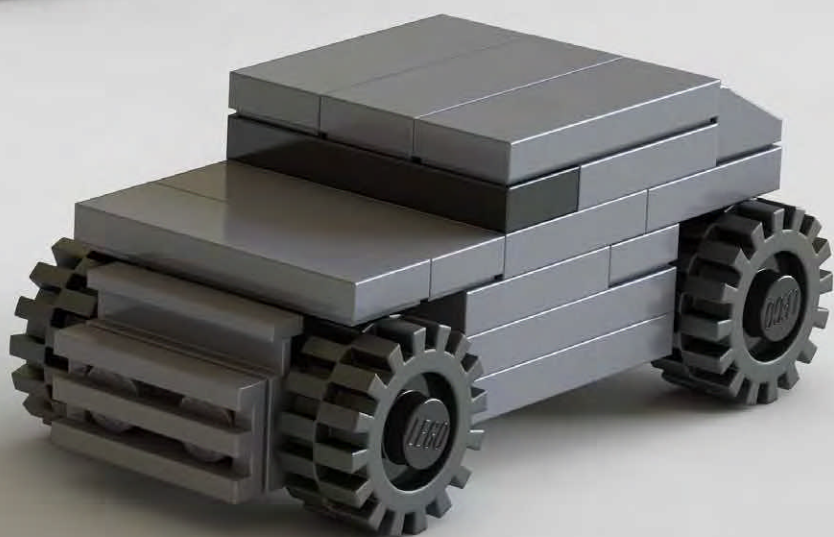
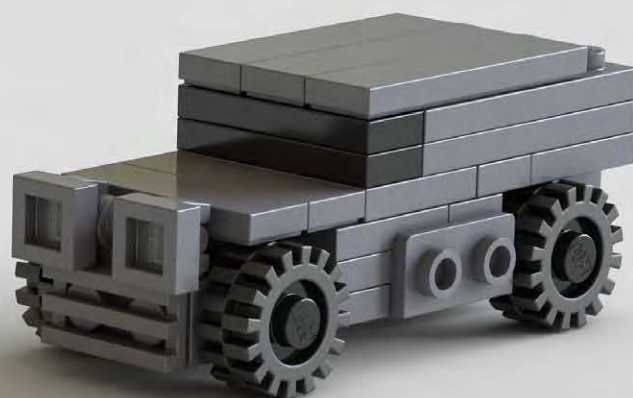
BILL OF MATERIALS

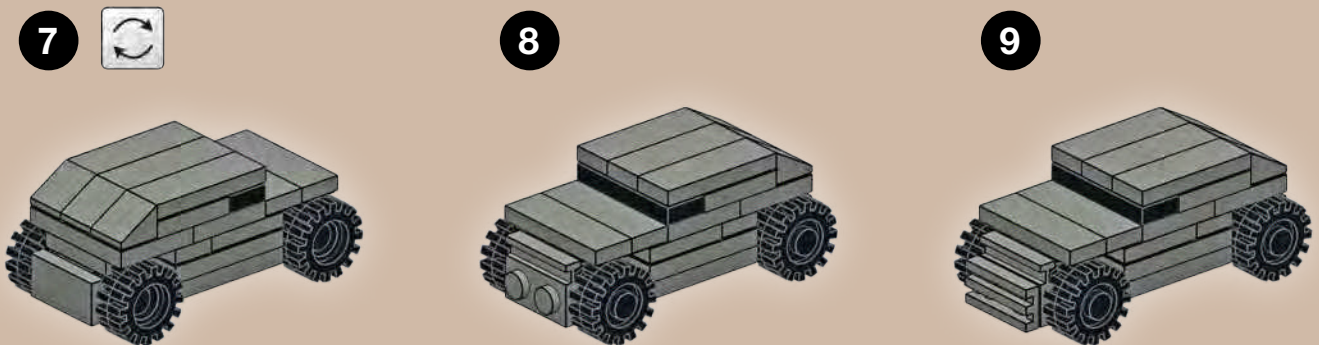
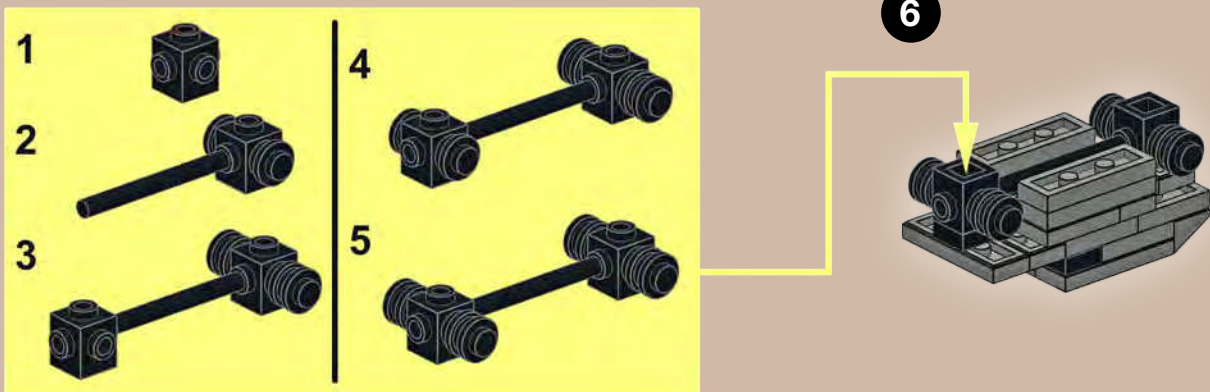
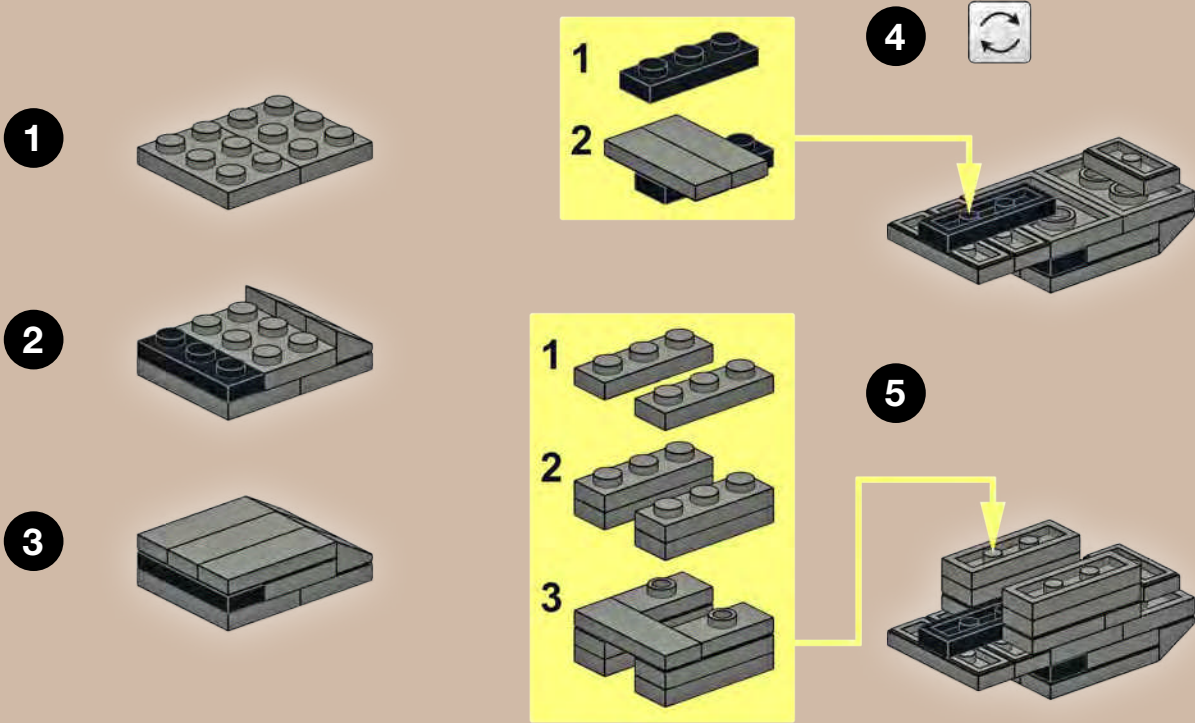


DIFFICULTY LEVEL: MEDIUM

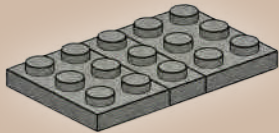
MINI JEEPS

zizy

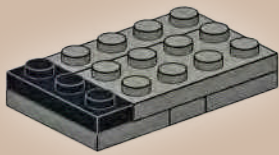




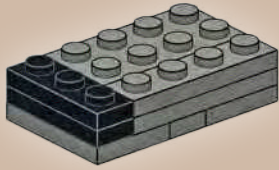
1



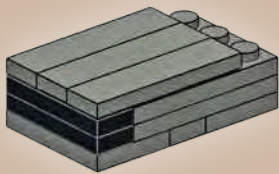
2



3



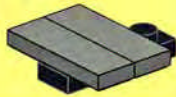
4



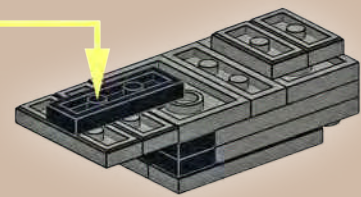
1



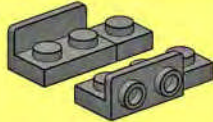
2



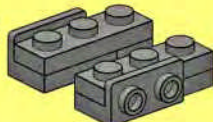
5



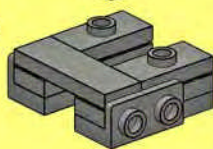
1



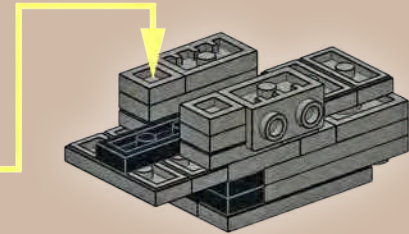
2



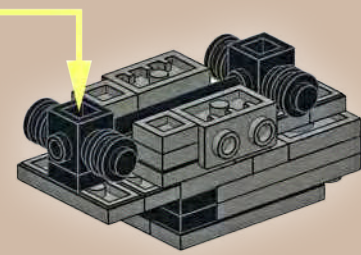
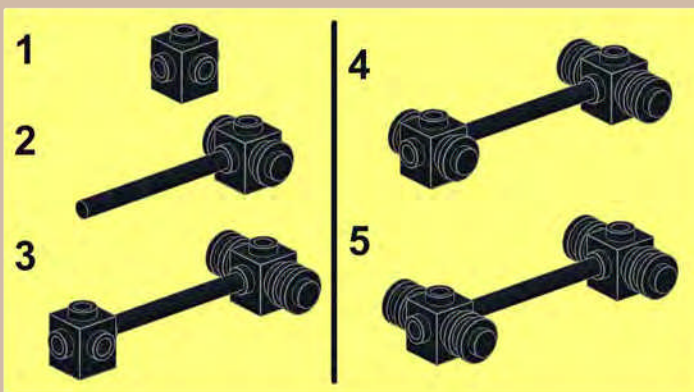
3



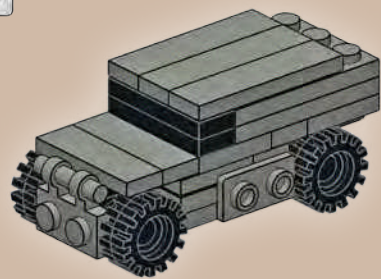
6



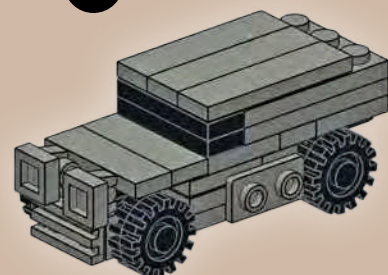
7

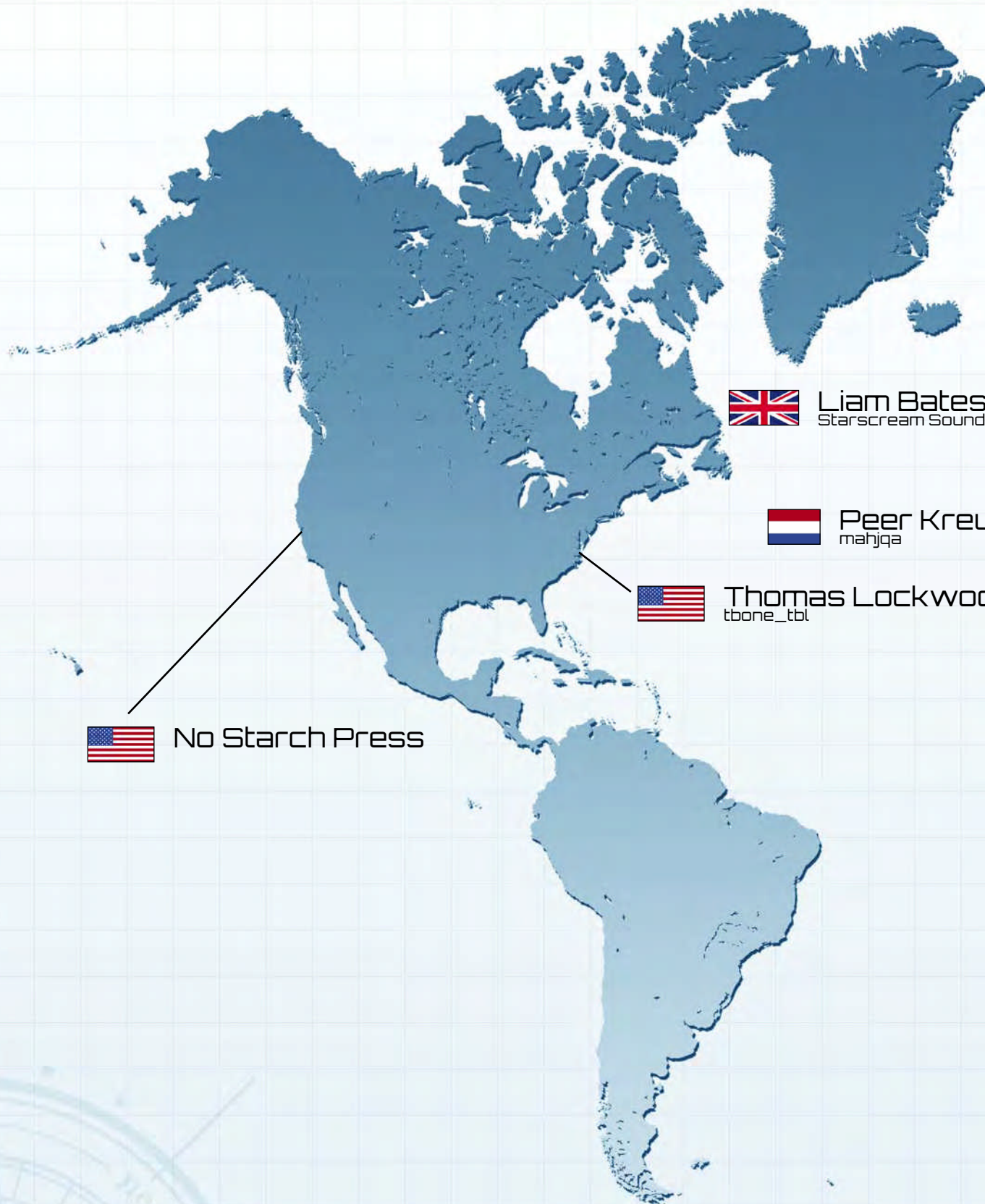


8



9





No Starch Press



Liam Bates
Starscream Soundwave



Peer Kreuger
mahqa



Thomas Lockwood
tbone_tbl



Robert Heim
Robiwan_Kenobi



Jarek Ksiazczyk
Jerac



Alexander Bugiel
Clark Taylor



Mattia Zamboni
Brickpassion



George Panteleon
ZetoVince



Matteo Ruspolillo
Teazza



Ngoc Truong
Lego 4 Life



zizy

CONTRIBUTORS

a worldwide team

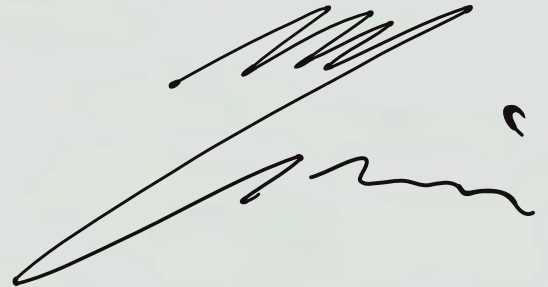


ABOUT THE AUTHOR




Mattia Zamboni is a fan of computer graphics, photography, and LEGO. He is the co-author of the *LEGO Build-It Book* series (No Starch Press), has contributed to several other LEGO books, and has been a LEGO Ambassador since 2015. He works as a researcher in the robotics lab at the University of Applied Sciences and Arts of Southern Switzerland, and in his free time, he pursues his passion for 3D computer graphics.

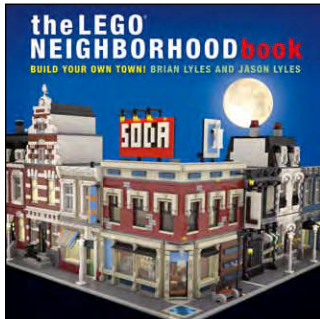
Check out his work at www.brickpassion.com.



RESOURCES

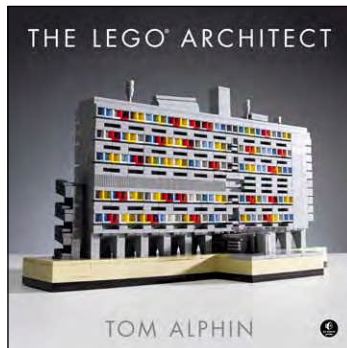
Visit <https://www.nostarch.com/tinylegowonders/> for updates, parts lists, errata, and other information.

More no-nonsense books from  **no starch press**



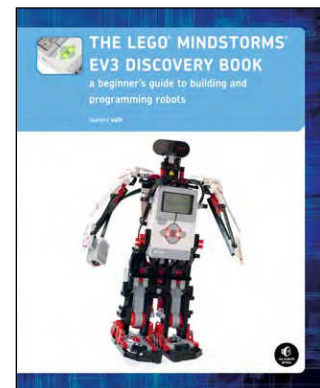
THE LEGO® NEIGHBORHOOD BOOK Build Your Own Town!

by BRIAN LYLES and JASON LYLES
SEPTEMBER 2014, 204 PP., \$19.95
ISBN 978-1-59327-571-6
full color, flexibound



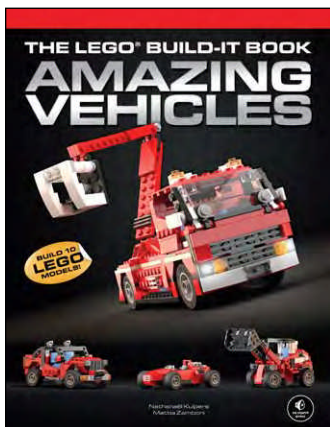
THE LEGO® ARCHITECT

by TOM ALPHIN
SEPTEMBER 2015, 192 PP., \$24.95
ISBN 978-1-59327-613-3
full color, hardcover



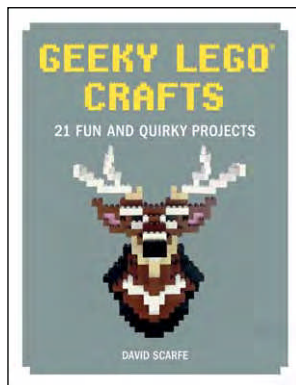
THE LEGO® MINDSTORMS® EV3 DISCOVERY BOOK A Beginner's Guide to Building and Programming Robots

by LAURENS VALK
JUNE 2014, 396 PP., \$34.95
ISBN 978-1-59327-532-7
full color



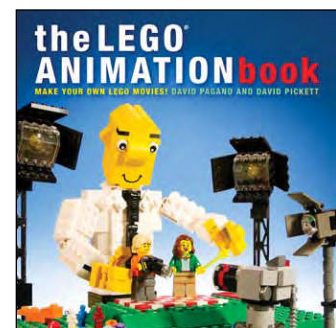
THE LEGO® BUILD-IT BOOK, VOL. 1: AMAZING VEHICLES

by NATHANAËL KUIPERS and MATTIA ZAMBONI
JULY 2013, 136 PP., \$19.95
ISBN 978-1-59327-503-7
full color



GEEKY LEGO® CRAFTS 21 Fun and Quirky Projects

by DAVID SCARFE
FALL 2016, 128 PP., \$19.95
ISBN 978-1-59327-767-3
full color, hardcover



THE LEGO® ANIMATION BOOK Make Your Own LEGO Movies!

by DAVID PAGANO and DAVID PICKETT
FALL 2016, 232 PP., \$19.95
ISBN 978-1-59327-741-3
full color, flexibound

Visit <https://nostarch.com/catalog/lego/> for a full list of titles.

phone: 800.420.7240 or 415.863.9900 | sales@nostarch.com | www.nostarch.com

BUILD A LOT WITH A LITTLE

In this step-by-step guide, you'll learn how to build 40 miniature models of race cars, airplanes, ships, trains, and more. These fun, compact designs will

inspire you to get creative with as few as nine LEGO® pieces. Imagine what you can build with just a handful of LEGO bricks—almost anything!



**BUILD
40
MODELS**



THE FINEST IN GEEK ENTERTAINMENT™
www.nostarch.com

This book is not authorized or endorsed by the LEGO Group.

ISBN: 978-1-59327-735-2



\$19.95 (\$22.95 CDN)



Shelve in:
Hobbies/LEGO

AGES 9 AND UP